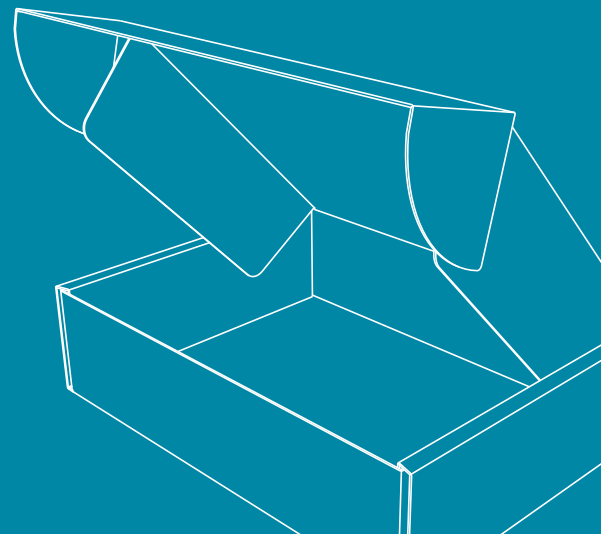
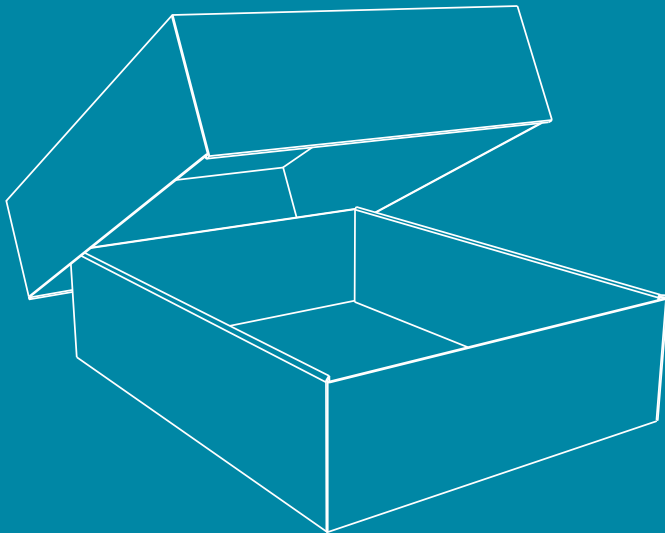
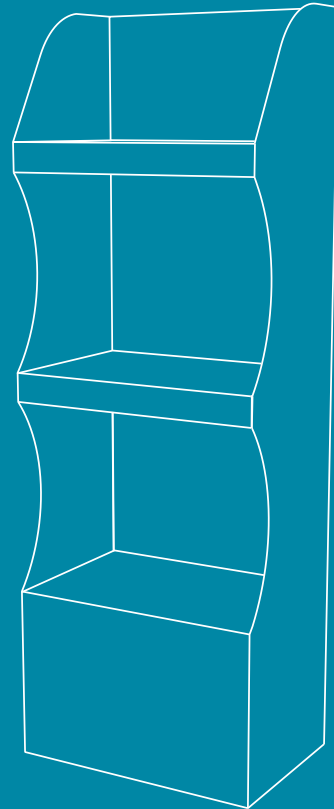
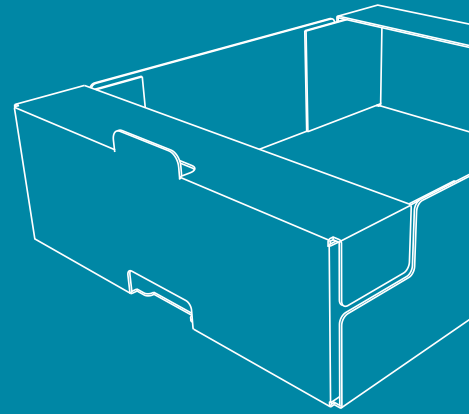


# FEFCO CODE

© 2022, 12<sup>TH</sup> EDITION



**DESIGN STYLE LIBRARY  
FOR CORRUGATED BOARD PRODUCTS**

**FEFCO**  
Corrugated Packaging

The FEFCO code is the internationally recognised system for the classification of corrugated board packaging designs. It contains designs of the most common box types with a code number attached to each design, simplifying the identification process.

## **PUBLISHED BY FEFCO**

Avenue Louise 250  
1050 – Brussels  
Belgium  
[www.fefco.org](http://www.fefco.org)

Adopted by ICCA,  
the International Corrugated Case Association,  
with its worldwide membership.  
[www.iccanet.org](http://www.iccanet.org)

# CONTENT

<b>FEFCO Code – Design style library for corrugated board products</b>	4
<b>List of NEW designs</b>	8
<b>0100</b> Commercial rolls and sheets	9
<b>0200</b> Slotted boxes	15
<b>0300</b> Telescopic boxes	30
<b>0400</b> Folder boxes and trays	41
<b>0500</b> Slide boxes	74
<b>0600</b> Rigid boxes	80
<b>0700</b> Ready-glued cases	86
<b>0800</b> Retail and e-commerce packaging	103
<b>0900</b> Interior fitments	123

## INTERACTIVE PDF

The digital version of this document has interactive links to help locate the right design quickly. Use the table of contents to get to each code series, by clicking the miniature image (s) in the overview.

The small Fefco logo on each page will lead back to the content page.  
The number in the top right corner will lead back to the code overview.

# FEFCO Code – Design style library for corrugated board products

The first Code was developed in the 1960's by FEFCO and ESBO (formerly ASSCO) as a numerical code system for corrugated boxes to avoid confusion when communicating in different languages. This is the 12th edition of the Code, extended with new developments.

As corrugated boxes continuously develop it is impossible to describe all of them in this catalogue. Other styles, together with custom designs to meet specific requirements, are always possible.



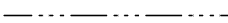
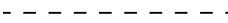

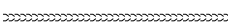
References to this Code may be used in orders, specifications or publications. Any additions or modifications are allowed only through FEFCO.

The dimensions L, W, H and v are specified in each description of the case construction, for some designs the numerical value of W can exceed the numerical value of L. Dimensions should be measured under standard climatic conditions (23°C and 50 % RH according to the standard EN 20187), on the flat blank from the centre of crease bearing the thickness of the material in mind.

For cases with overlapping outer flaps the length of the area of overlapping (o) should be given as a fourth measurement after an oblique stroke, i.e.

**355 x 205 x 120/40 mm**  
**(L) (W) (H) (o)**

## SYMBOLS USED IN DRAWINGS AND COMPUTER SYSTEMS

DRAWING SYMBOL CUTS, SCORES, SLITS ETC.	DESCRIPTION
	contours of erected cases or cutting lines of case blanks
	crease lines
	partial cut lines
	perforation lines
	tape lines
	tearaway lines

## CASE DIMENSIONS

All dimensions are expressed as internal dimensions in mm as follows:

**Length (L) x Width (W) x Height (H)**

**Length (L):** Longer dimension at the opening

**Width (W):** Shorter dimension at the opening

**Height (H):** Dimension from the top of the opening to the base

**Variable (v):** A variable dimension defined by the design attributes

## SHEET DIMENSIONS

Unless otherwise specified, the dimensions of a corrugated sheet are expressed in mm as follows:

**1st dimension x 2nd dimension**  
**1st dimension – along the flute glue lines**  
**2nd dimension – across the flute glue lines**

## STYLE VERSIONS

Several case types may have derived versions without the necessity to create a new style. In this case a suffix should be added to the basic style number, separated by a dot.

Example: **0201.2**

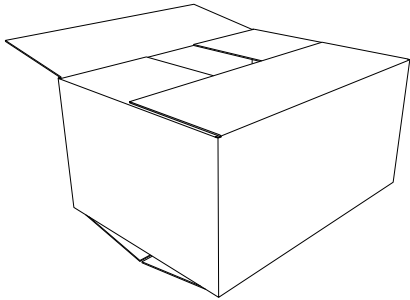
A version may be unique to individual manufacturers.

## STYLES AND THE MANUFACTURERS JOINT

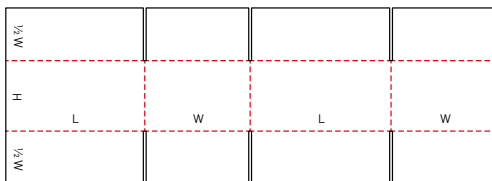
The drawing style layouts as shown in this Code may need to be rearranged depending on the manufacturer's chosen joint. Some styles may have a manufacturer's joint which may be glued, stitched or taped. A glued or stitched joint may have an extension to either the short or the long panel. The standard suffix can be added to the code name to determine "G" for glued and "S" for stitched box, e.g. 0201-G.

Panel configurations may be visualized in alternate ways to suit manufacturing capability. Jointing seams may be positioned on the left or right hand side of any style, which may be a long or short panel. Any jointing panel may be extended above and/or below the standard depth configuration of a jointed style.

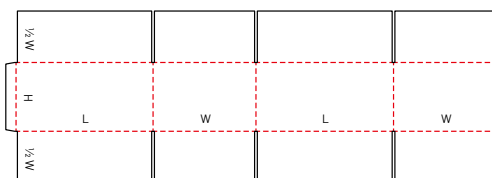
Example: **0201**



Taped joint



Glued or stitched joint



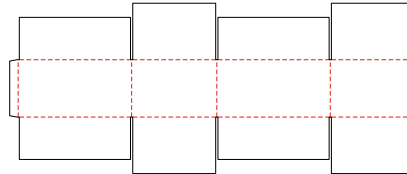
This applies to all designs in this Code.

## COMBINATIONS OF STYLES

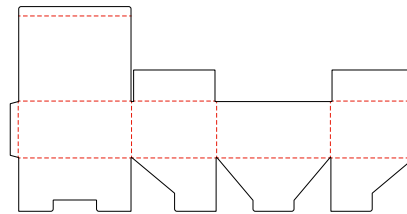
The construction styles shown are of the basic types of corrugated cases. If the ultimate construction is a combination of two or three basic models, e.g. flap arrangements, they may also be described as follows:

Top flaps as 0204, Bottom flaps as 0215

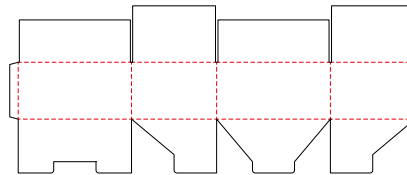
**0204**



**0215**



**0204/0215**



This type may also be described as 0204/0215 (Top flaps/Bottom flaps).

## MANUAL OR AUTOMATED ERECTION

Each design style includes one of the following indications:

- M:** usually manual erection
- A:** usually automated erection
- M/A:** can be either manual or automated erection

These indications are based on current practice and are intended to give additional information for specifications and users. Some manually erected cases can be closed automatically (e.g. 0216 or 0712).

# Description of the basic style series

THE TERMS BOX, CONTAINER AND CASE ARE INTERCHANGEABLE

## GENERAL REMARK

Please note, that several case designs contained in the Code under a specific number could also be classified under other basic style series.

### 01 - Commercial rolls and sheets

### 02 - Slotted boxes

Slotted boxes consist of basically one piece with a glued, stitched or taped manufacturers joint and top and bottom flaps. They are shipped flat, ready to use and require closing using the flaps provided.

### 03 - Telescopic boxes

Telescopic boxes usually consist of more than one piece (e.g. top and bottom) and they fit over each other.

### 04 - Folder boxes and trays

Folder boxes and trays are usually made from one piece of board. The bottom of the box is hinged to form two or all side walls and the cover. Locking tabs, handles, display panels, etc. can be incorporated in some designs.

### 05 - Slide boxes

Slide boxes consist of several pieces of liners and sleeves sliding in different directions into each other. This group also includes outside sleeves for other cases.

### 06 - Rigid boxes

Rigid boxes consist of two separate end pieces and a body that require stitching or a similar operation before they can be used.

### 07 - Ready-glued cases

Ready-glued cases consist of basically one piece, are shipped flat and ready to use by simple assembly.

### 08 - Retail and e-commerce packaging

Retail and e-commerce packaging category shows the typical styles used for Point of Sale (POS) displays and trays as well as styles for the online trade.

### 09 - Interior fitments

Interior fitments such as inside liners, pads, partitions, dividers, etc. whether integrated in the box design or as separate items. Any shown number of panels is arbitrary and may be increased or decreased as required.

## WRITING OF THE STYLE CODE

### FULL CODE: XXXX.XXXX

STYLE XXXX	STYLE VERSION .XXXX
The standard recognised shape/design from this code.	The version number to differentiate the variation from the standard design (corresponding to an individual drawing or CAD/CAM library).

# Closure of boxes

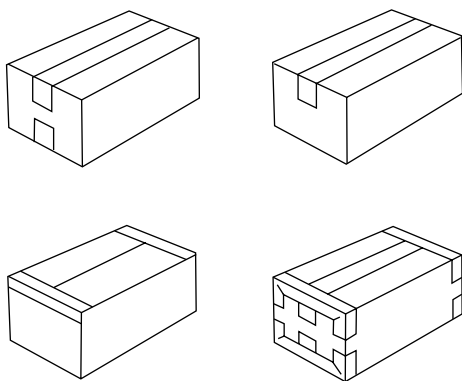
Correct and effective closure of the packaging is as important as the packaging construction itself.

The following methods of closures are possible either singly or in combination:

- by gluing, cold or hot
- by taping
- by interlocking
- by stitching

## CLOSING BY TAPING

This can be done according to the examples shown.



## CLOSING BY STITCHING

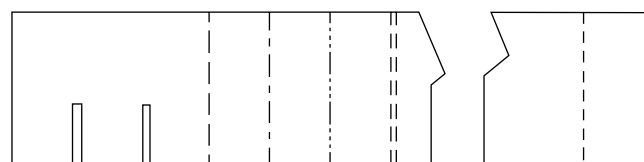
This can be done according to the examples shown.



# Coding of interior fitments

The following range of interior fitments can be coded depending on the number of panels used, in any combination of shapes (for computer systems).

NUMBER OF PANELS		CODE
2	>	0982
3	>	0983
4	>	0984
5	>	0985
6	>	0986
7	>	0987
8	>	0988
9	>	0989
10	>	0990
11	>	0991
12	>	0992
13	>	0993
14	>	0994
15	>	0995
16	>	0996
17	>	0997
18	>	0998
19	>	0999



0982/0999

M

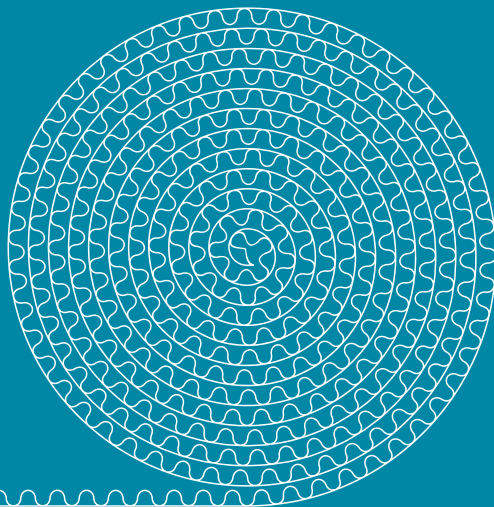
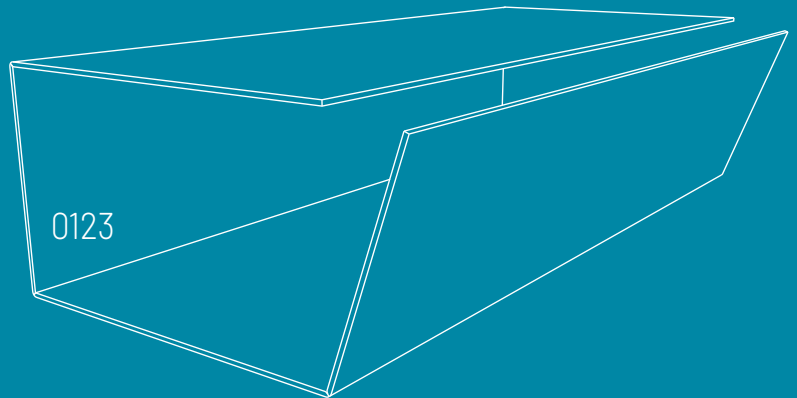
# List of NEW designs

---

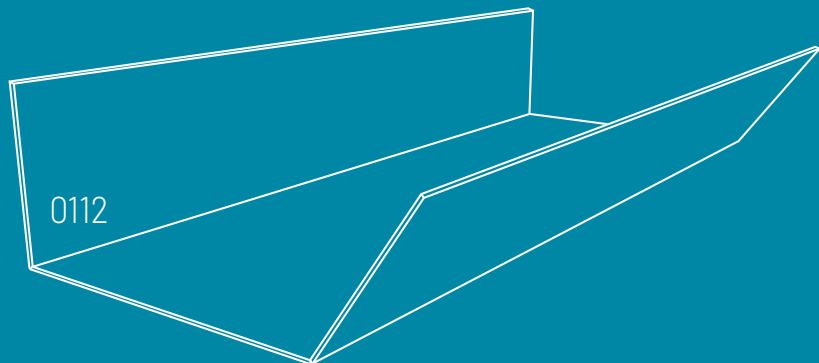
<u>100</u>	<u>200</u>	<u>300</u>	<u>400</u>	<u>700</u>	<u>800</u>	<u>900</u>	
0111	0219	0319	0407	0702	0801	0853	0912
0112	0220	0360	0414	0704	0802	0854	0936
0113	0221		0418	0705	0803	0858	0937
0119	0222		0425.1	0706	0804	0859	0938
0121	0229.1		0427.1	0707	0808	0860	0939
0122	0232		0435.1	0708	0809	0861	0952
0123	0233.1		0436.1	0709	0815	0865	0953
0129	0233.2		0436.2	0710	0816	0866	0954
0130	0240		0438	0719	0817	0870	0955
	0241		0439	0720	0818	0871	0960
	0242		0449.1	0721	0819	0872	
			0451.1	0722	0825	0873	
			0459.1	0723	0826	0874	
			0461	0724	0830	0880	
			0462	0725	0831	0881	
			0463	0726	0832	0882	
			0464	0727	0833	0885	
			0465	0728	0834	0886	
			0466	0730	0840	0887	
			0469	0740	0841		
			0474		0842		
			0475		0843		
			0476		0845		
			0481		0846		
			0482		0847		
			0483		0848		
			0484		0849		
			0485		0850		
					0851		
					0852		



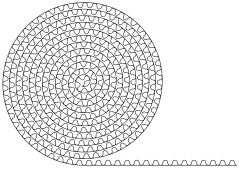
# COMMERCIAL ROLLS AND SHEETS



0100



**0100**



**0110**



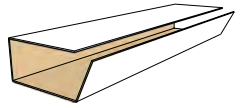
**0111**  
NEW



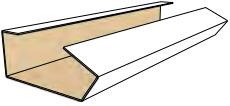
**0112**  
NEW



**0113**  
NEW



**0119**  
NEW



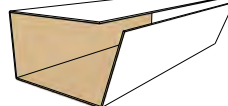
**0121**  
NEW



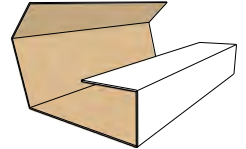
**0122**  
NEW



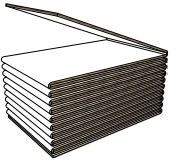
**0123**  
NEW



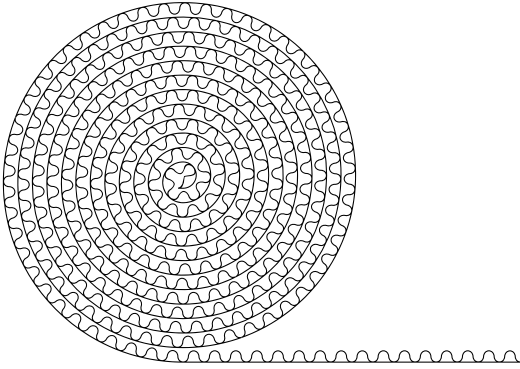
**0129**  
NEW



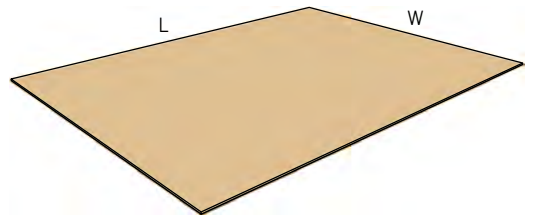
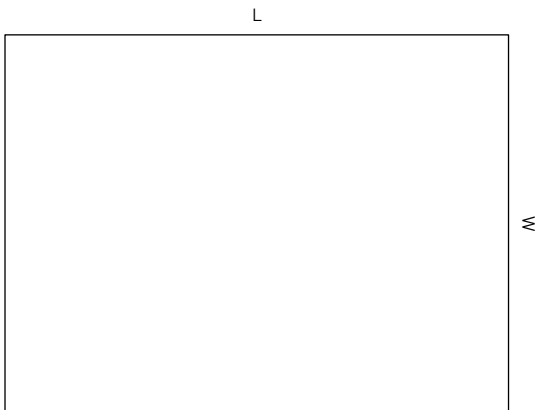
**0130**  
NEW



## 0100

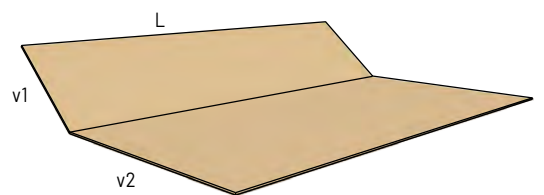
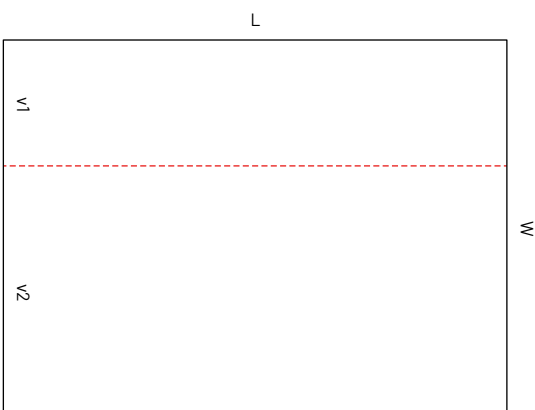


## 0110



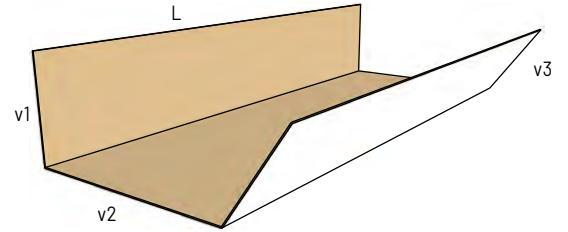
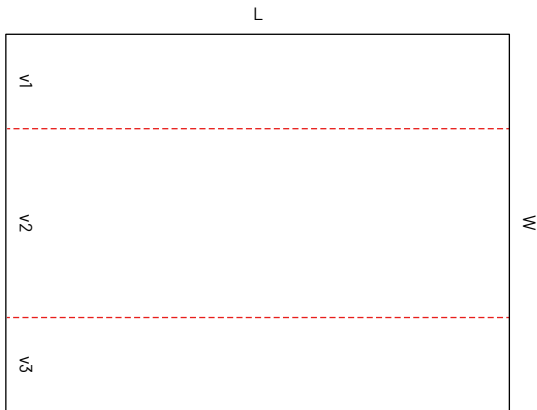
## 0111

NEW



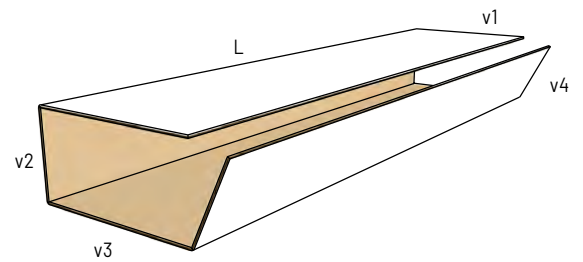
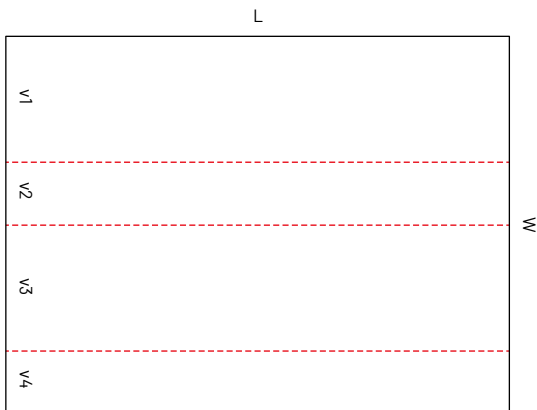
0112

NEW



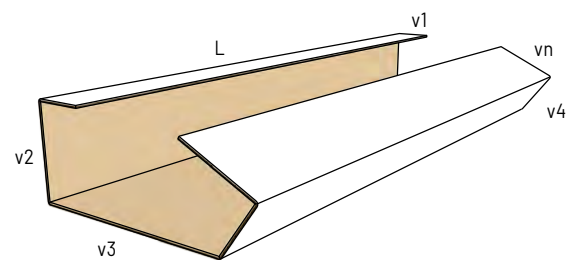
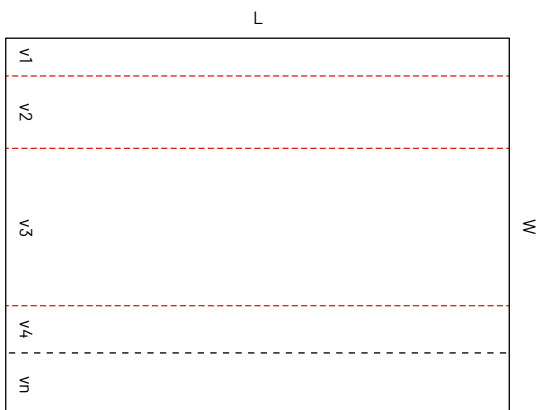
0113

NEW



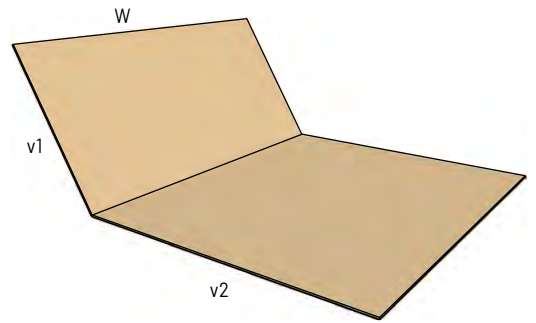
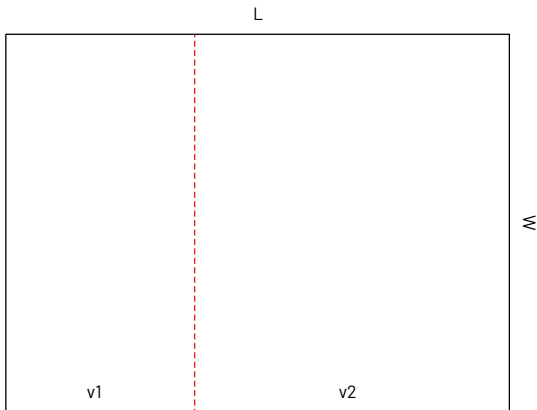
0119

NEW



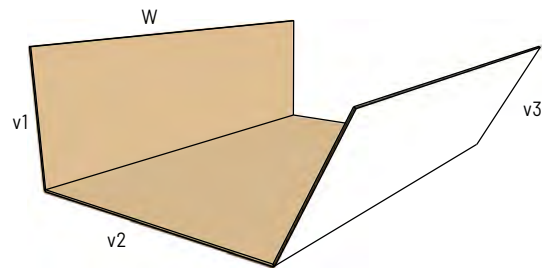
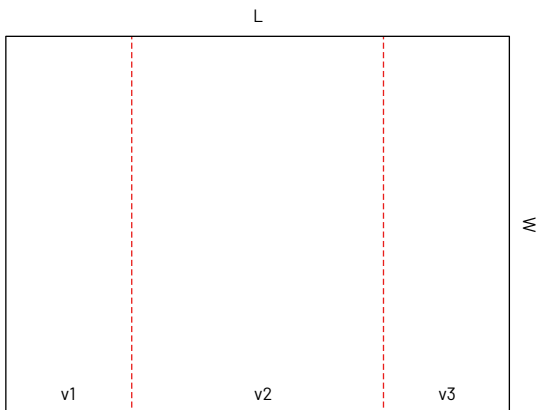
0121

NEW



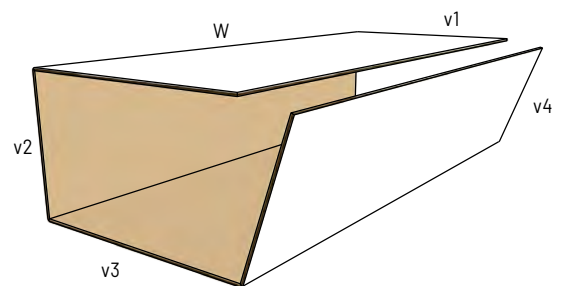
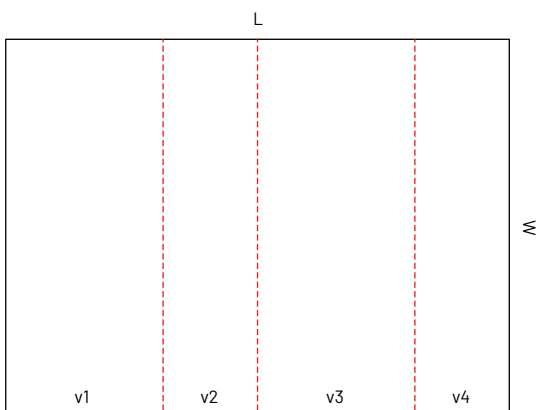
0122

NEW



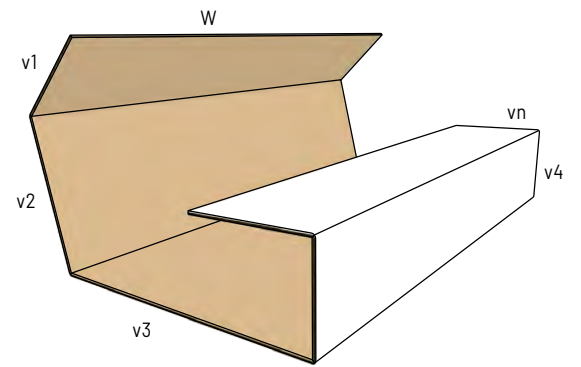
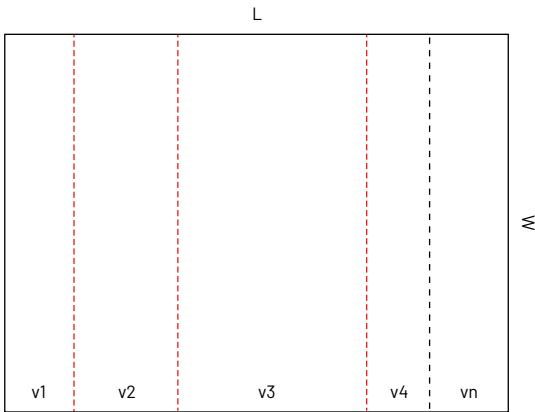
0123

NEW



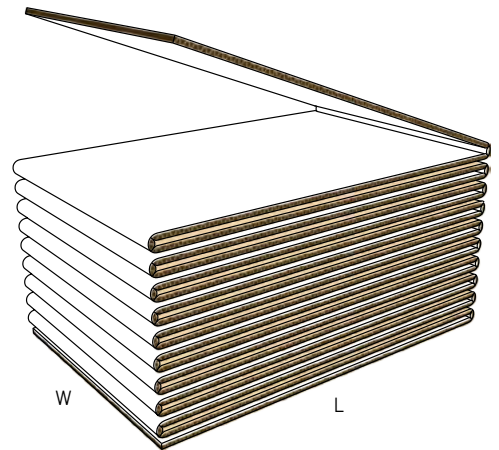
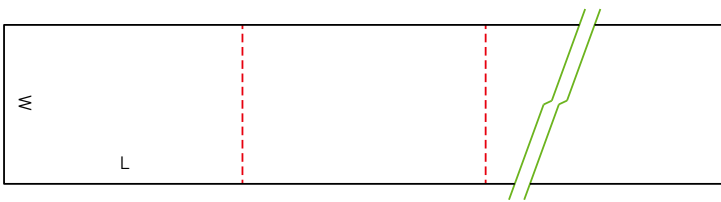
0129

NEW



0130

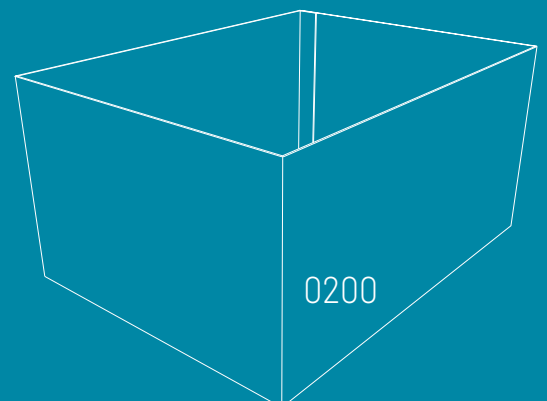
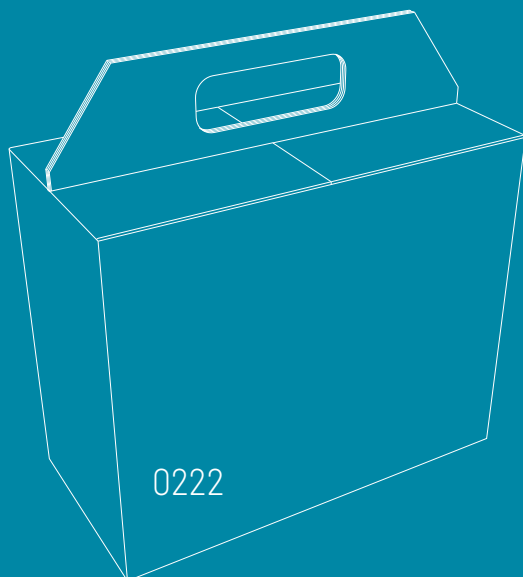
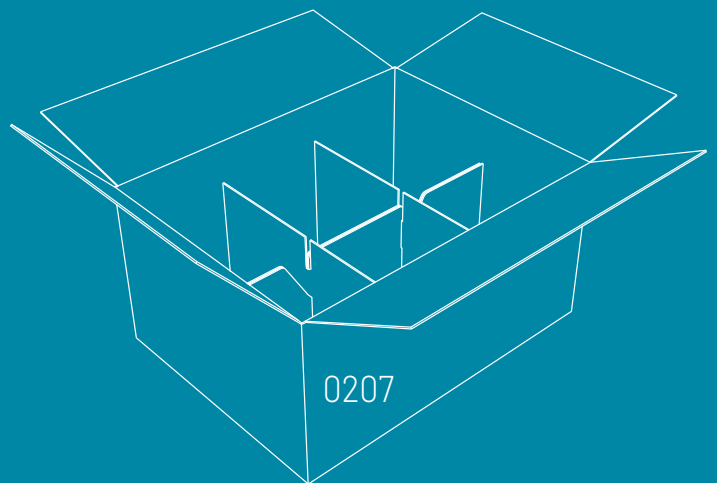
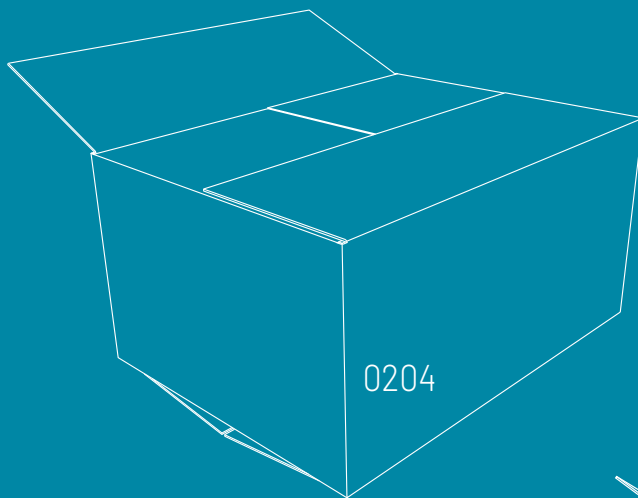
NEW



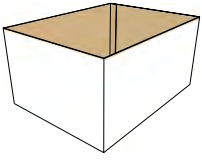
## SLOTTED BOXES

Slotted boxes consist of basically one piece with a glued, stitched or taped manufacturers joint and top and bottom flaps.

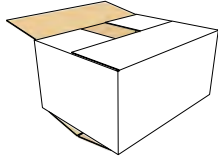
They are shipped flat, ready to use and require closing using the flaps provided.



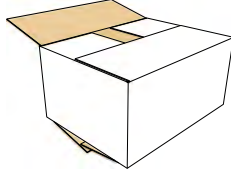
0200 M/A



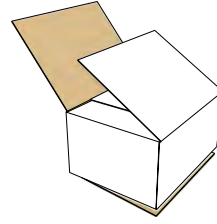
0201 M/A



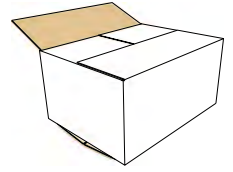
0202 M/A



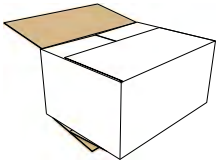
0203 M/A



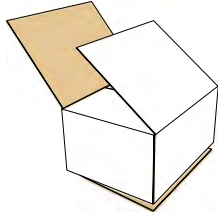
0204 M/A



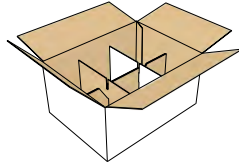
0205 M/A



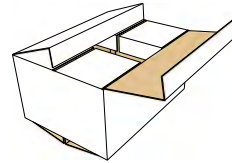
0206 M/A



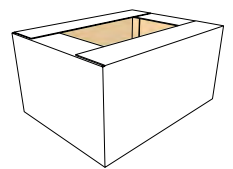
0207 M



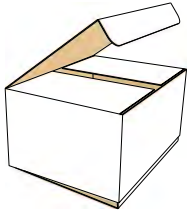
0208 M



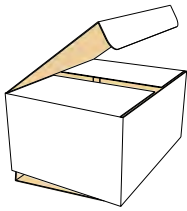
0209 M/A



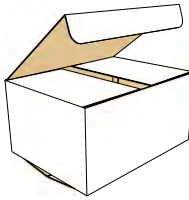
0210 M



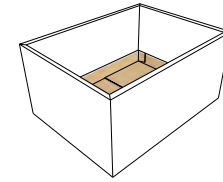
0211 M



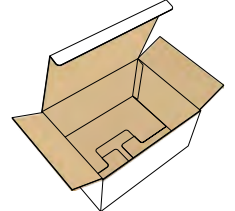
0212 M/A



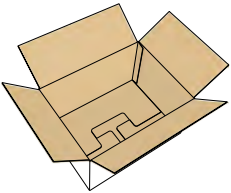
0214 M



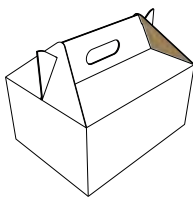
0215 M



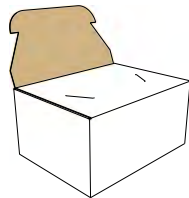
0216 M



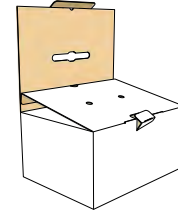
0217 M



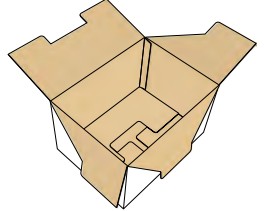
0218 M



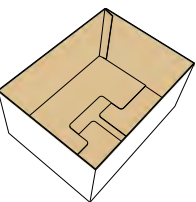
0219 M  
NEW



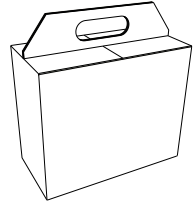
0220 M  
NEW



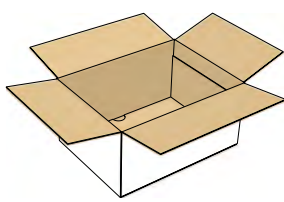
0221 M  
NEW



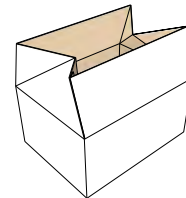
0222 M  
NEW



0225 M



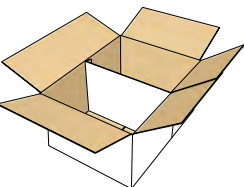
0226 M



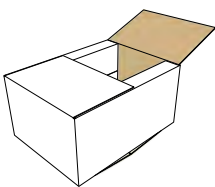
0227 M



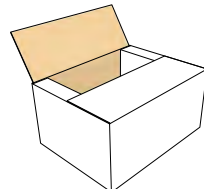
0228 M/A



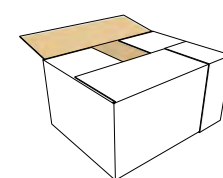
0229 M



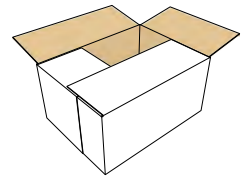
0229.1 M  
NEW



0230 M/A

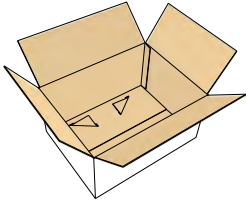


0231 M/A

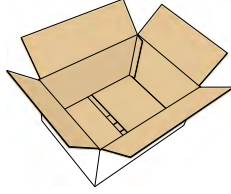




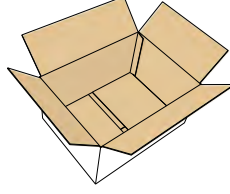
**0232 M**  
NEW



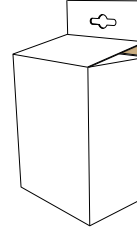
**0233.1 M**  
NEW



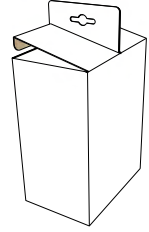
**0233.2 M**  
NEW



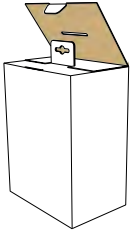
**0240 M**  
NEW



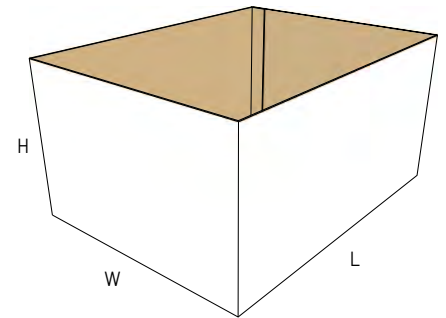
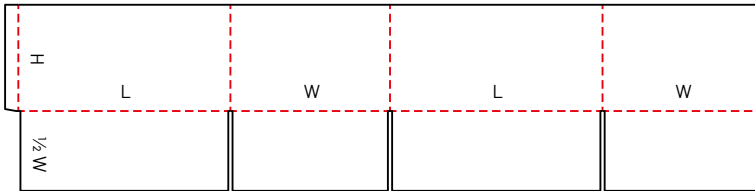
**0241 M**  
NEW



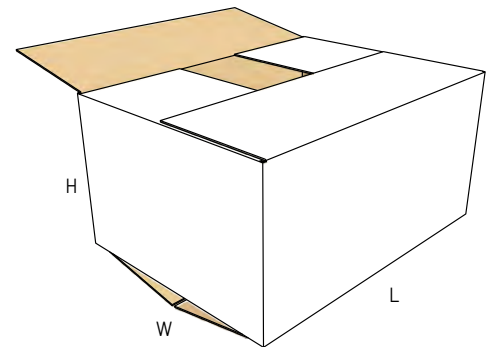
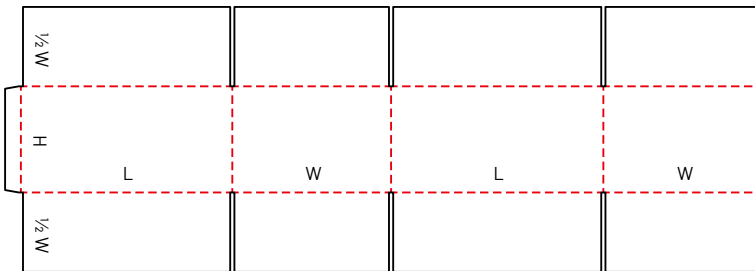
**0242 M**  
NEW



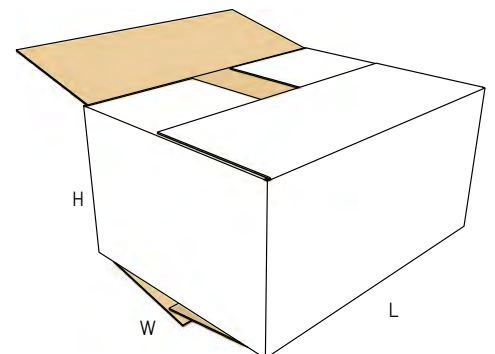
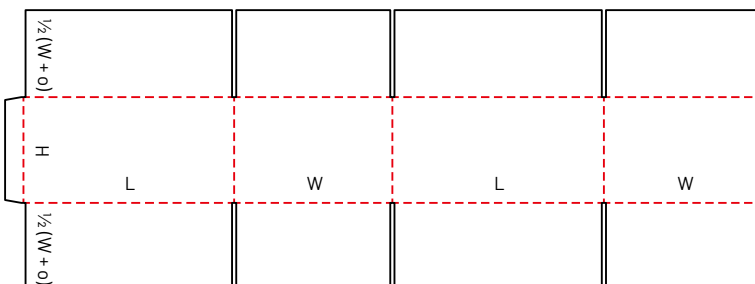
## 0200 M/A



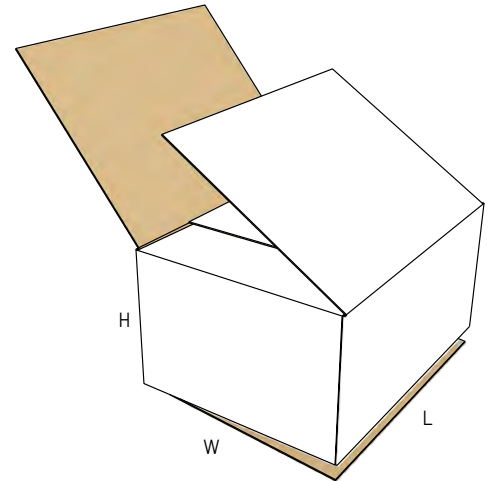
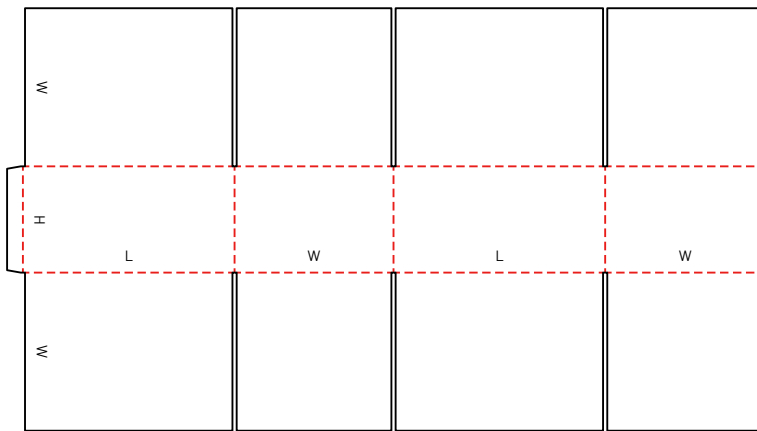
## 0201 M/A



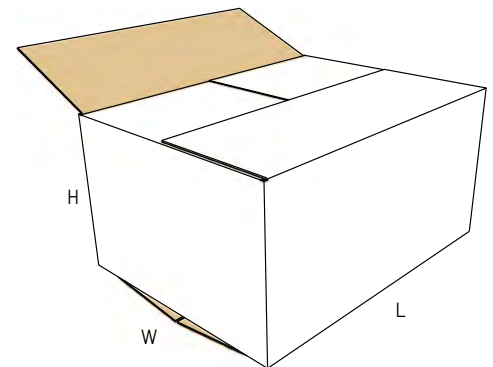
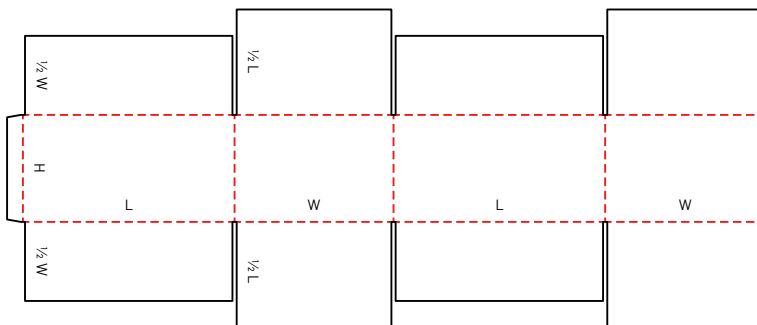
## 0202 M/A



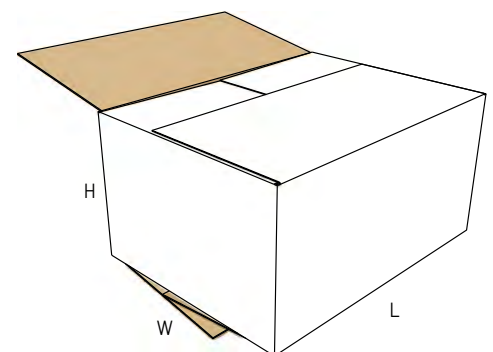
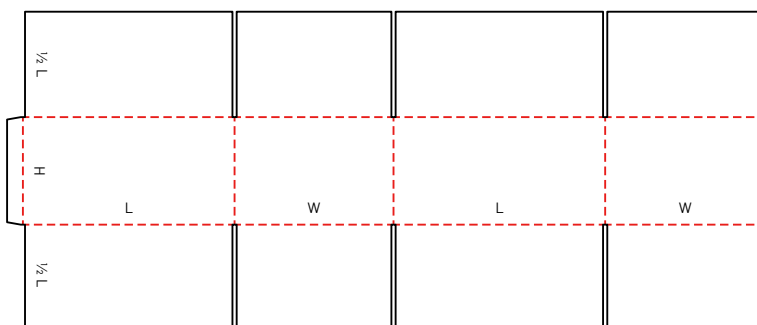
## 0203 M/A



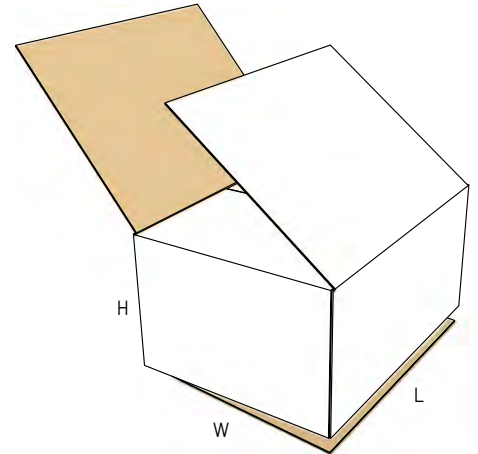
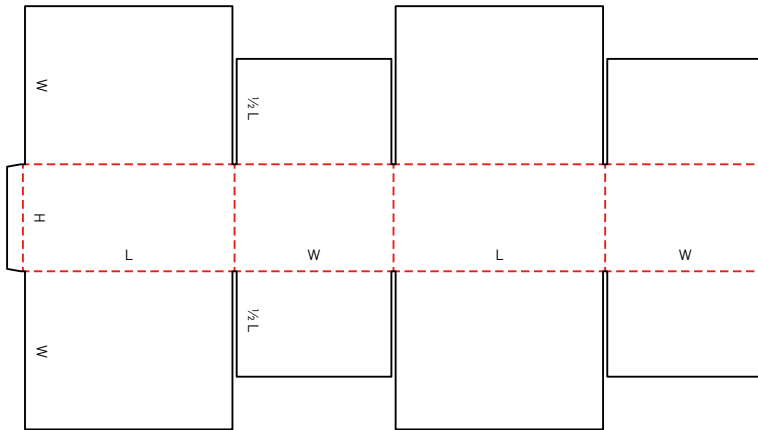
## 0204 M/A



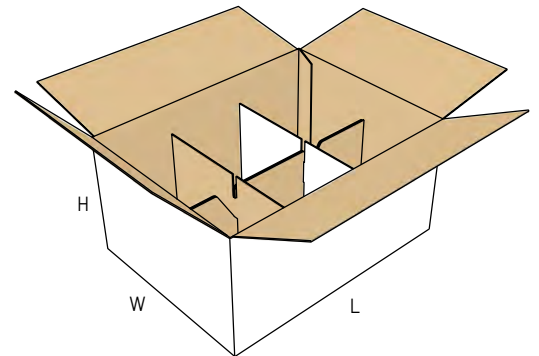
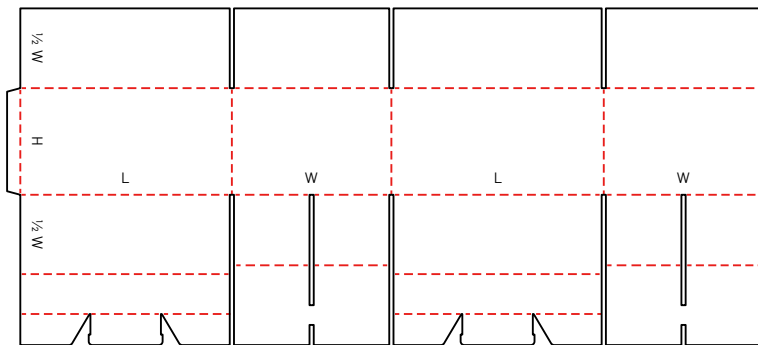
## 0205 M/A



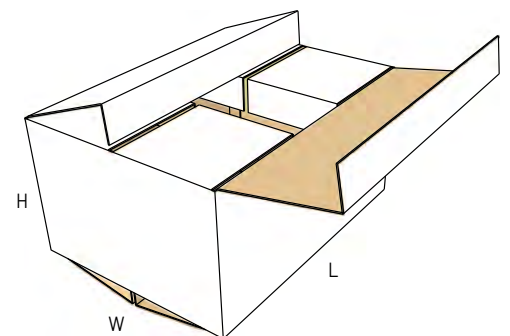
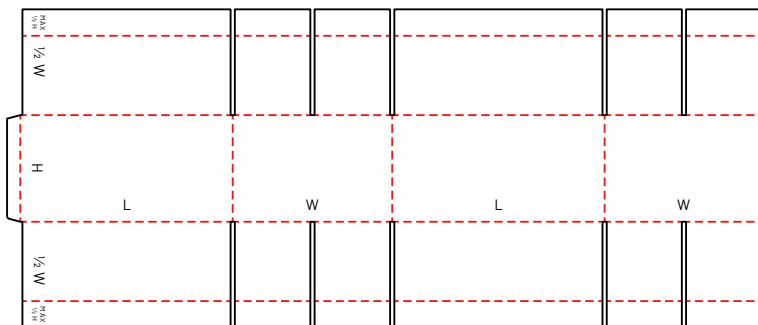
## 0206 M/A



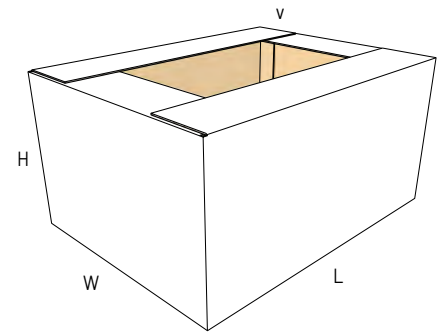
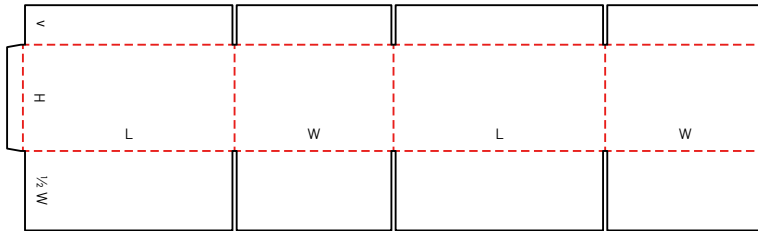
## 0207 M



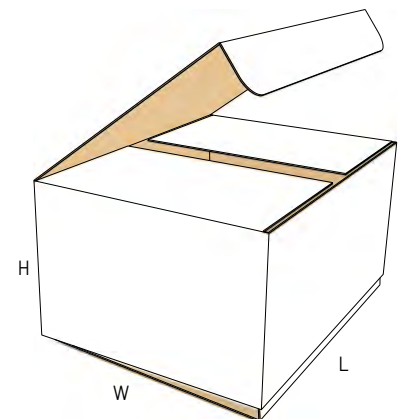
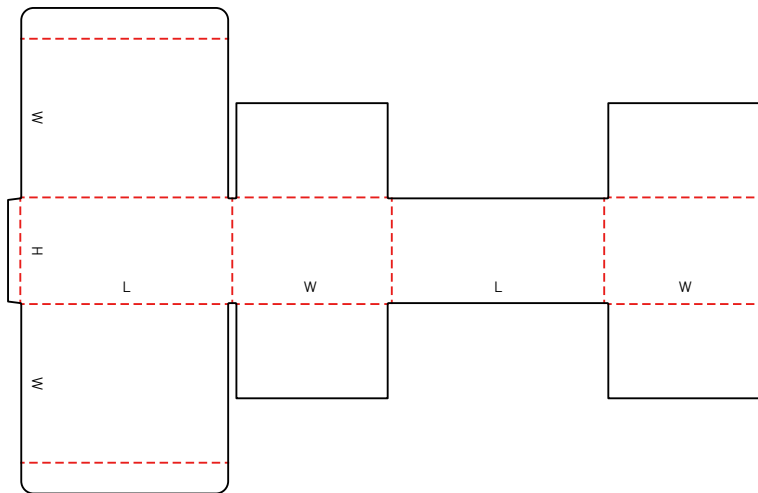
## 0208 M



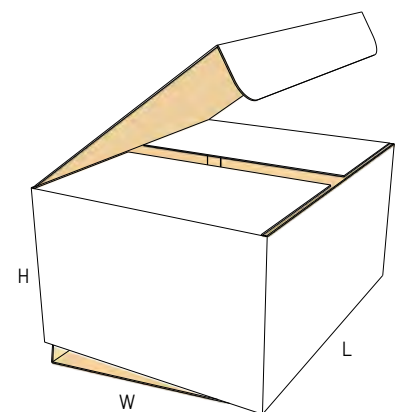
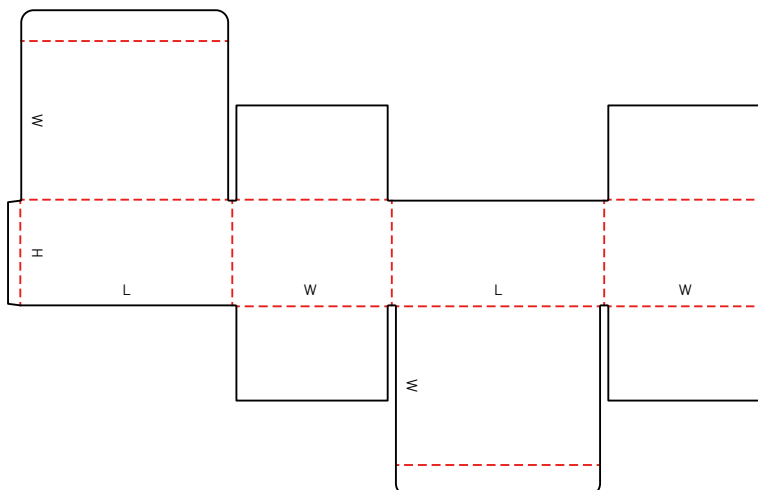
## 0209 M/A



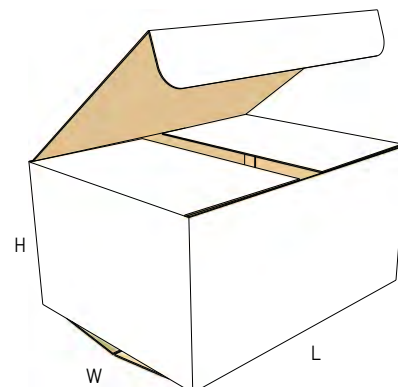
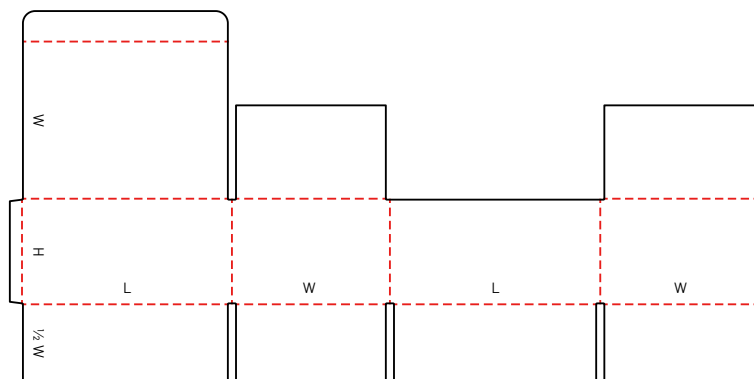
## 0210 M



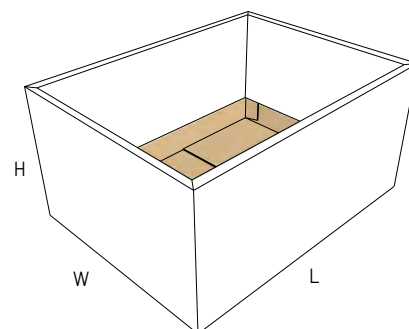
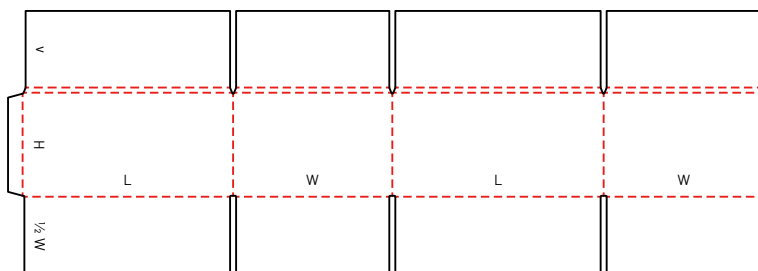
## 0211 M



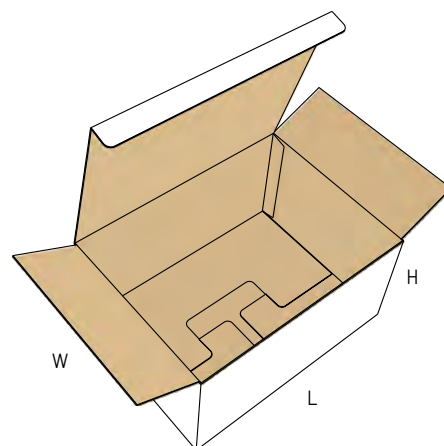
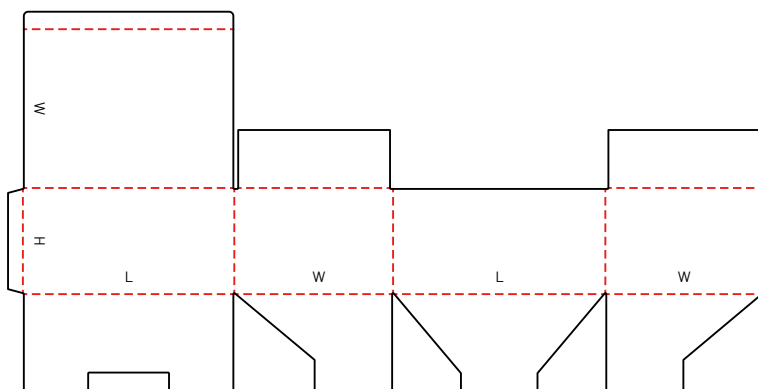
## 0212 M/A



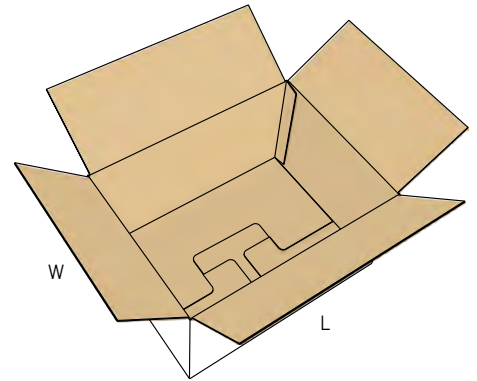
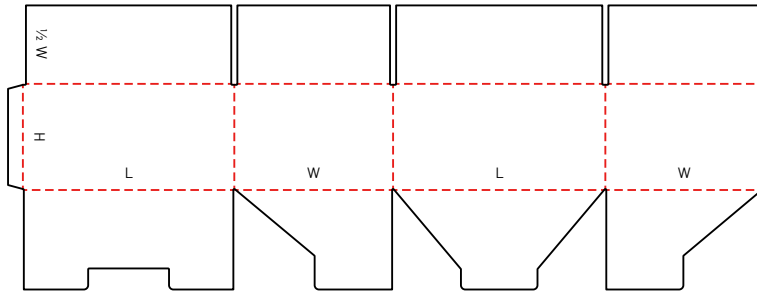
## 0214 M



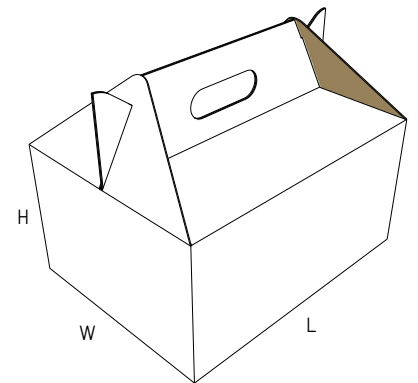
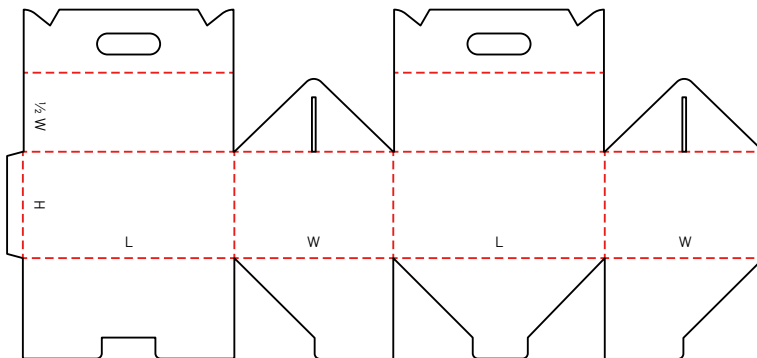
## 0215 M



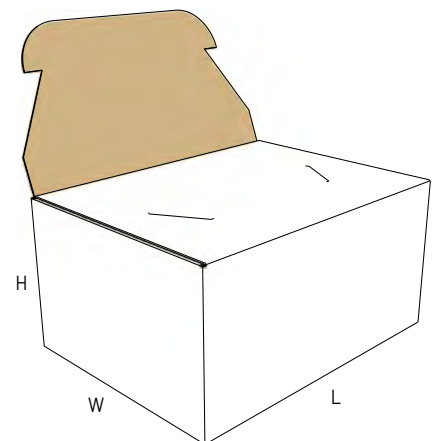
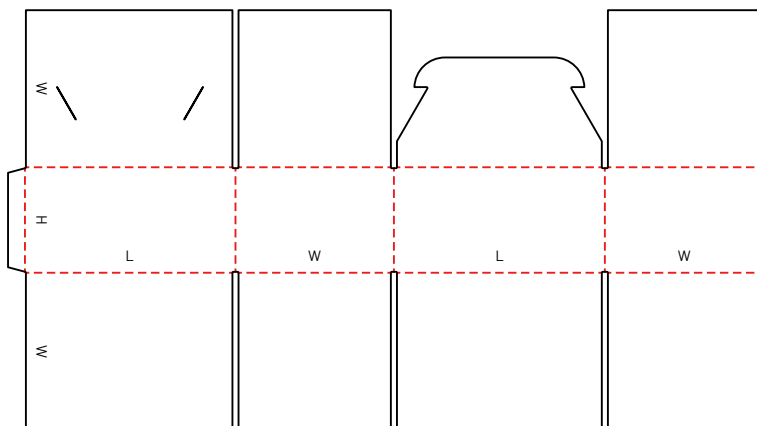
## 0216 M



## 0217 M

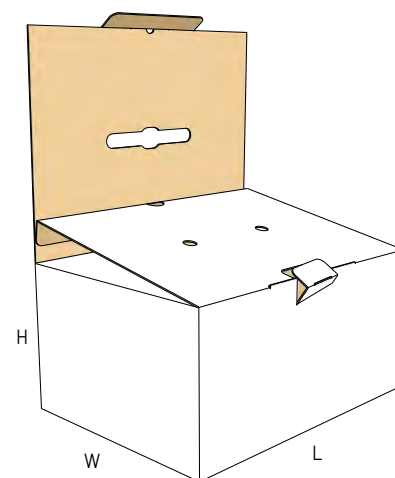
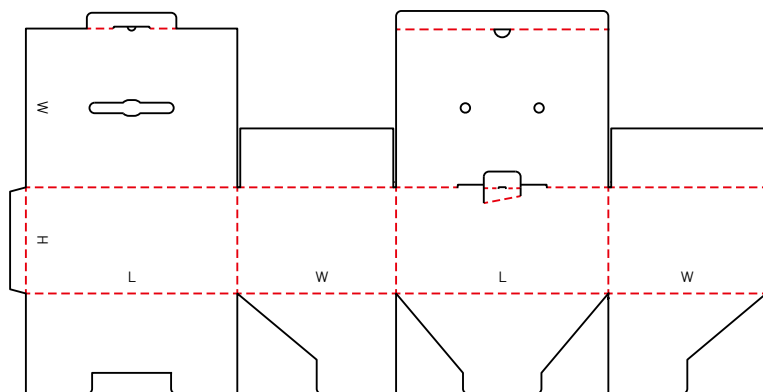


## 0218 M



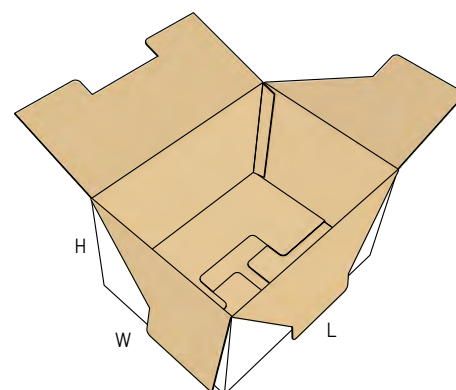
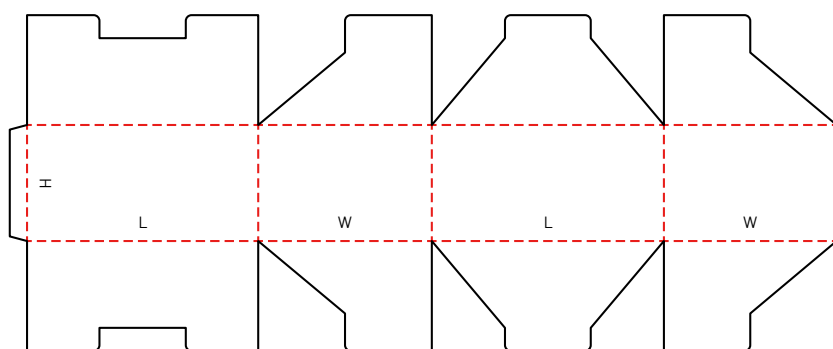
## 0219 M

NEW



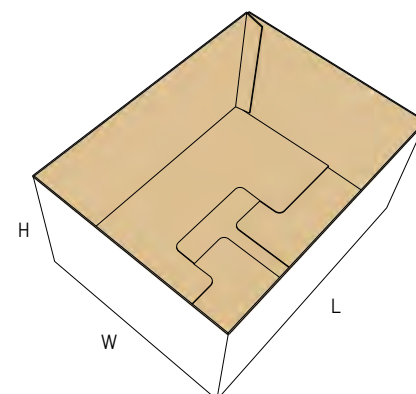
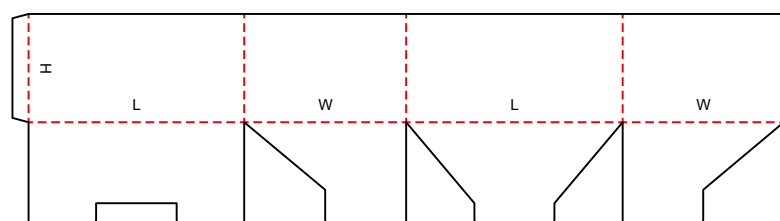
## 0220 M

NEW



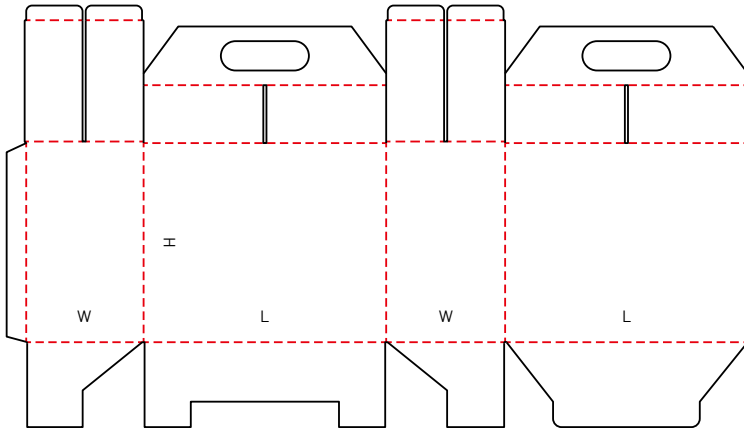
## 0221 M

NEW

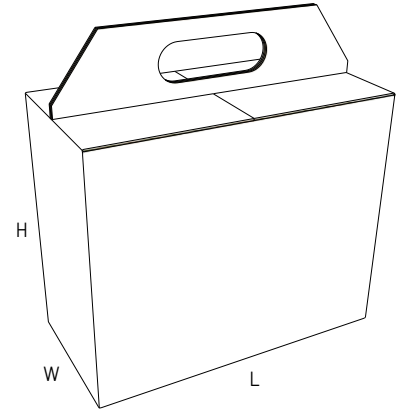




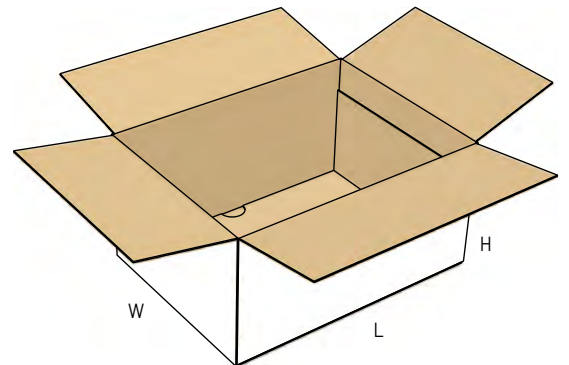
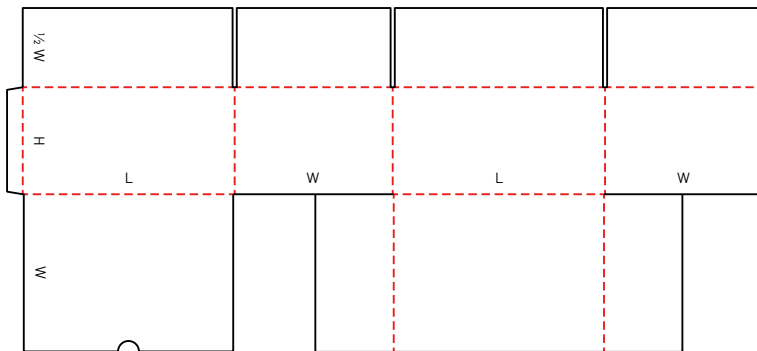
## 0222 M



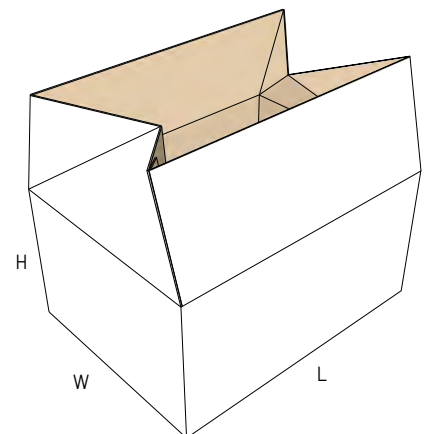
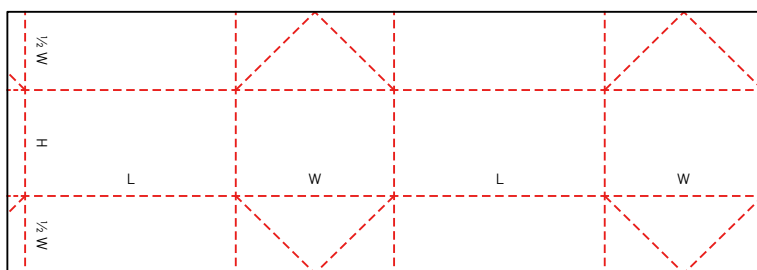
NEW



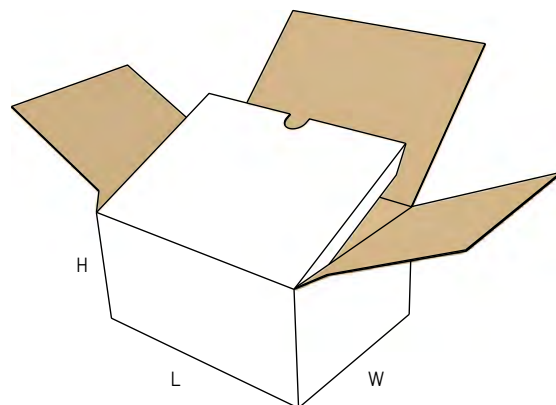
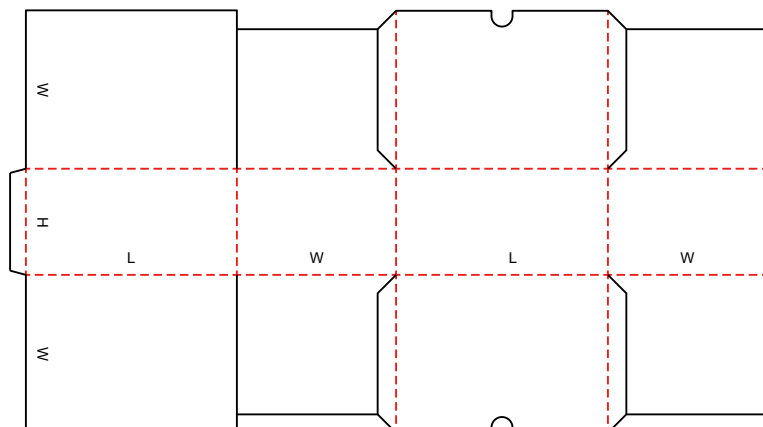
## 0225 M



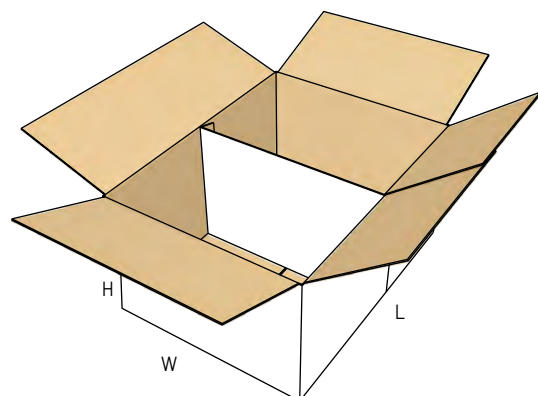
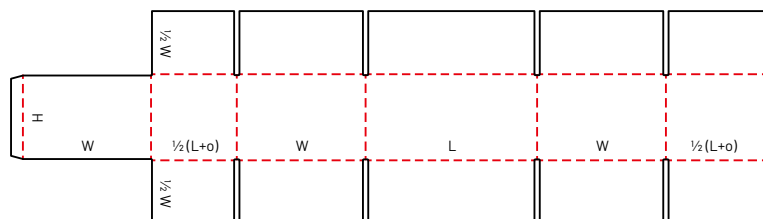
## 0226 M



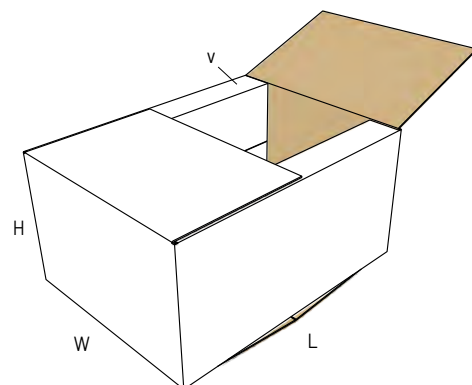
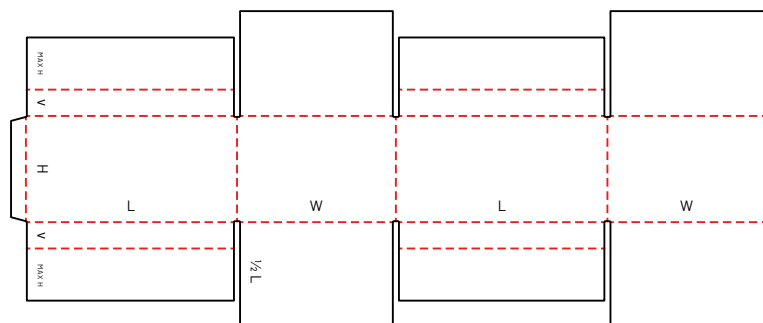
## 0227 M



## 0228 M/A

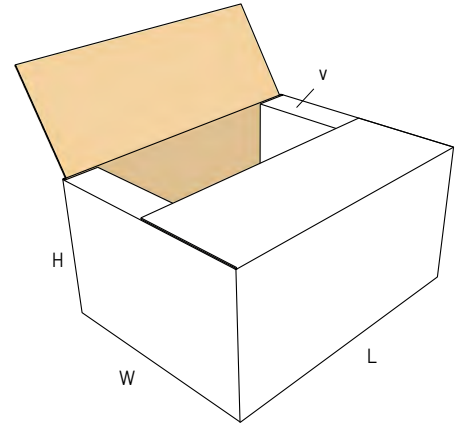
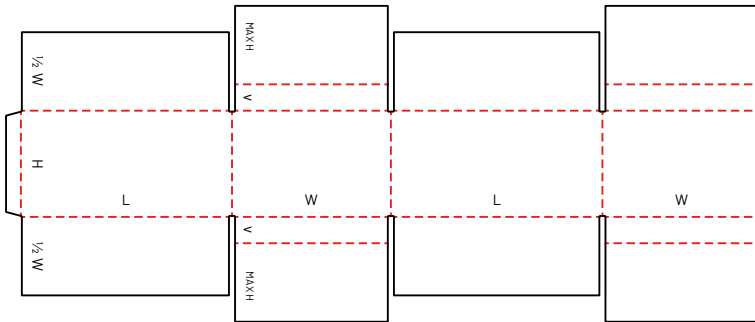


## 0229 M

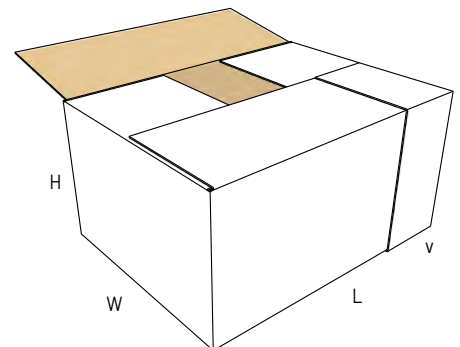
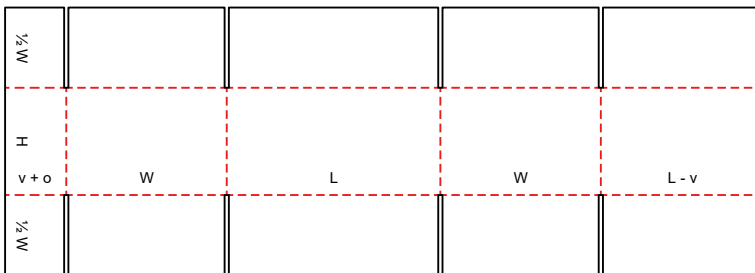


## 0229.1 M

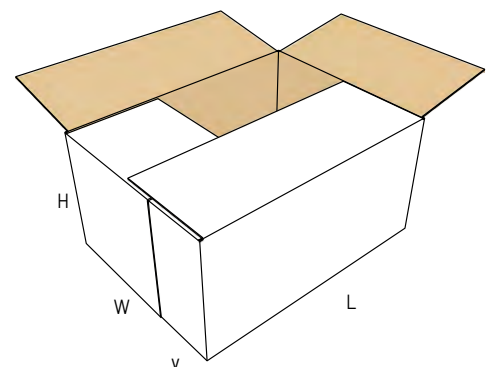
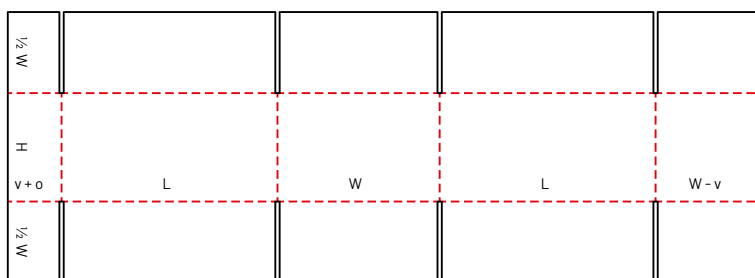
NEW



## 0230 M/A

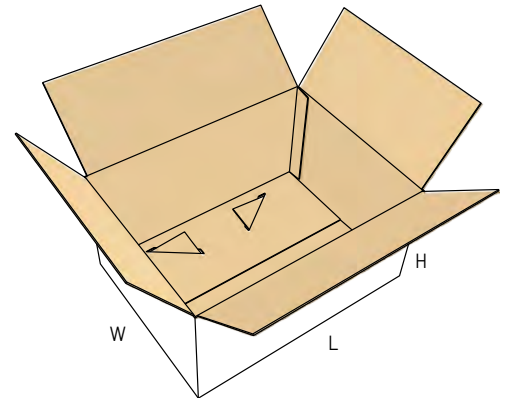
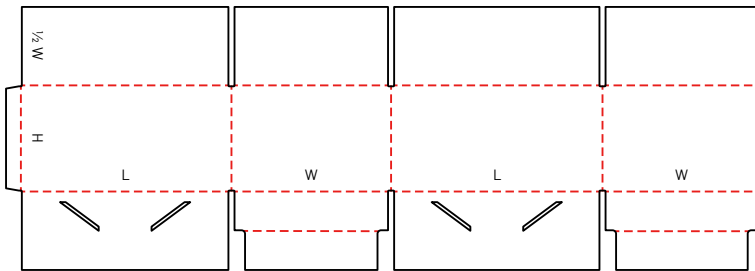


## 0231 M/A



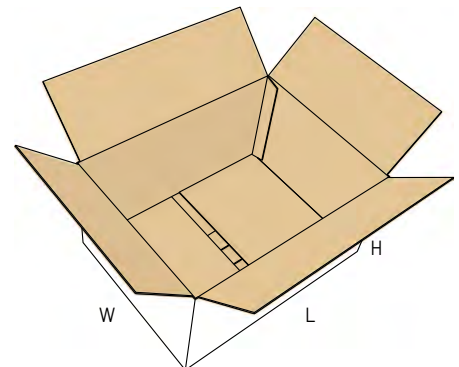
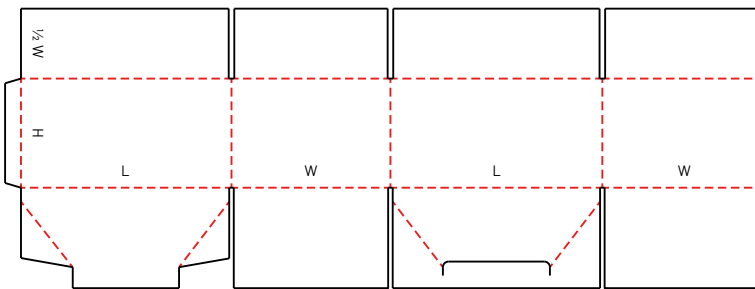
## 0232 M

NEW



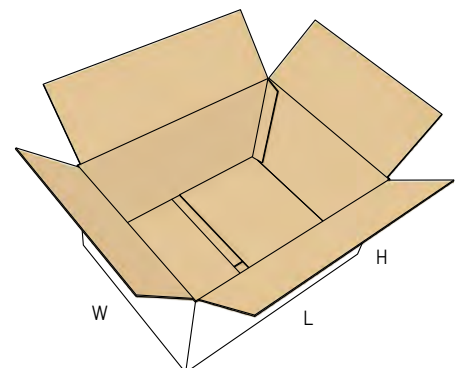
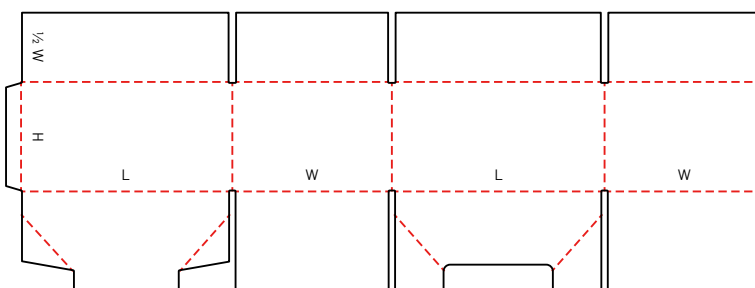
## 0233.1 M

NEW



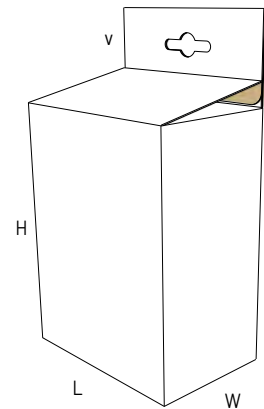
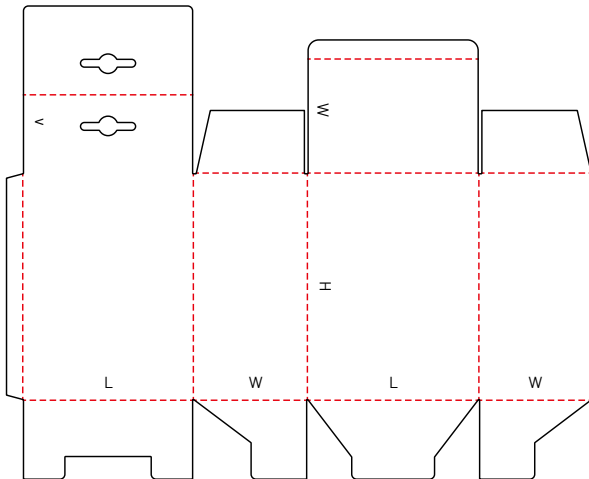
## 0233.2 M

NEW



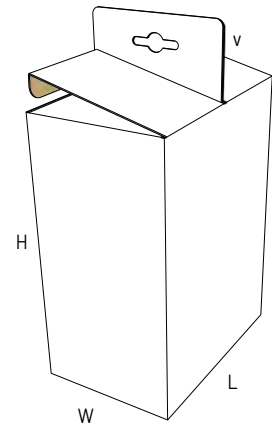
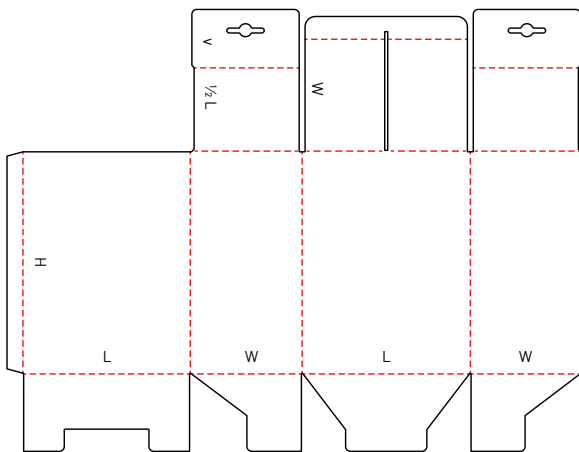
## 0240 M

NEW



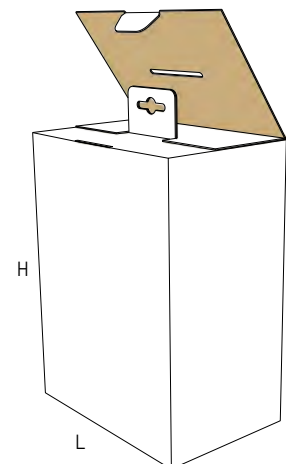
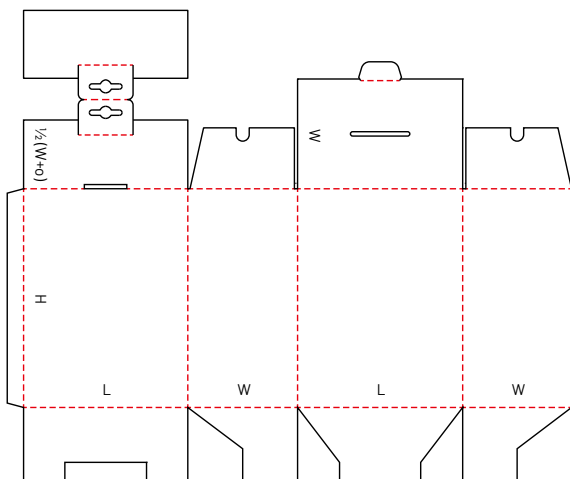
## 0241 M

NEW



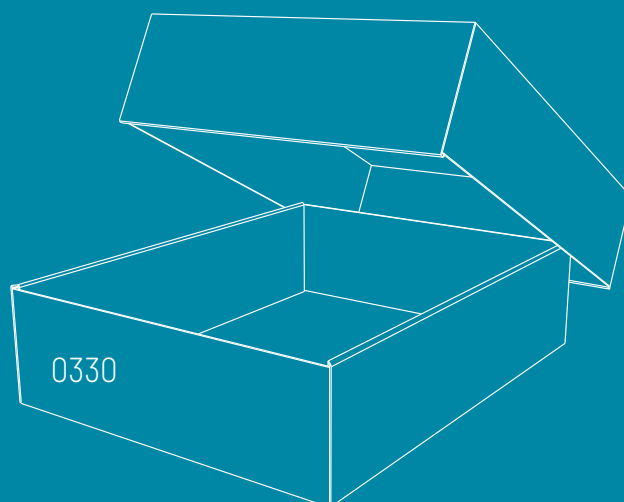
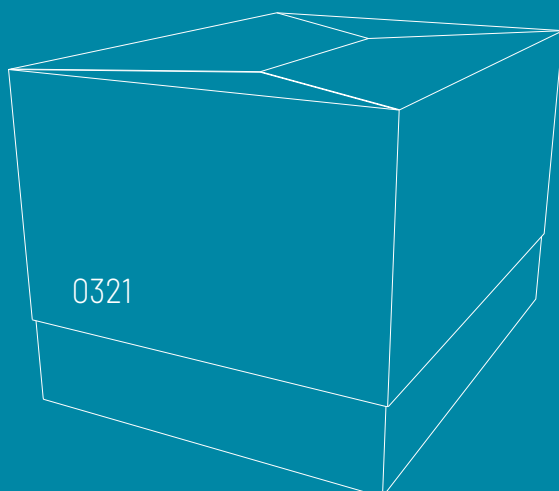
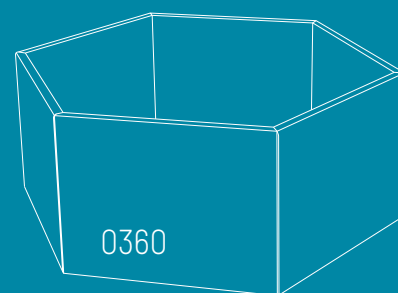
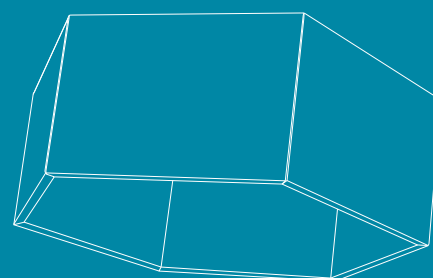
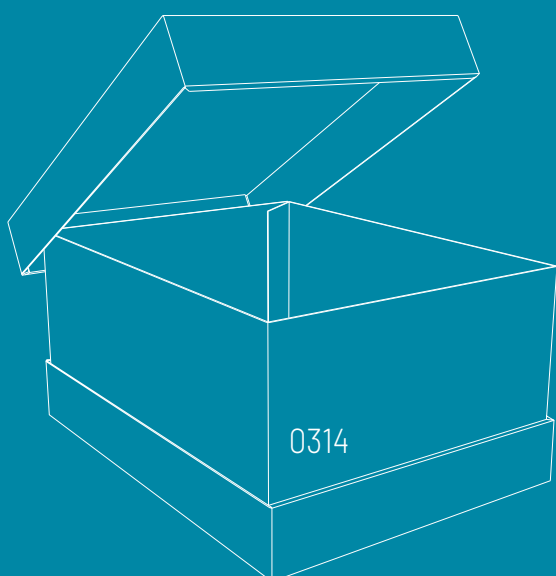
## 0242 M

NEW

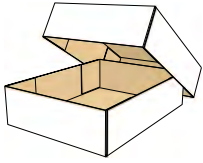


## TELESCOPIC BOXES

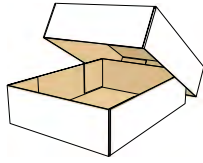
Telescopic boxes usually consist of more than one piece (e.g. top and bottom) and they fit over each other.



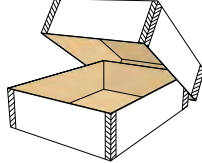
0300 M/A



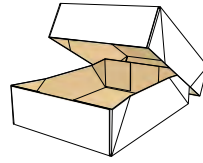
0301 M/A



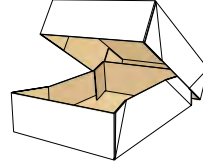
0302 M



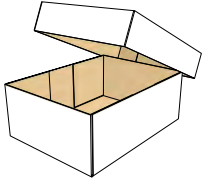
0303 M



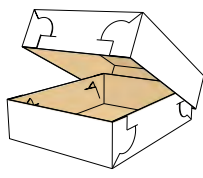
0304 M



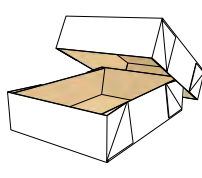
0306 M/A



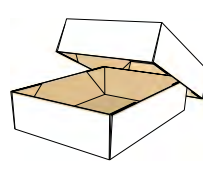
0307 M



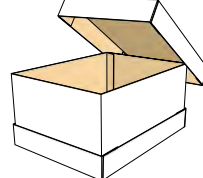
0308 M



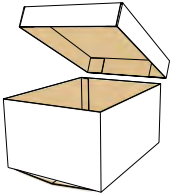
0309 M



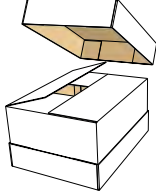
0310 M/A



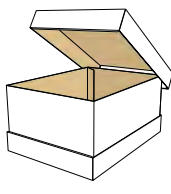
0312 M/A



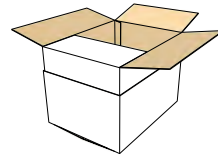
0313 M/A



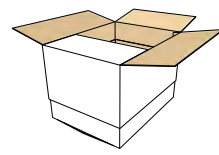
0314 M



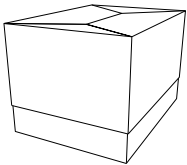
0319 M/A  
NEW



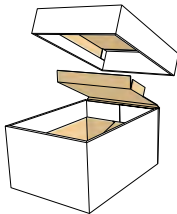
0320 M/A



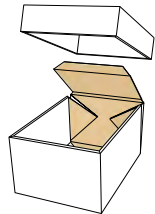
0321 M



0322 M



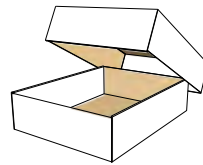
0323 M



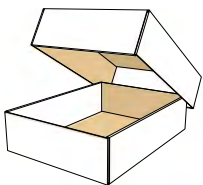
0325 M/A



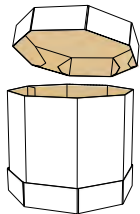
0330 M/A



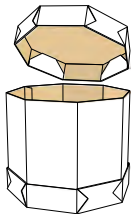
0331 M/A



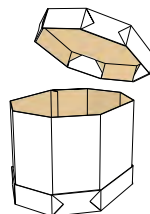
0350 A



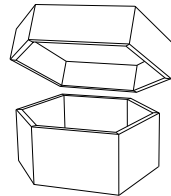
0351 M/A



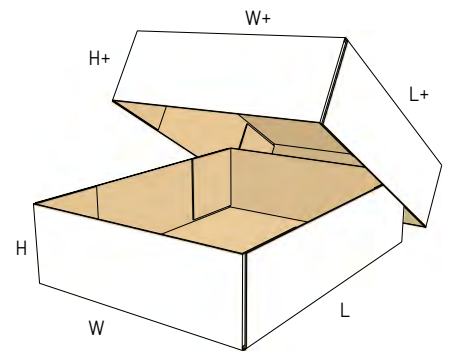
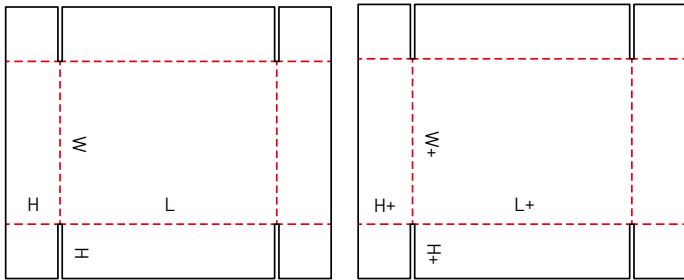
0352 M/A



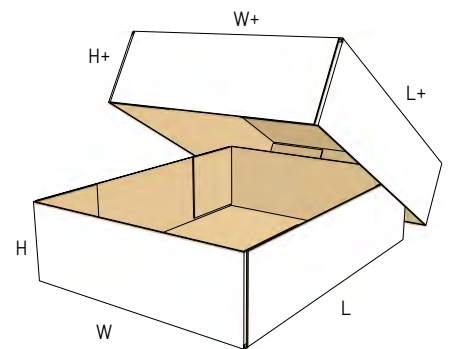
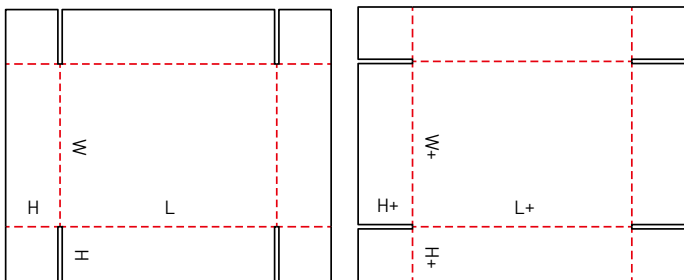
0360 M  
NEW



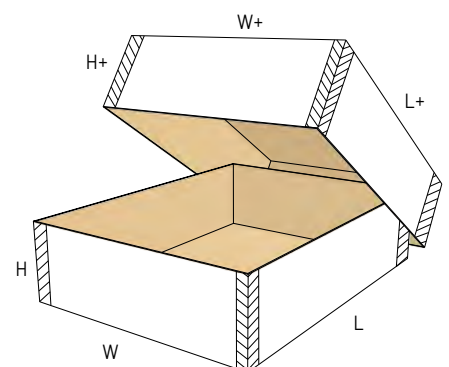
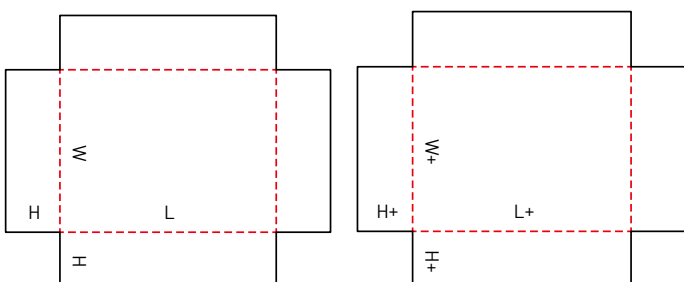
## 0300 M/A



## 0301 M/A

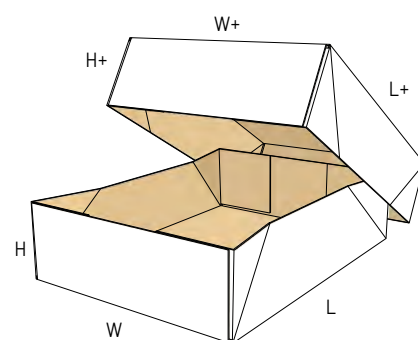
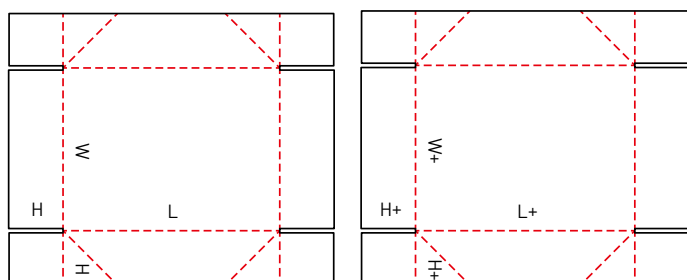


## 0302 M

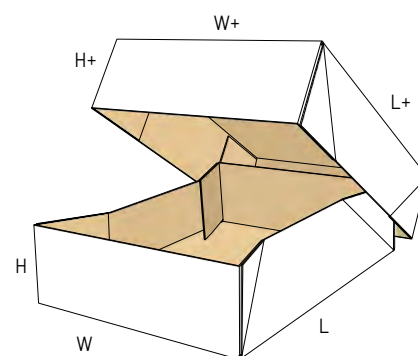
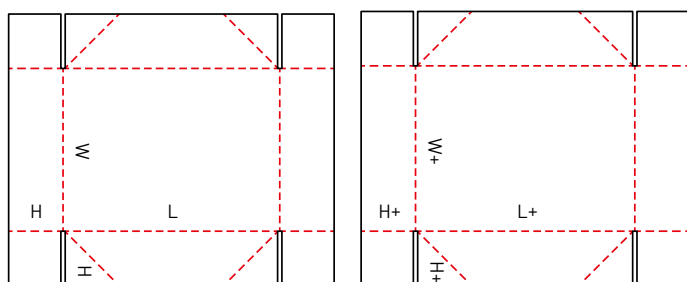




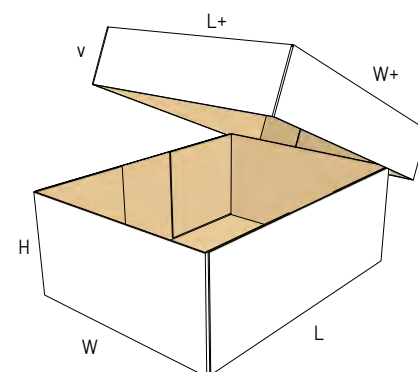
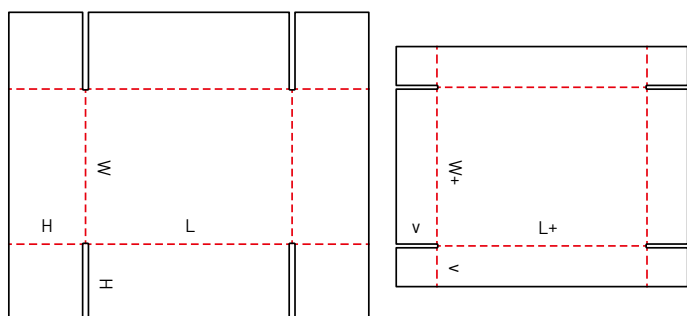
## 0303 M



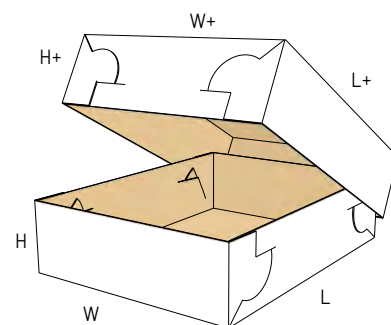
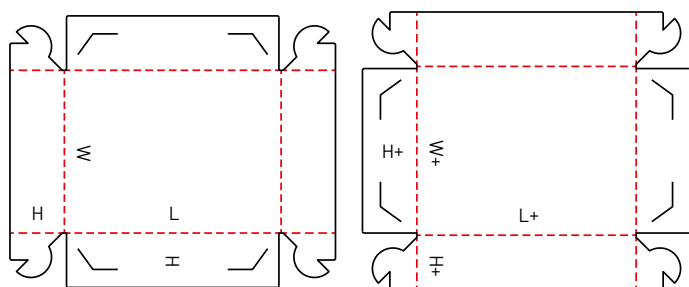
## 0304 M



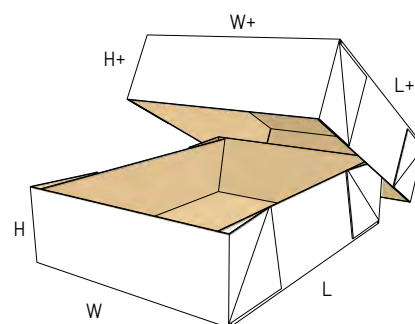
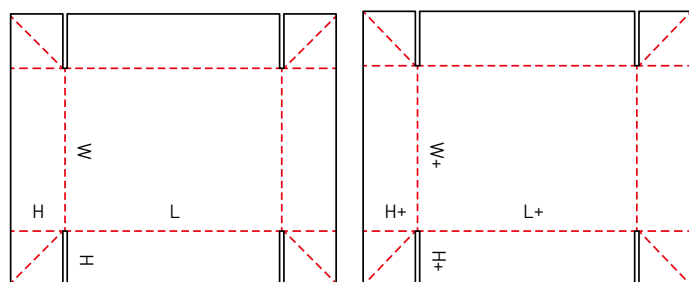
## 0306 M/A



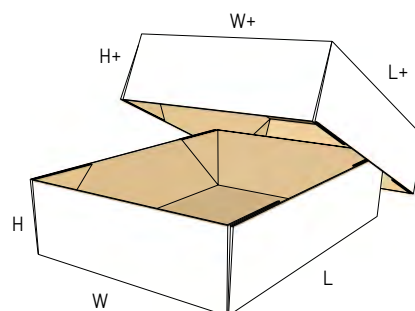
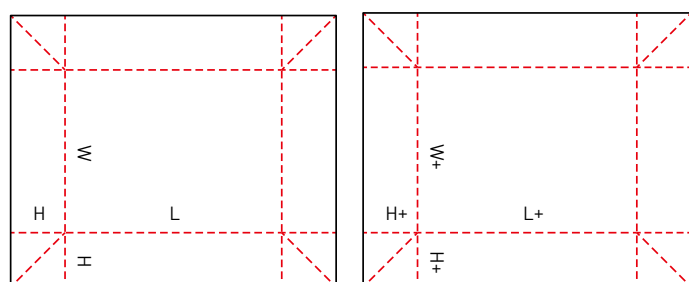
## 0307 M



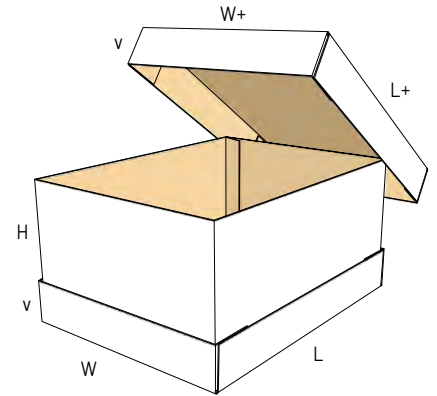
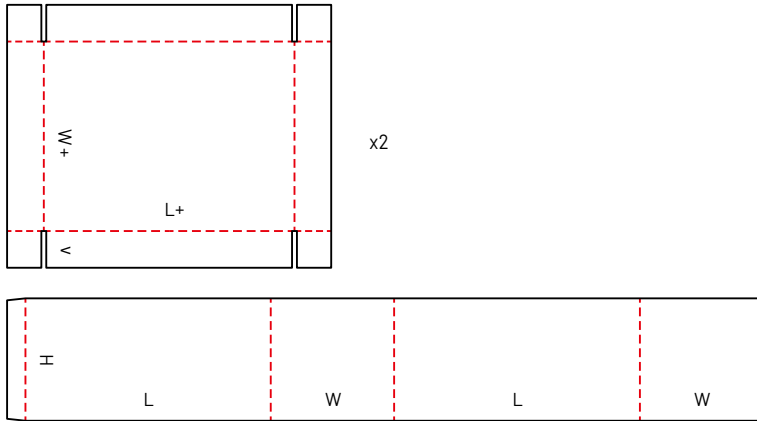
## 0308 M



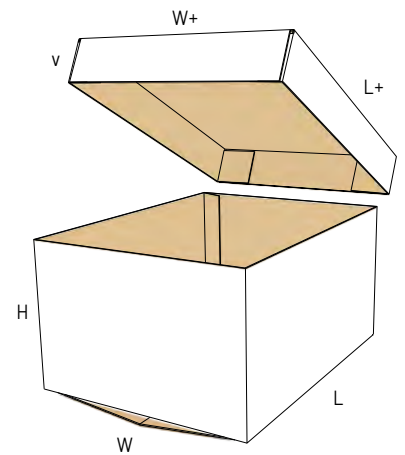
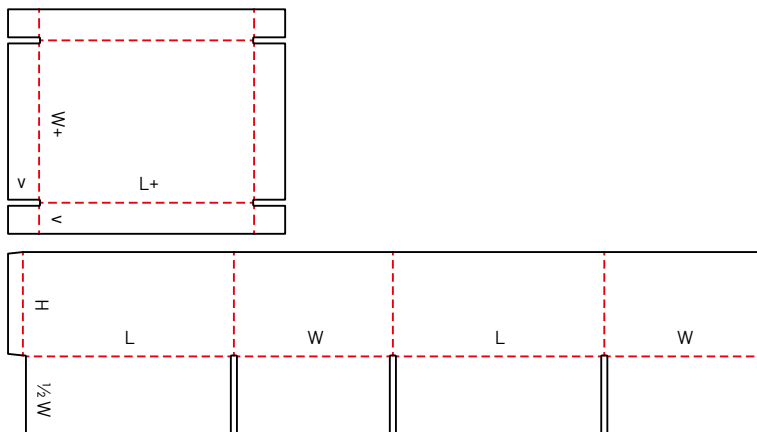
## 0309 M



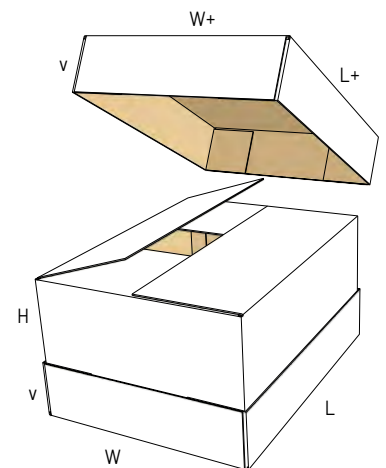
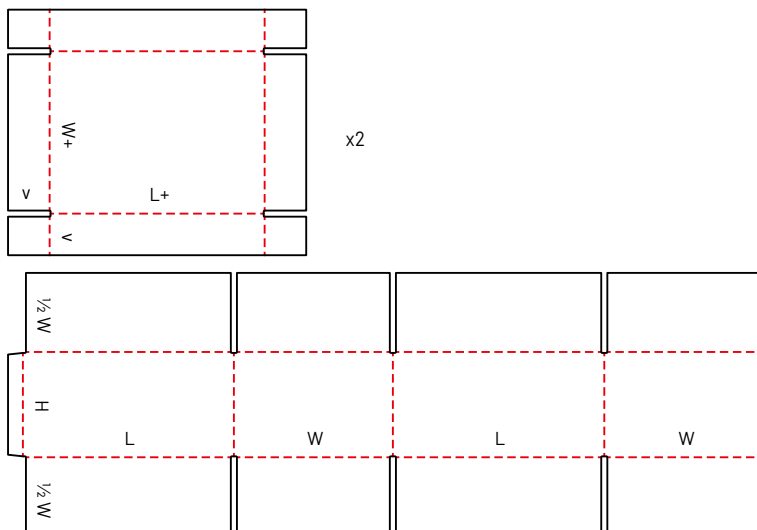
## 0310 M/A



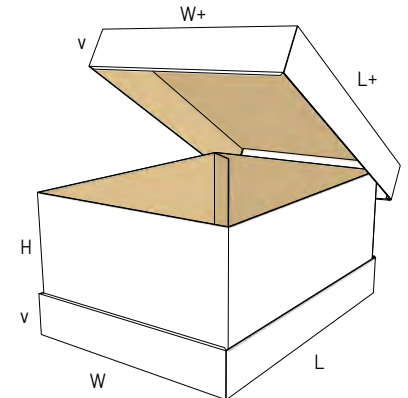
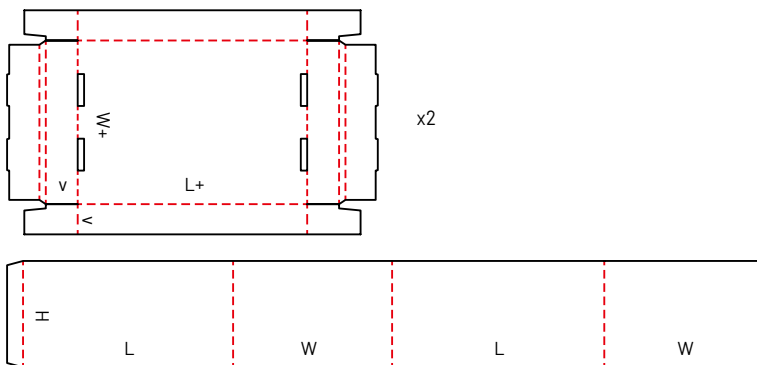
## 0312 M/A



## 0313 M/A

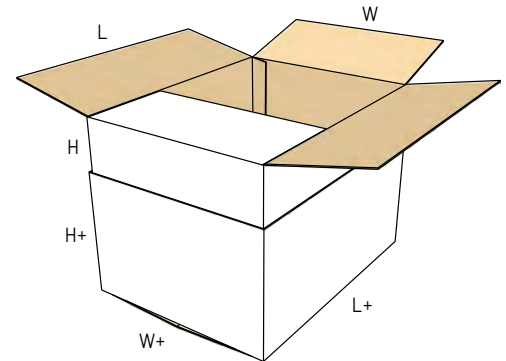
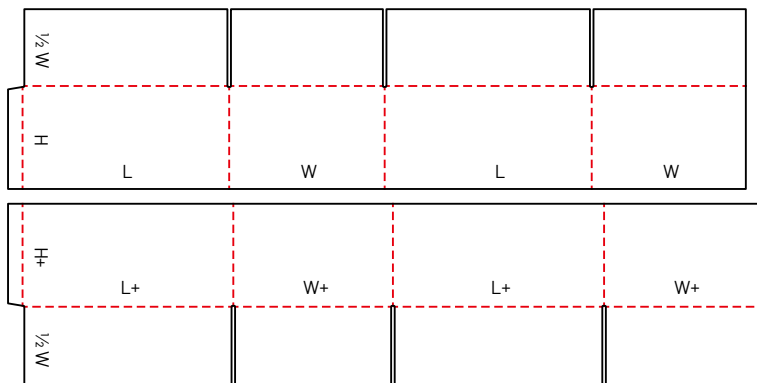


## 0314 M

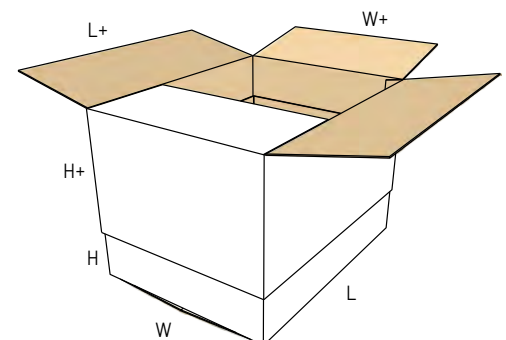
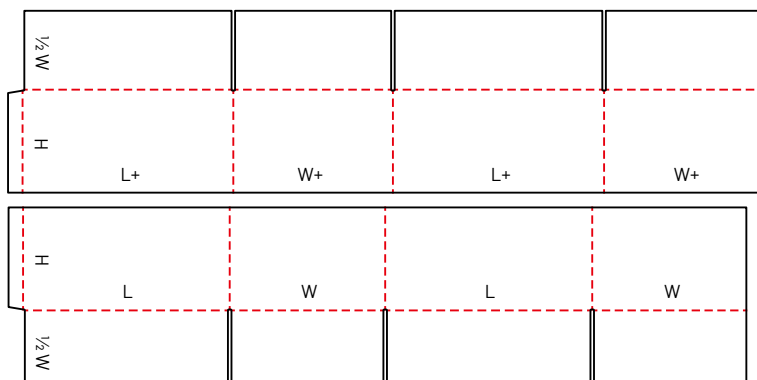


## 0319 M/A

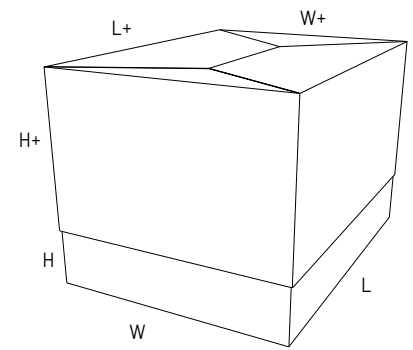
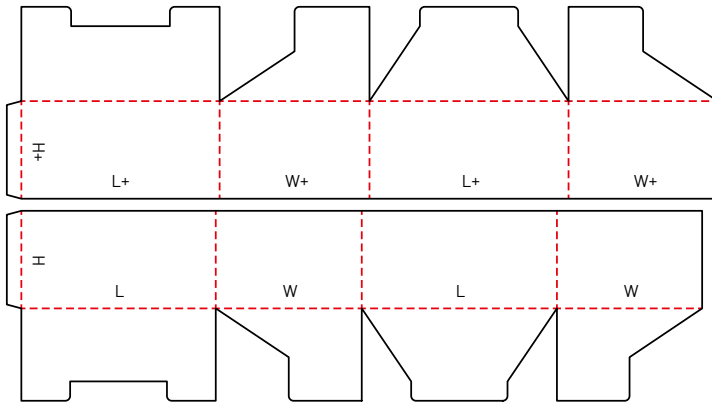
NEW



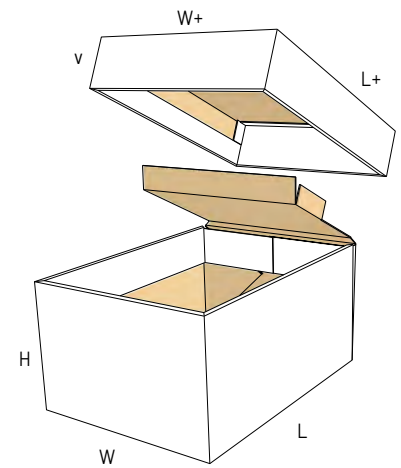
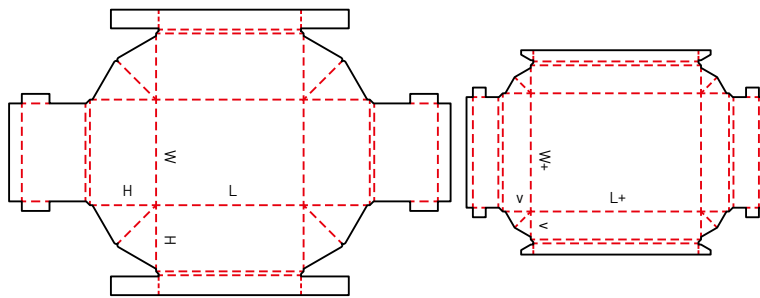
## 0320 M/A



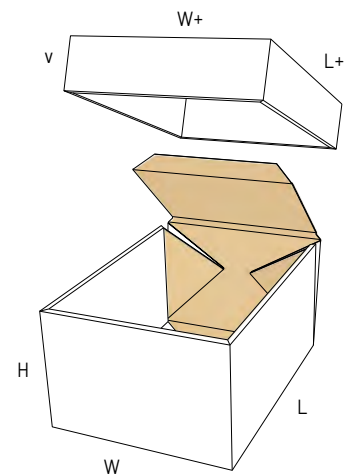
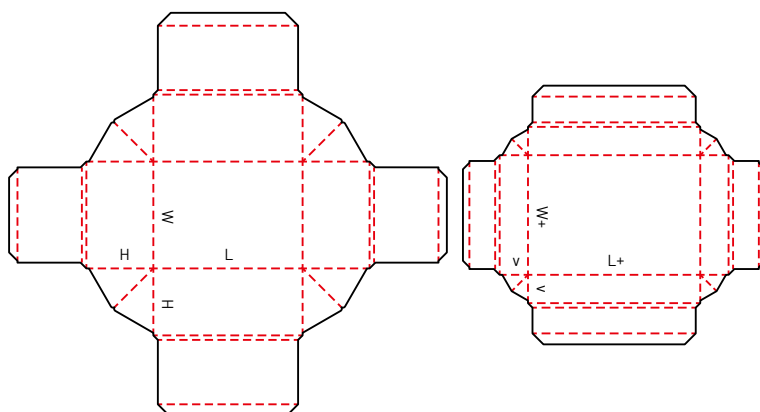
## 0321 M



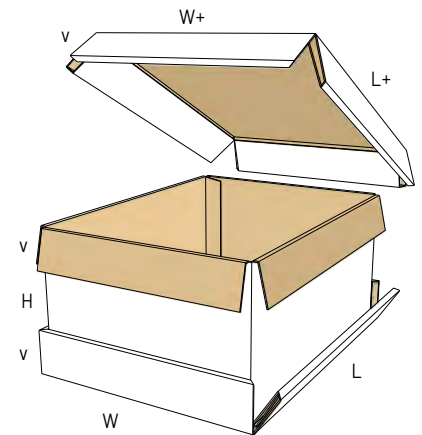
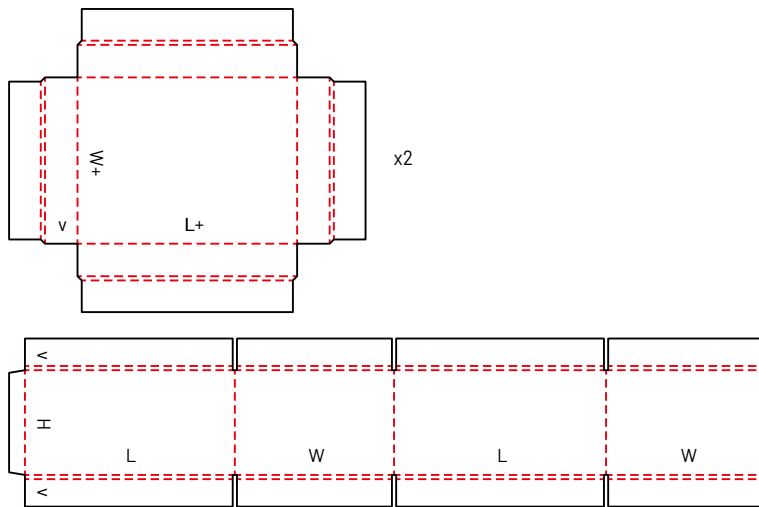
## 0322 M



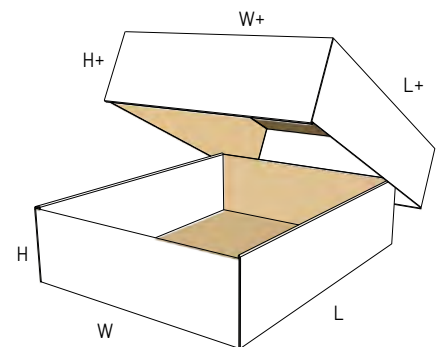
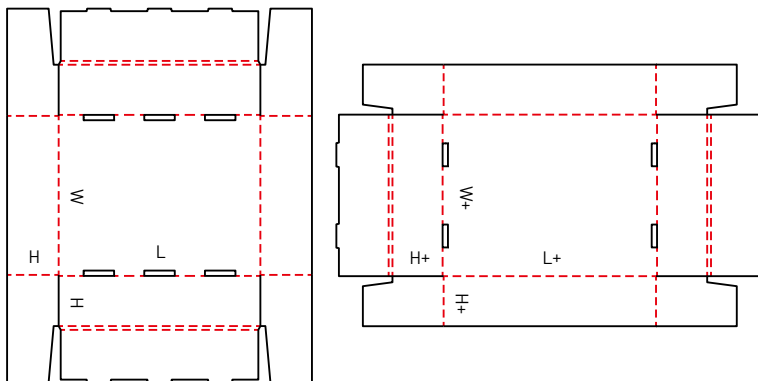
## 0323 M



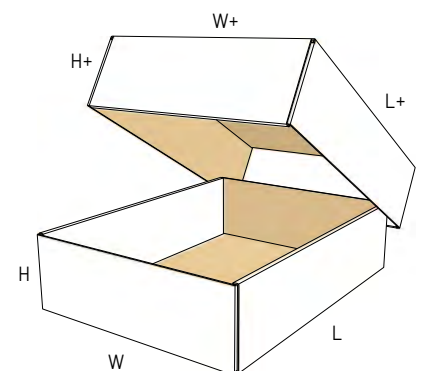
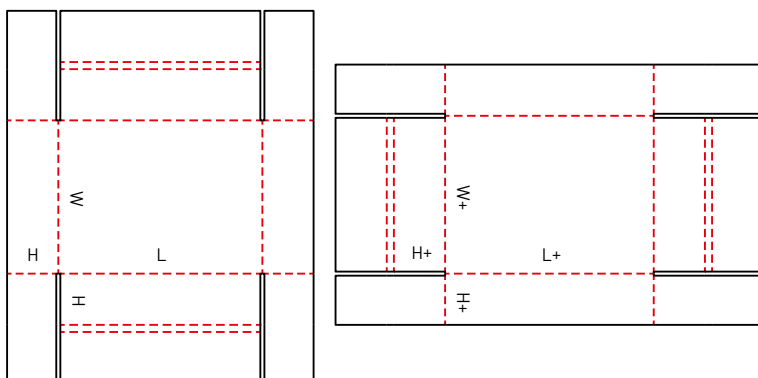
## 0325 M/A



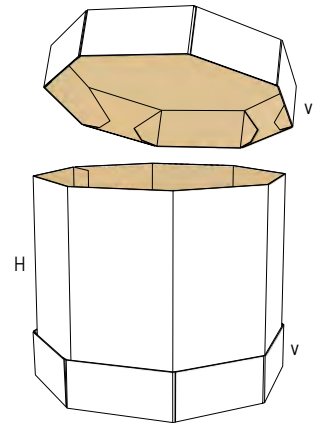
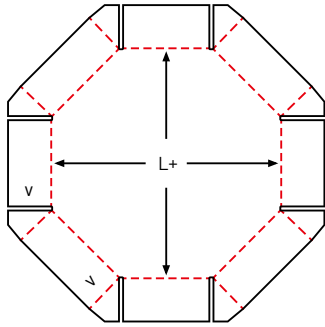
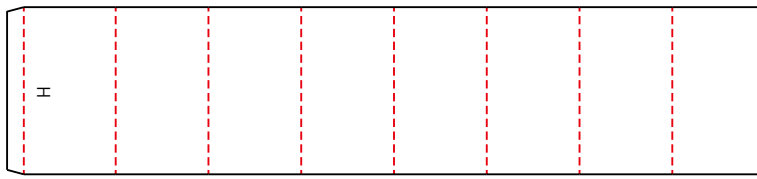
## 0330 M/A



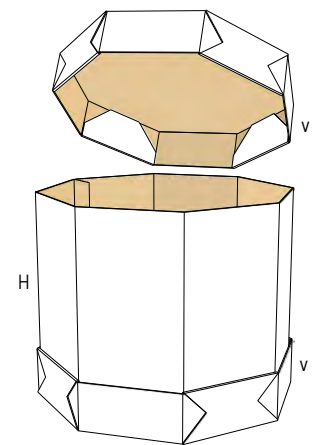
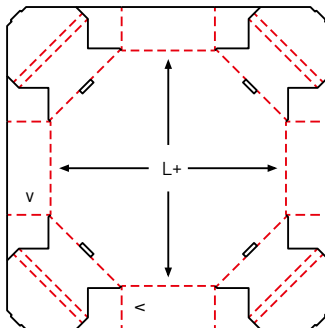
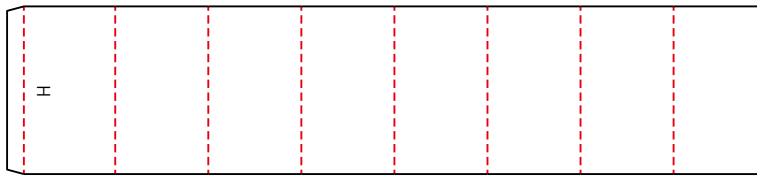
## 0331 M/A



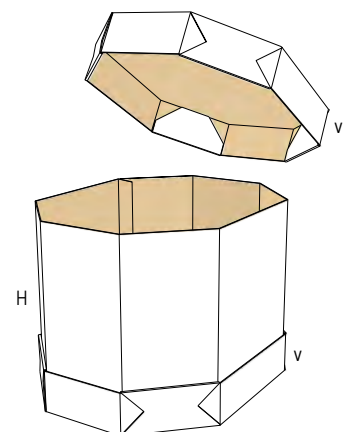
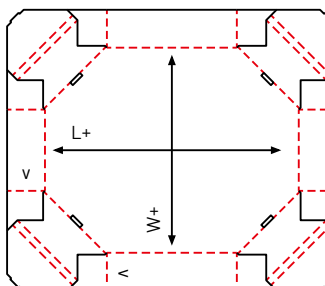
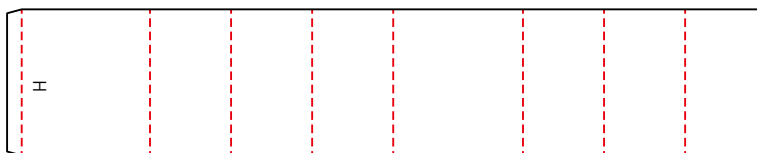
## 0350 A



## 0351 M/A

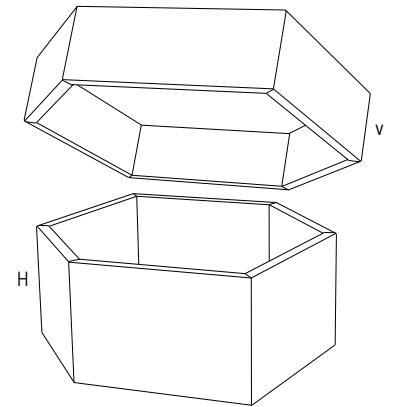
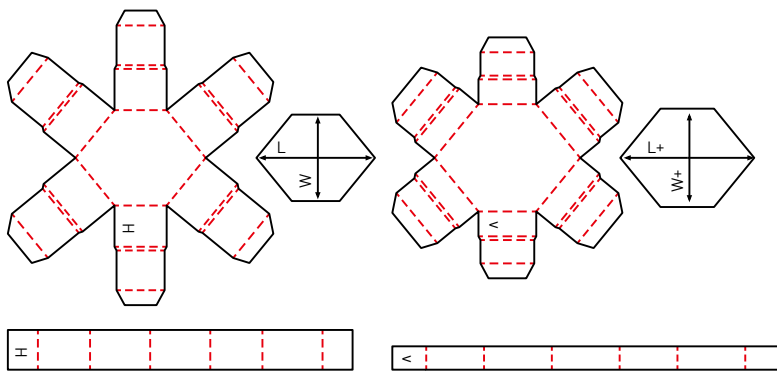


## 0352 M/A



0360 M

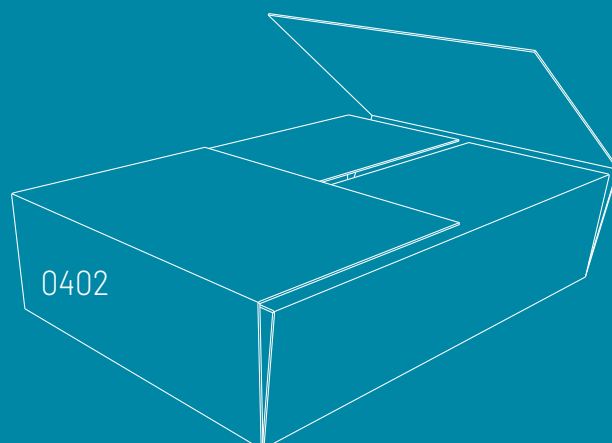
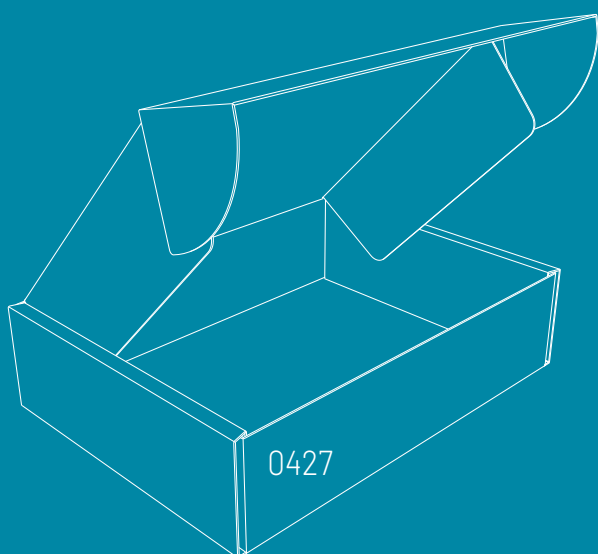
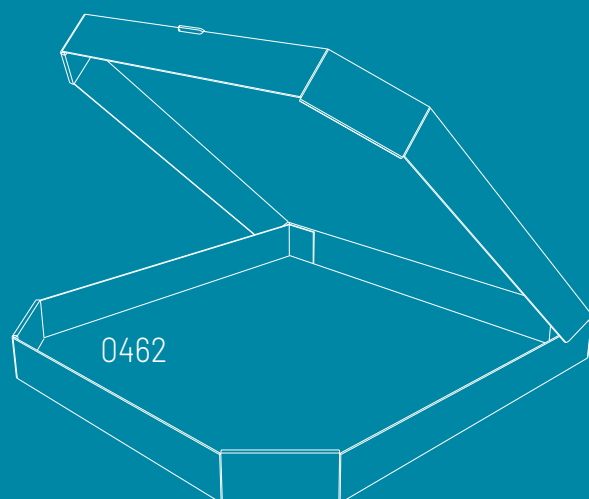
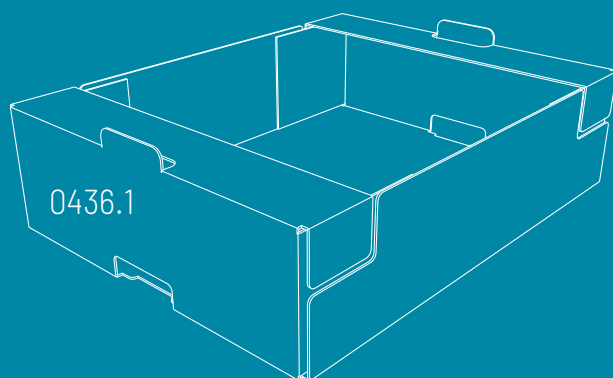
NEW



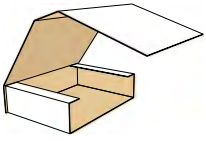


## FOLDER BOXES AND TRAYS

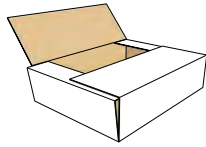
Folder boxes and trays are usually made from one piece of board. The bottom of the box is hinged to form two or all side walls and the cover. Locking tabs, handles, display panels, etc. can be incorporated in some designs.



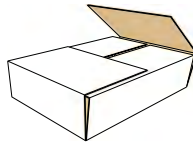
0400 M



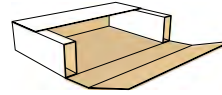
0401 M



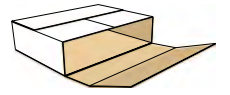
0402 M



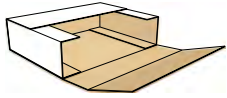
0403 M



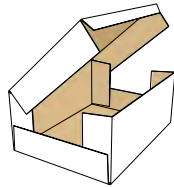
0404 M



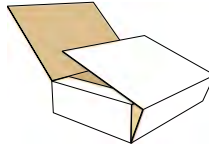
0405 M



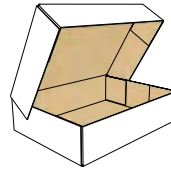
0406 A



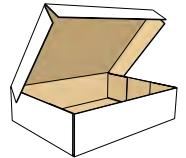
0407 M  
NEW



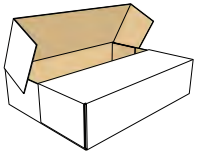
0409 M/A



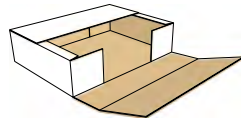
0410 M/A



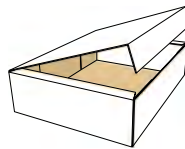
0411 M/A



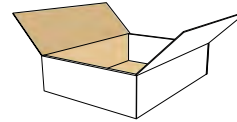
0412 M



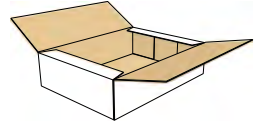
0413 M/A



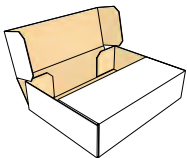
0414 M  
NEW



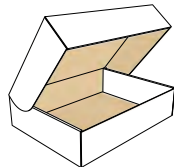
0415 M/A



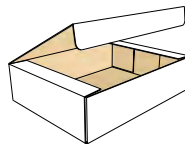
0416 M



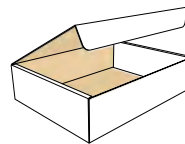
0418 M  
NEW



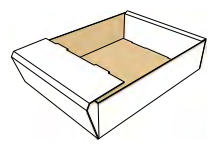
0420 M/A



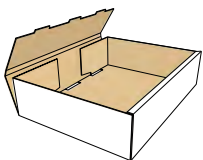
0421 M/A



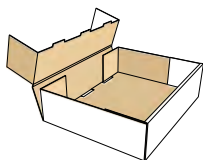
0422 M/A



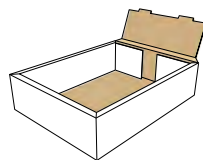
0423 M/A



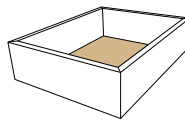
0424 M/A



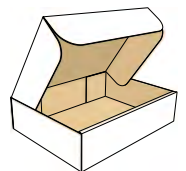
0425 M/A



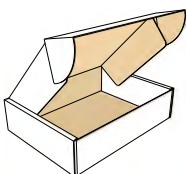
0425.1 M/A  
NEW



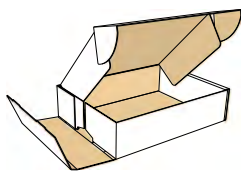
0426 M



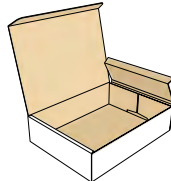
0427 M



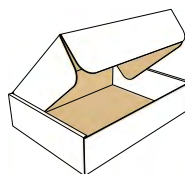
0427.1 M  
NEW



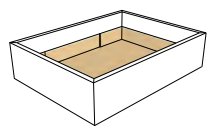
0428 M



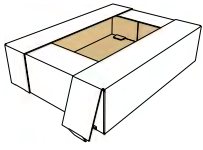
0429 M



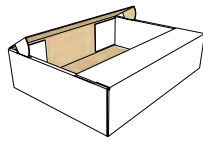
0430 M/A



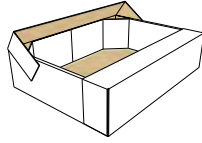
0431 M



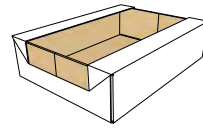
0432 M



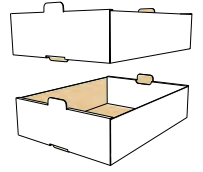
0433 M



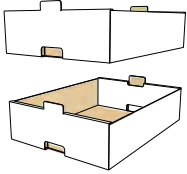
0434 A



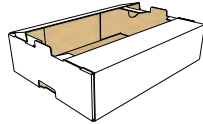
0435 M/A



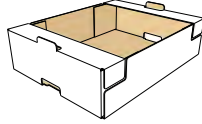
0435.1 M/A  
NEW



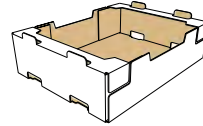
0436 M



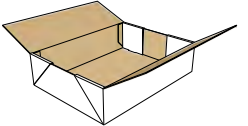
0436.1 A  
NEW



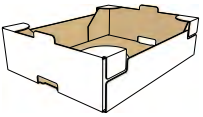
0436.2 A  
NEW



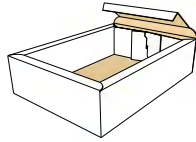
0437 M



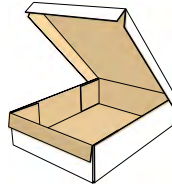
0438 A  
NEW



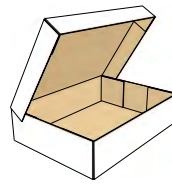
0439 M  
NEW



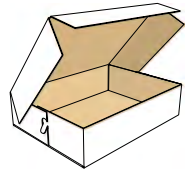
0440 A



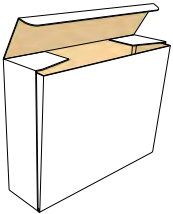
0441 A



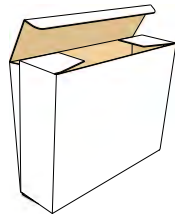
0442 M



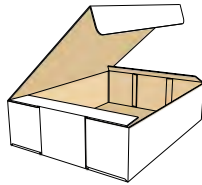
0443 M



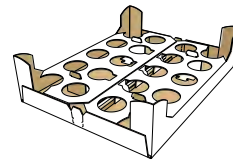
0444 M



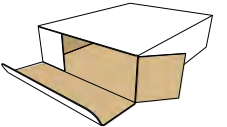
0445 M



0446 A



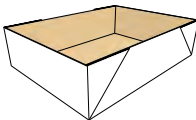
0447 M



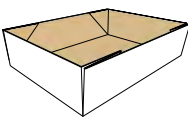
0448 M



0449 M



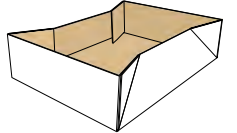
0449.1 M  
NEW



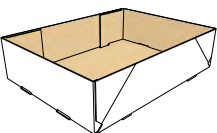
0450 M



0451 M



0451.1 M  
NEW



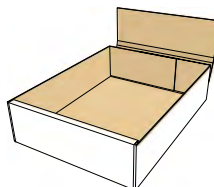
0452 A



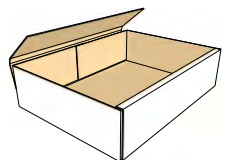
0453 A



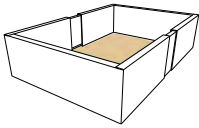
0454 M



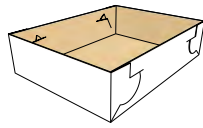
0455 M



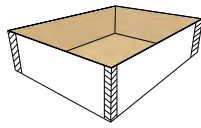
**0456 M**



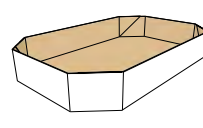
**0457 M**



**0458 M**



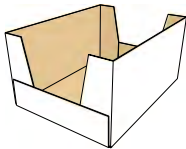
**0459 A**



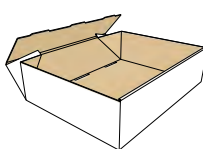
**0459.1 A**  
NEW



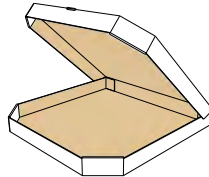
**0460 A**



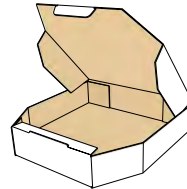
**0461 M/A**  
NEW



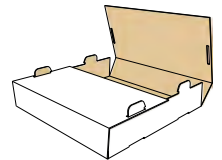
**0462 M**  
NEW



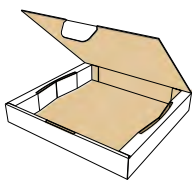
**0463 M**  
NEW



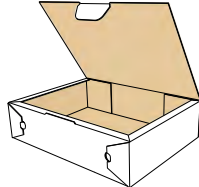
**0464 M**  
NEW



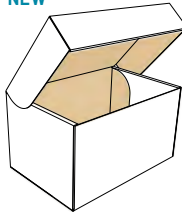
**0465 M**  
NEW



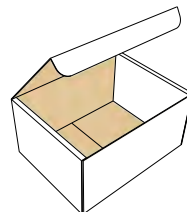
**0466 M**  
NEW



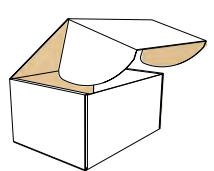
**0469 M**  
NEW



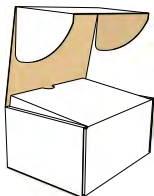
**0470 M**



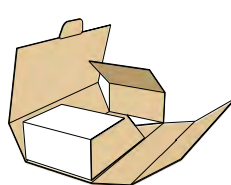
**0471 M**



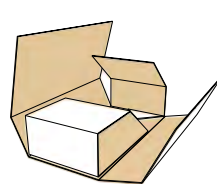
**0472 M**



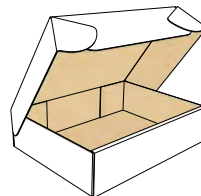
**0473 M**



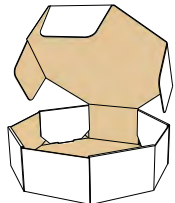
**0474 M**  
NEW



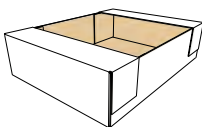
**0475 M**  
NEW



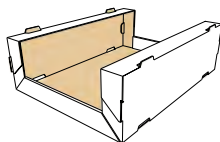
**0476 M**  
NEW



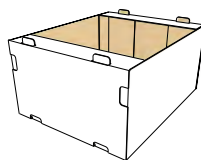
**0480 A**



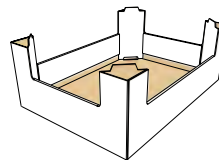
**0481 M**  
NEW



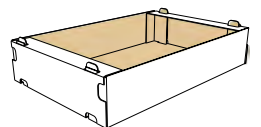
**0482 M**  
NEW



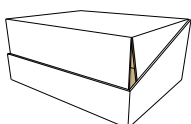
**0483 A**  
NEW



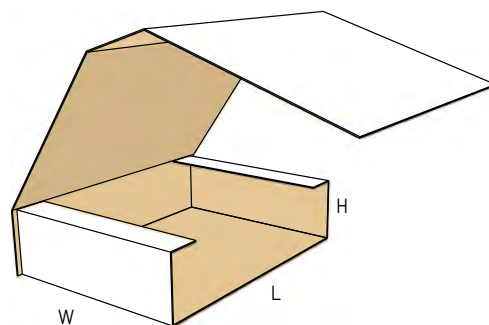
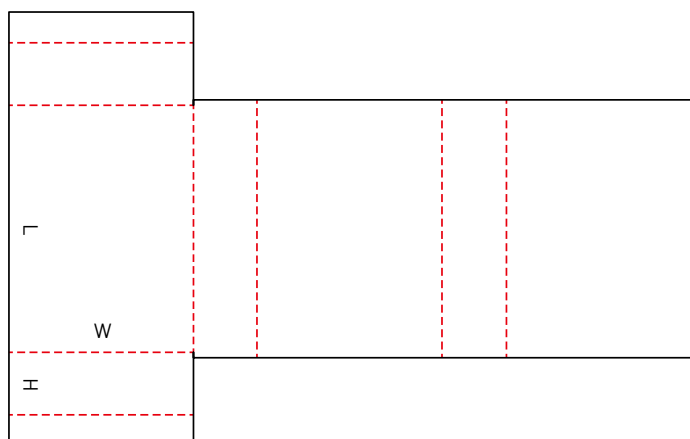
**0484 M**  
NEW



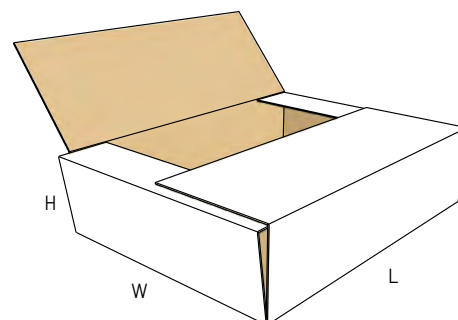
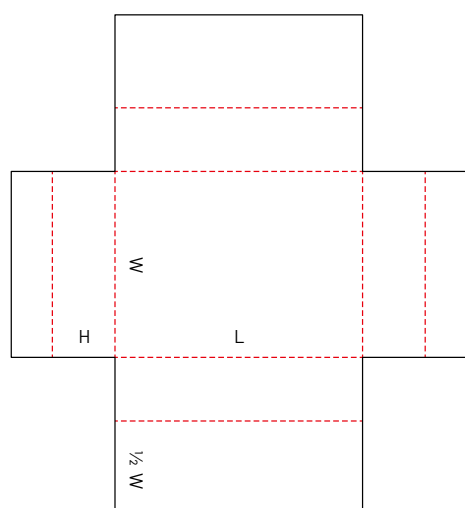
**0485 M**  
NEW



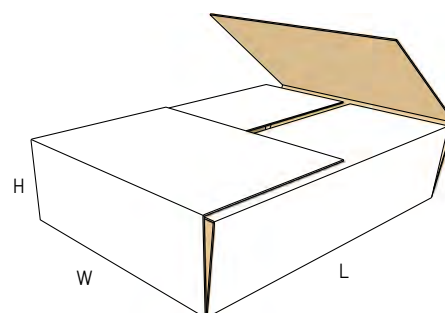
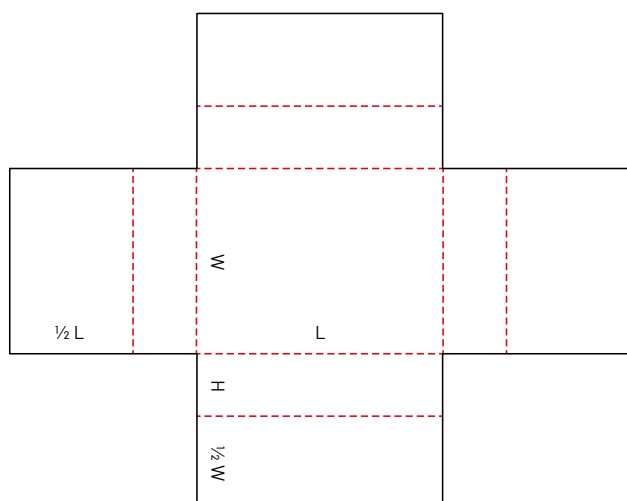
## 0400 M



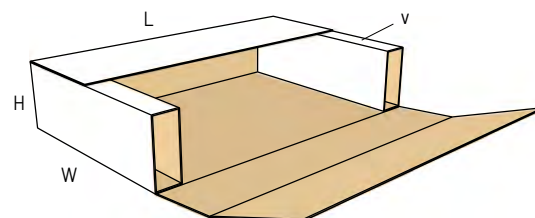
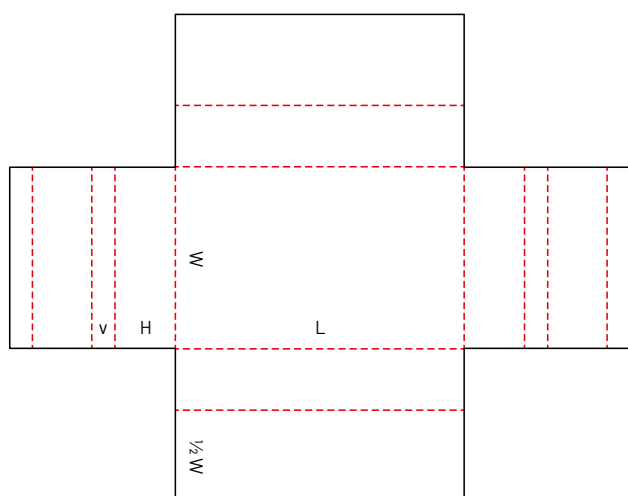
## 0401 M



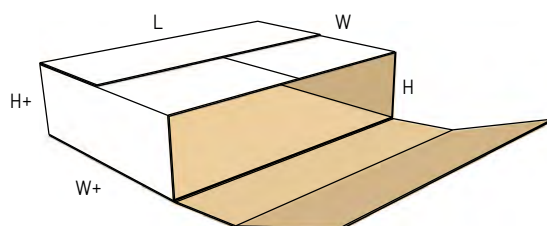
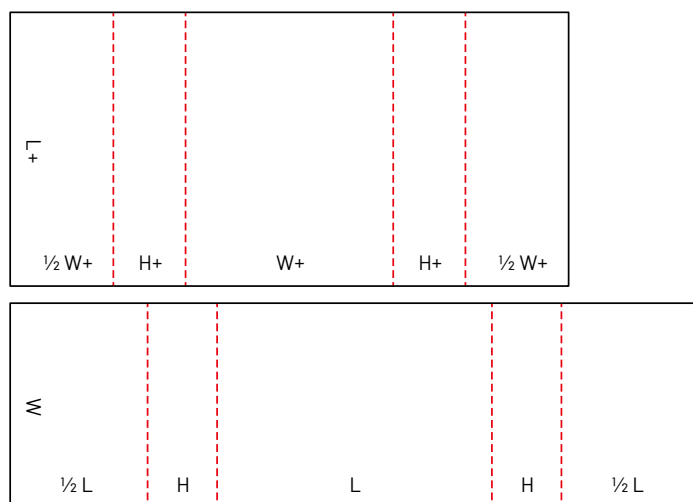
## 0402 M



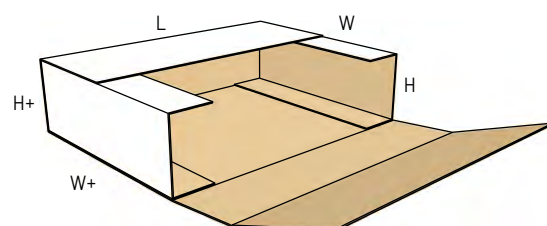
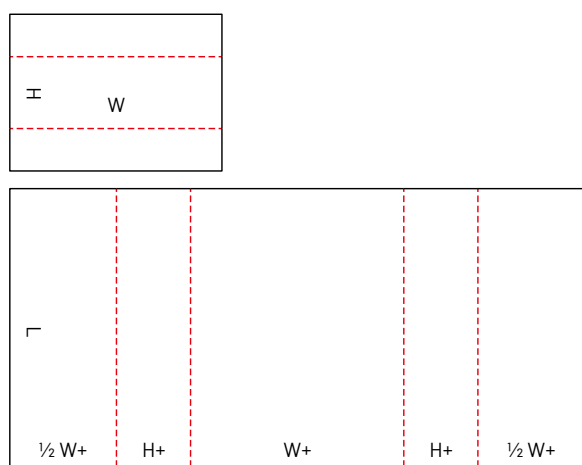
## 0403 M



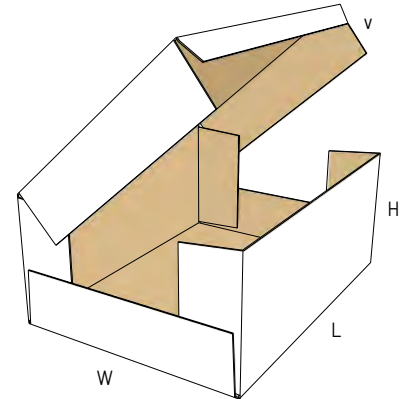
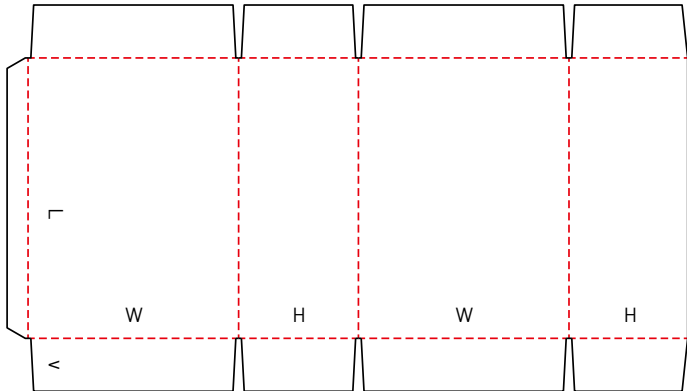
## 0404 M



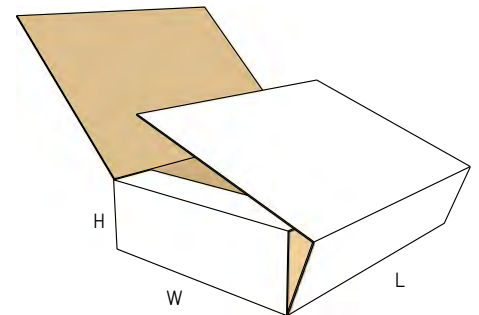
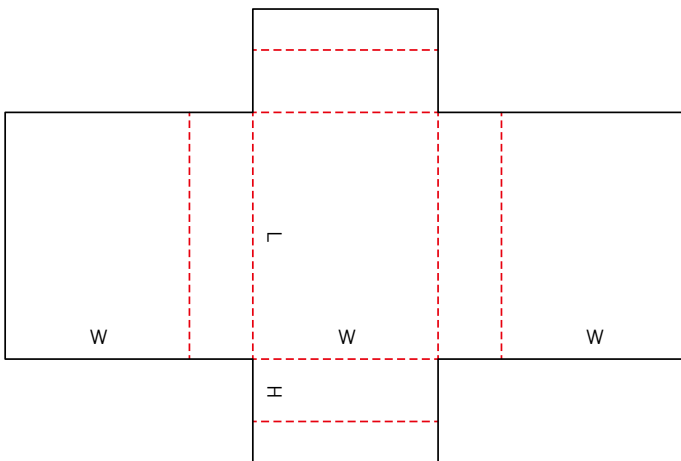
## 0405 M



## 0406 A

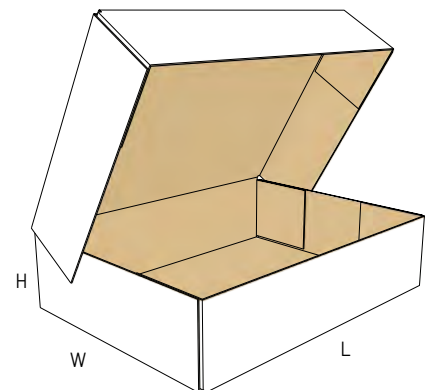
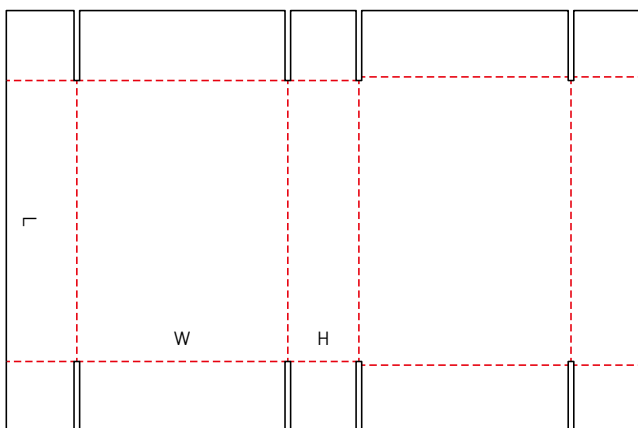


## 0407 M

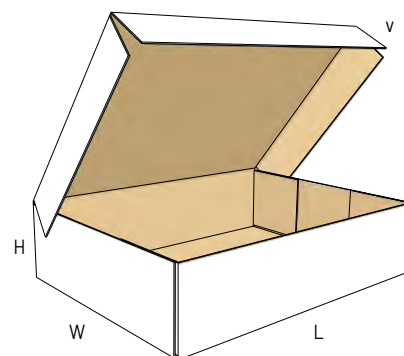
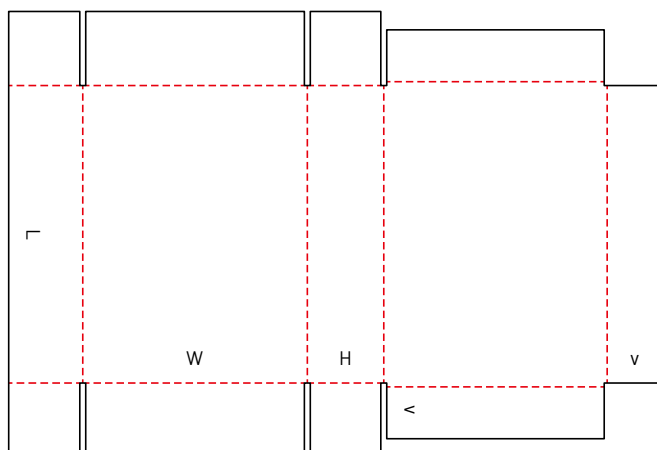


NEW

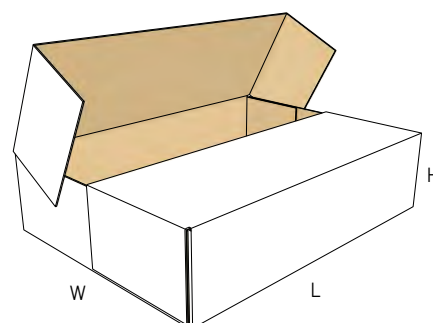
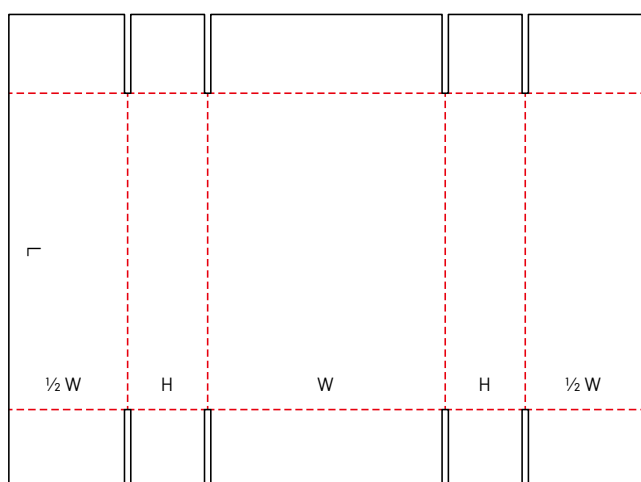
## 0409 M/A



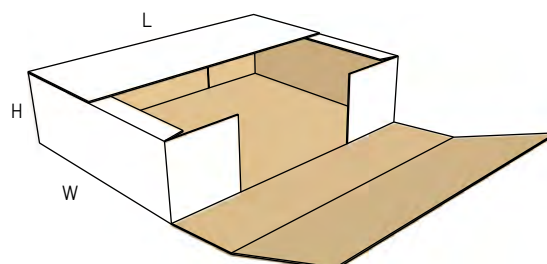
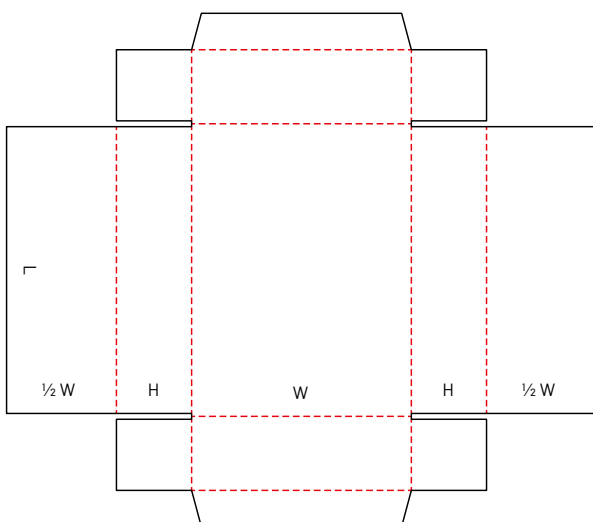
## 0410 M/A



## 0411 M/A

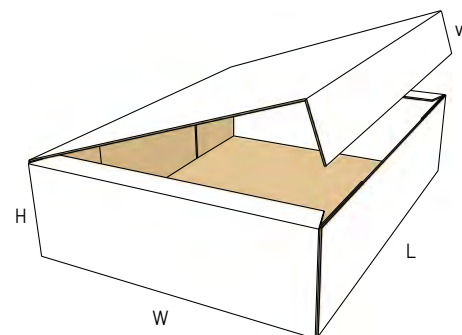
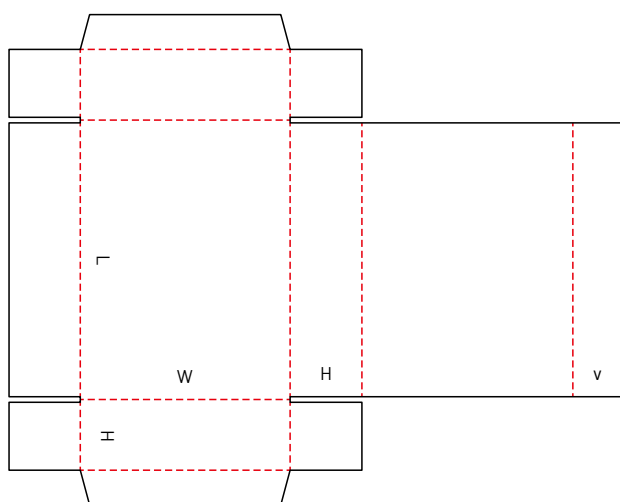


## 0412 M

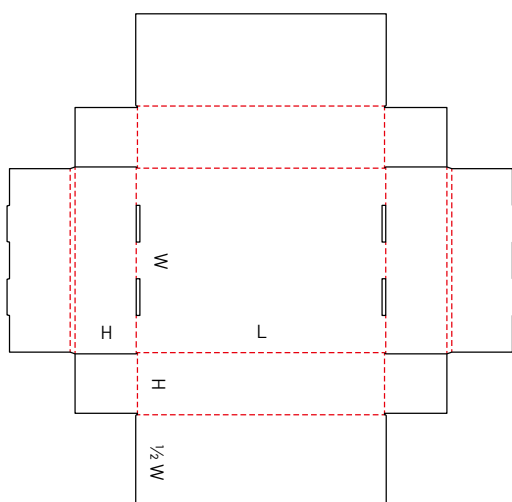




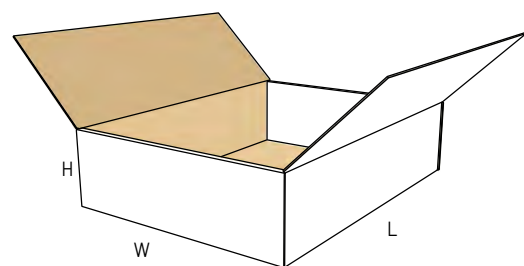
## 0413 M/A



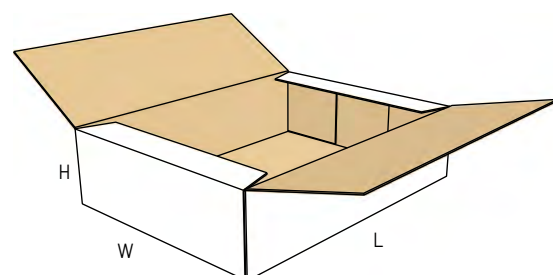
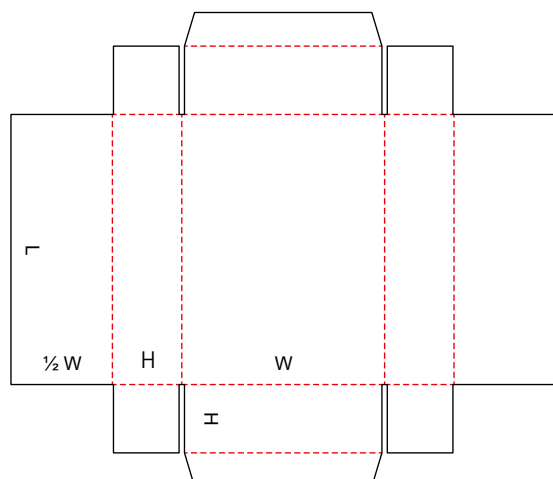
## 0414 M



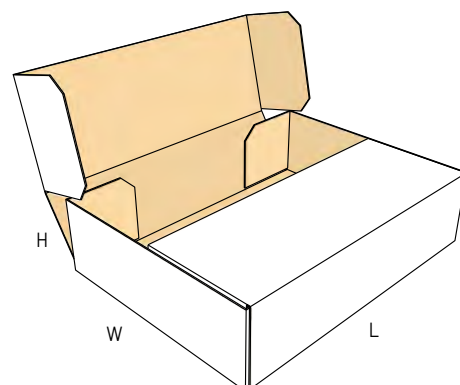
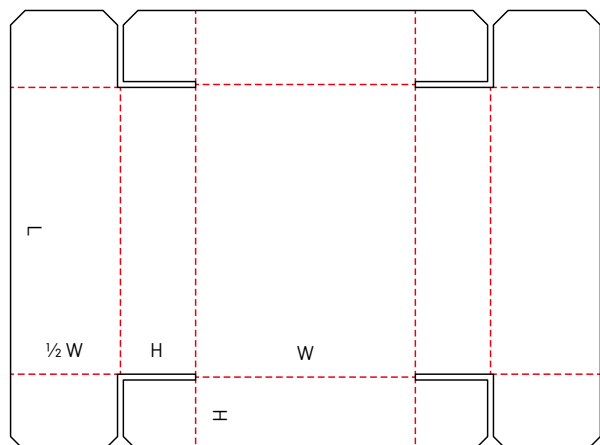
NEW



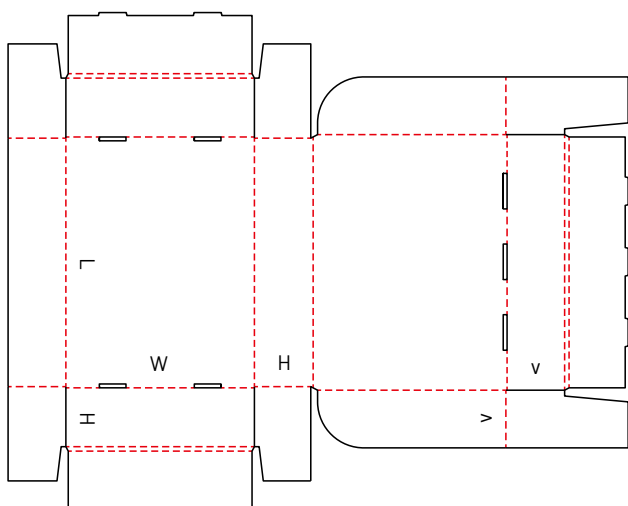
## 0415 M/A



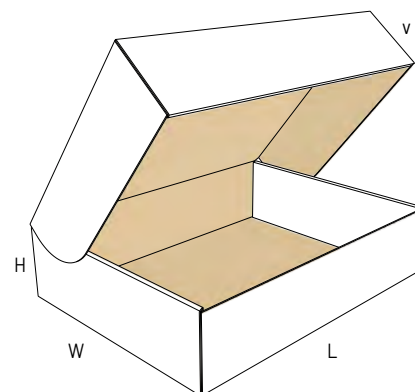
## 0416 M



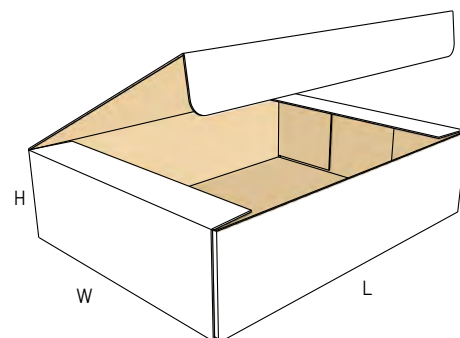
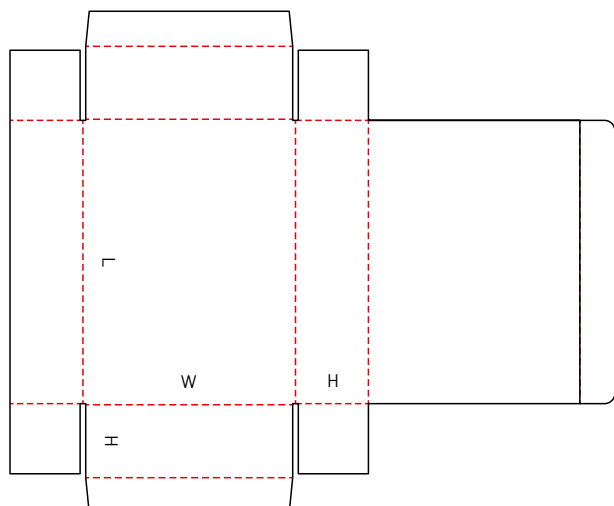
## 0418 M



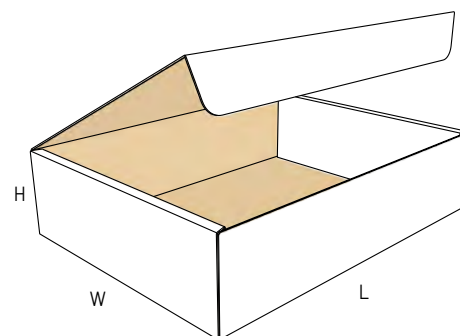
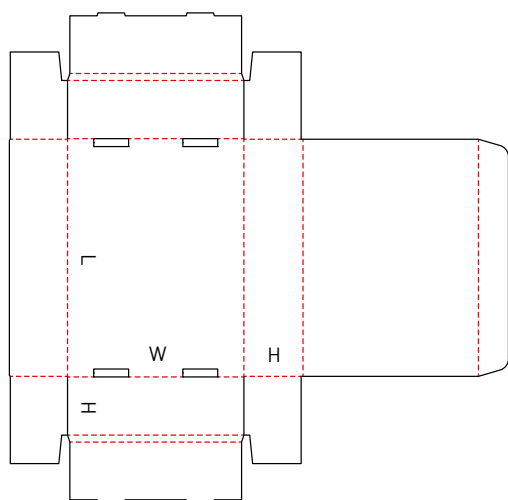
NEW



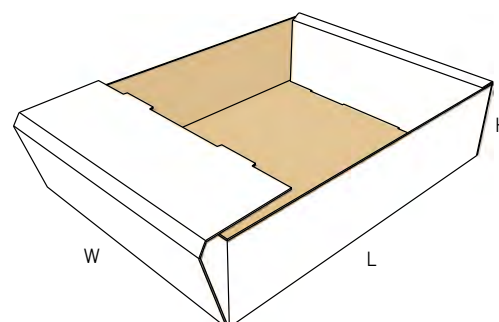
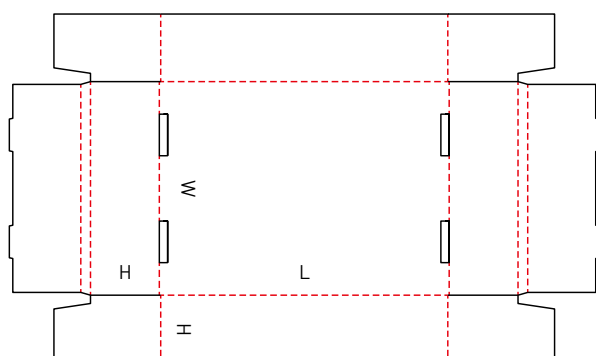
## 0420 M/A



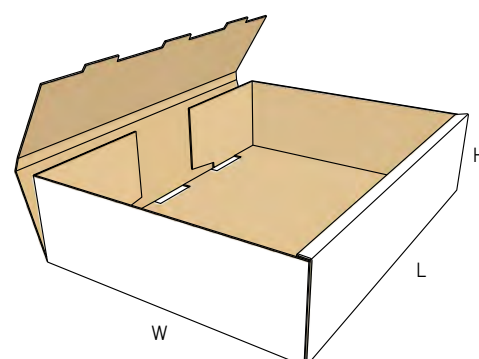
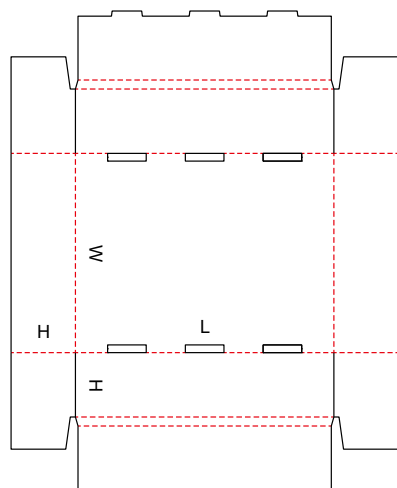
## 0421 M/A



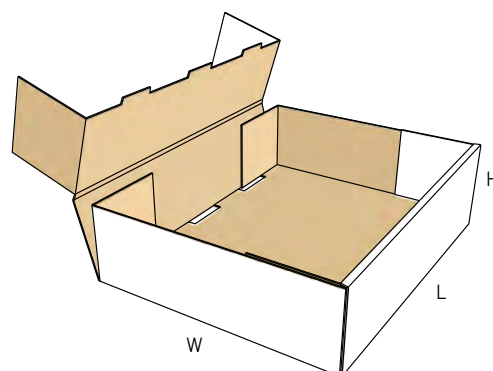
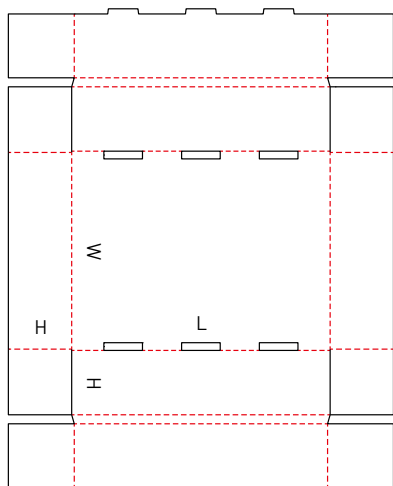
## 0422 M/A



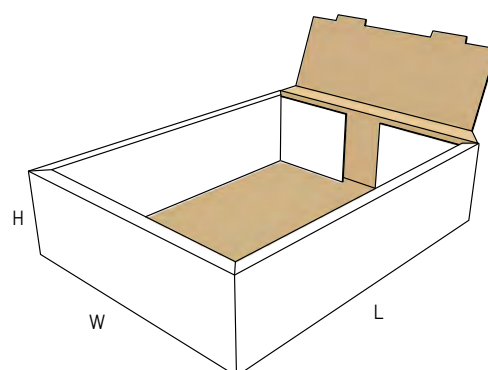
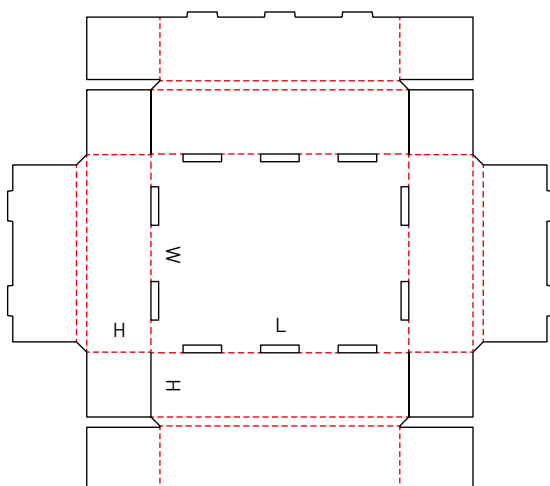
## 0423 M/A



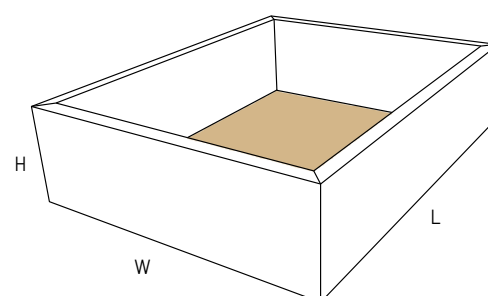
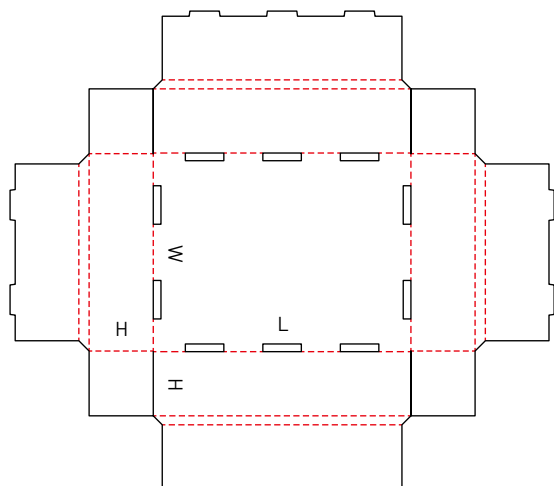
## 0424 M/A



## 0425 M/A

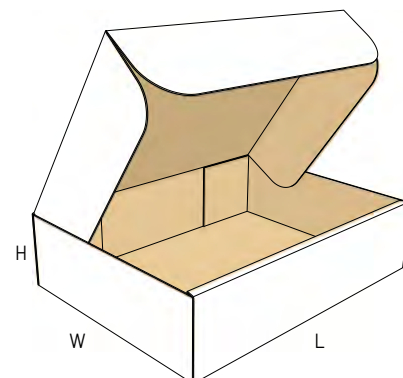
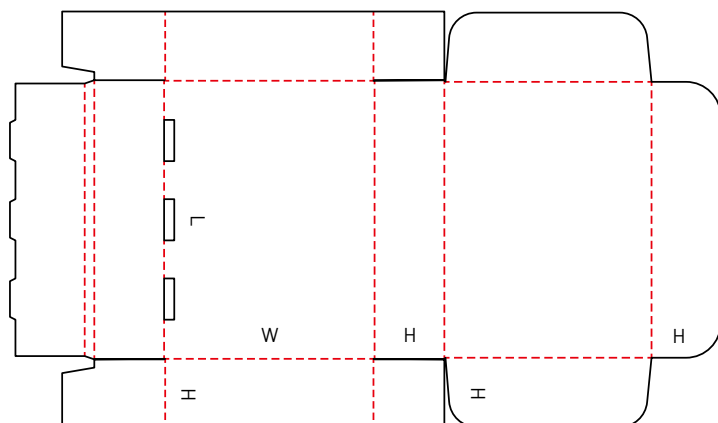


## 0425.1 M/A

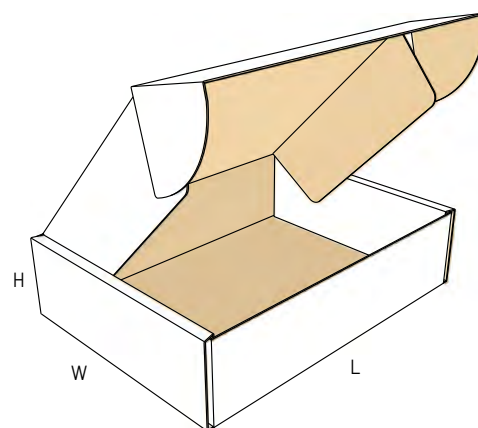
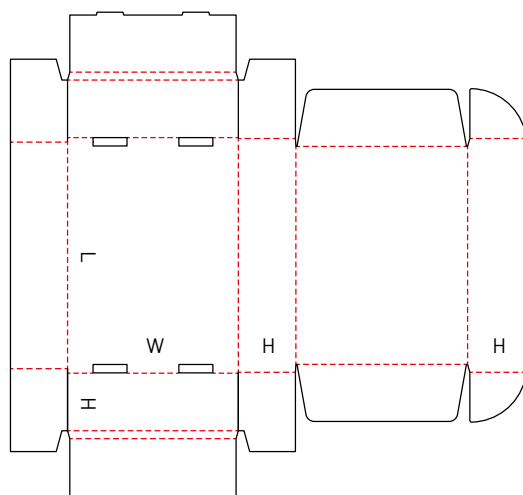


NEW

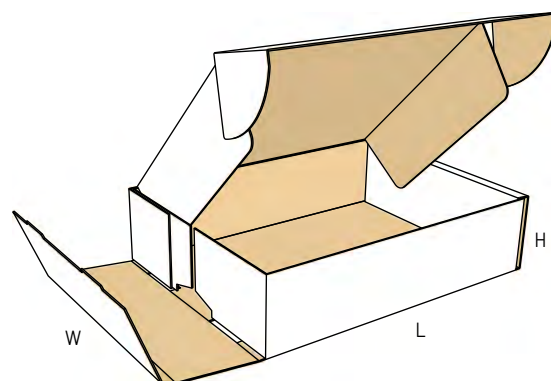
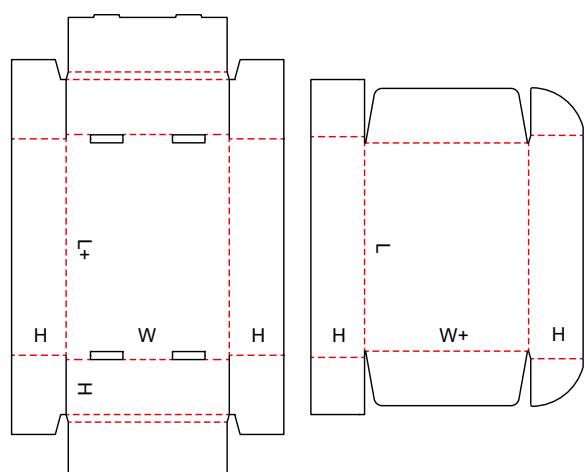
## 0426 M



## 0427 M

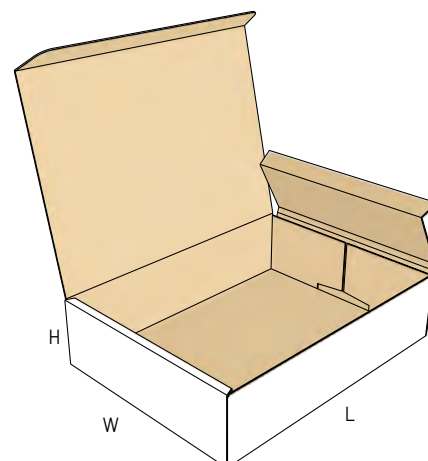
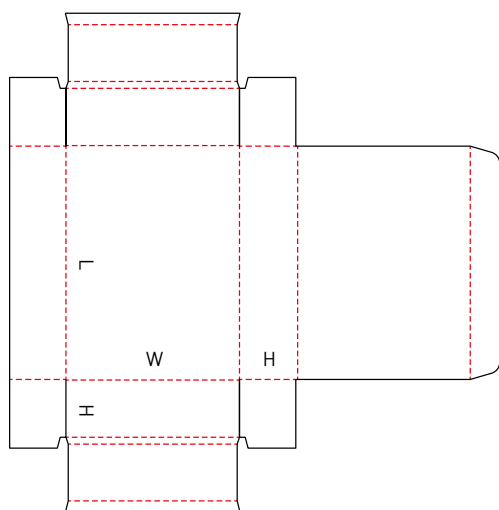


## 0427.1 M

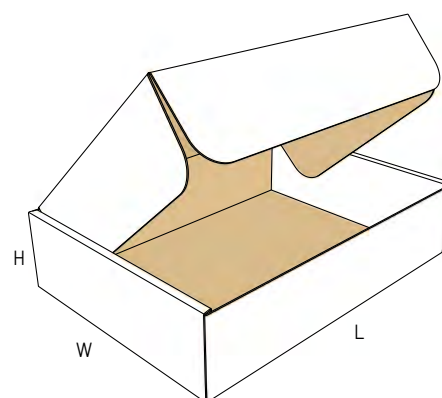
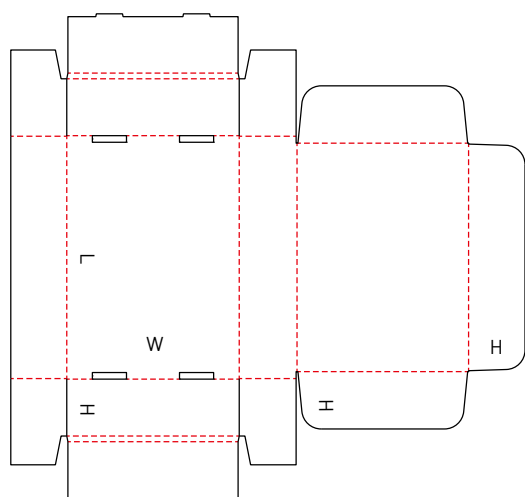


NEW

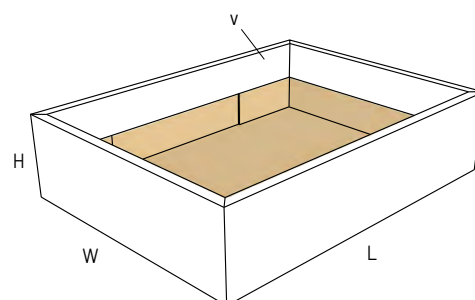
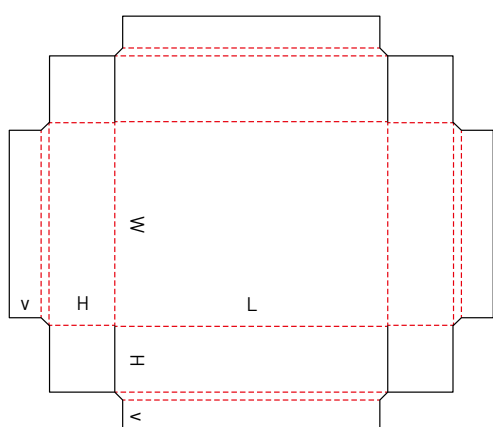
## 0428 M



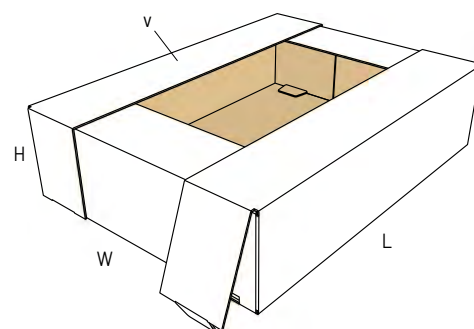
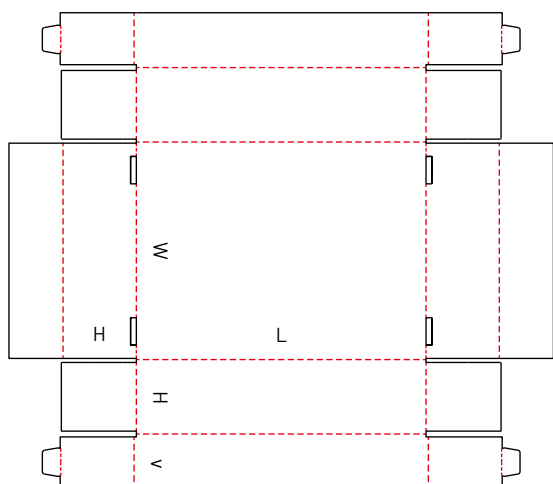
## 0429 M



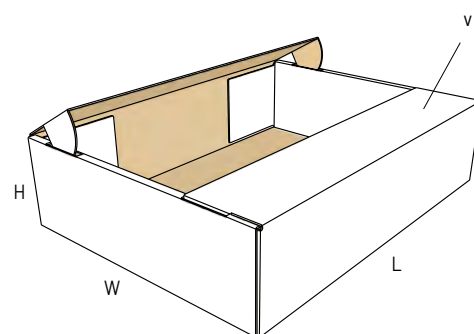
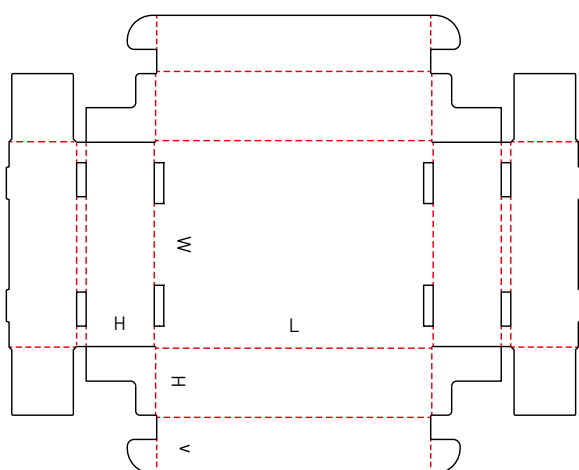
## 0430 M/A



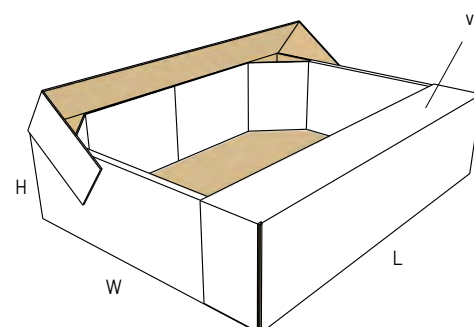
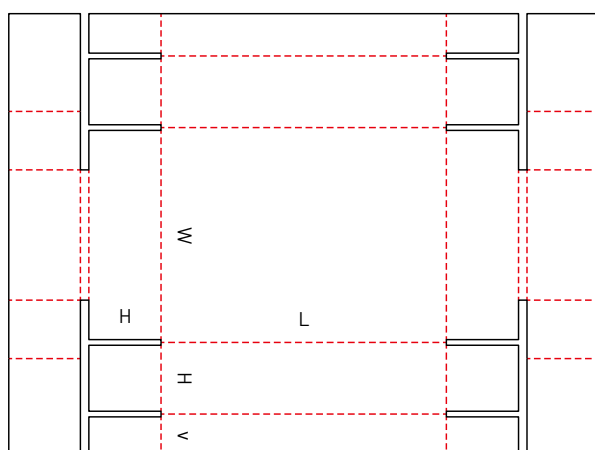
## 0431 M



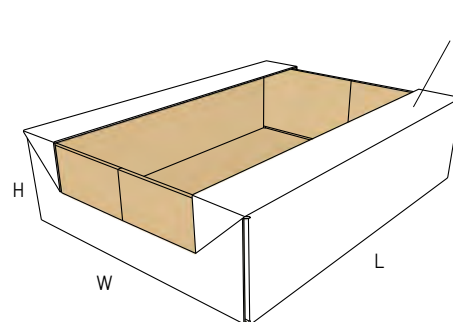
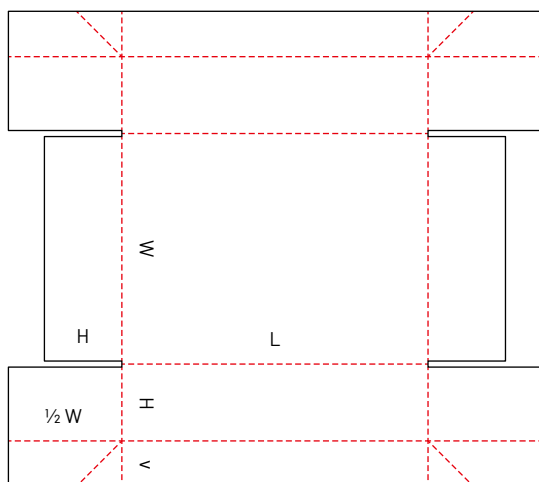
## 0432 M



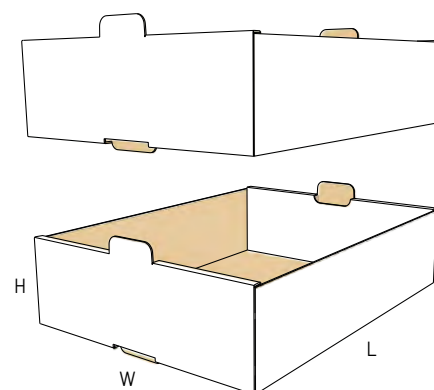
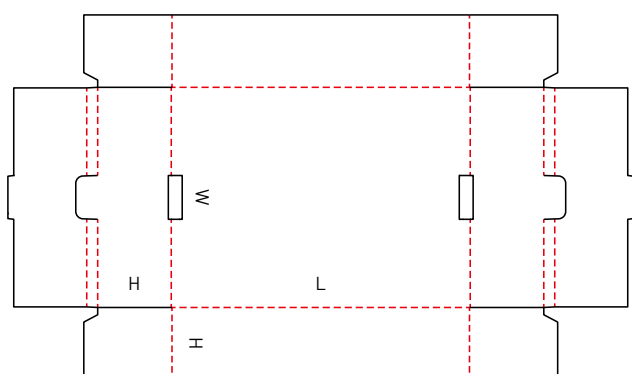
## 0433 M



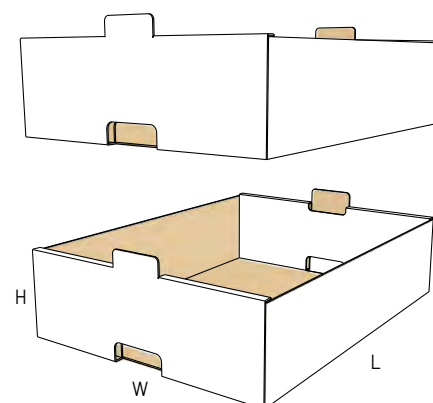
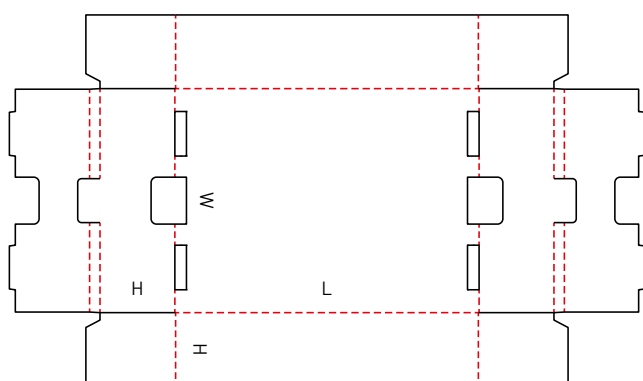
## 0434 A



## 0435 M/A



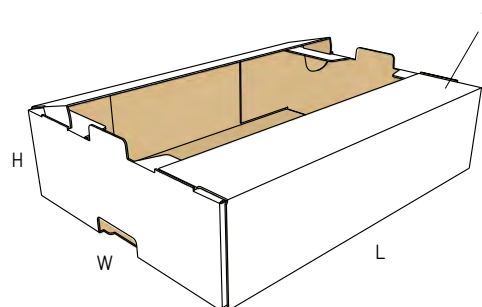
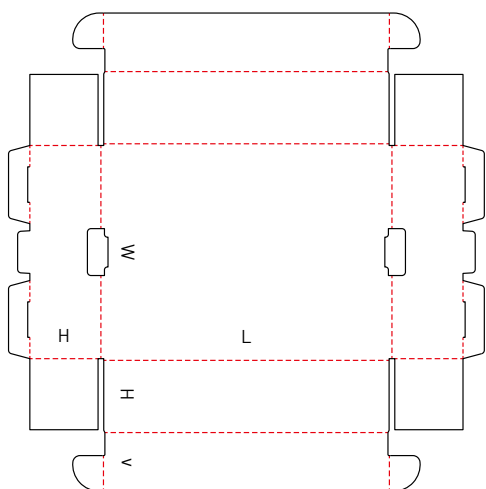
## 0435.1 M/A



NEW

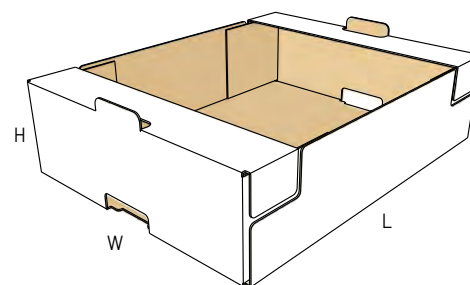
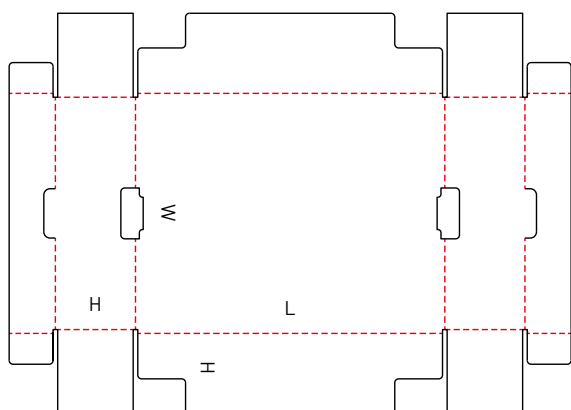


# 0436 M



Tabs and slots should conform with the FEFCO Common Footprint Quality (CFQ) Standard. The CFQ requirements and the stamp can be downloaded from FEFCO website.

# 0436.1 A

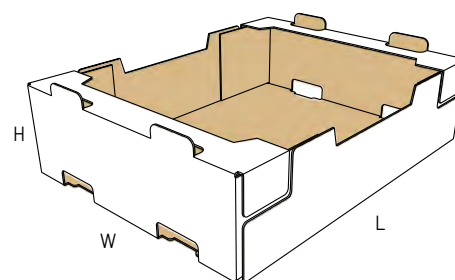
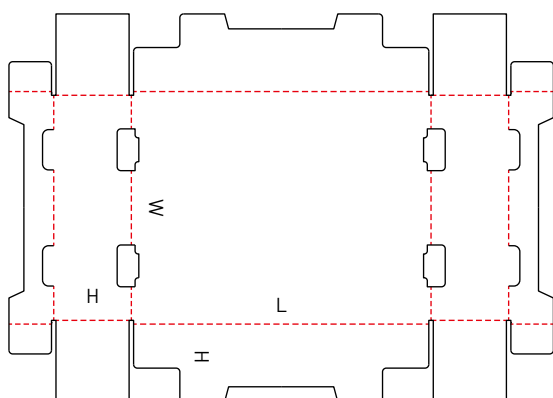


NEW



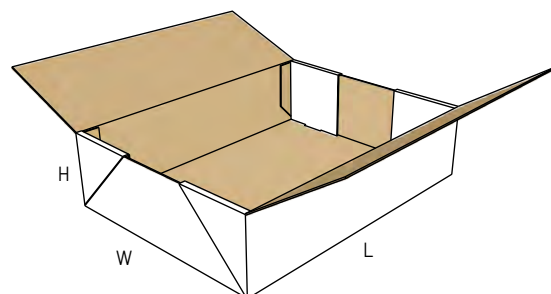
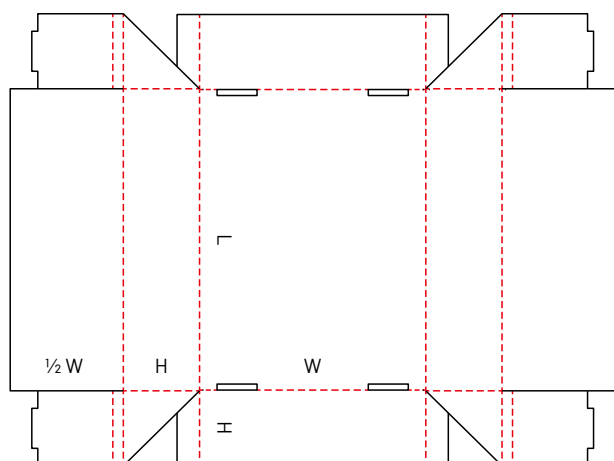
Tabs and slots should conform with the FEFCO Common Footprint Quality (CFQ) Standard. The CFQ requirements and the stamp can be downloaded from FEFCO website.

# 0436.2 A

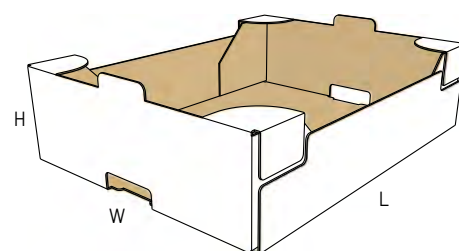
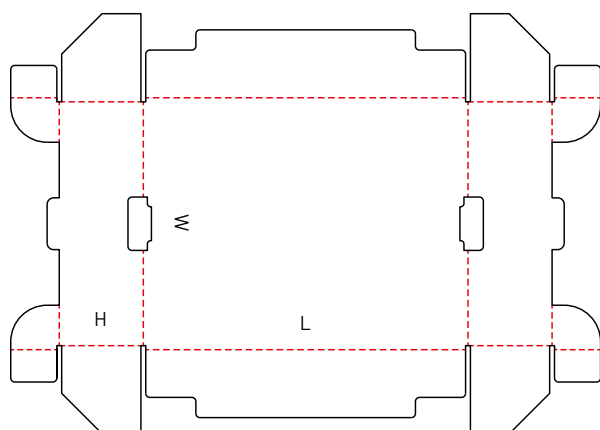


NEW

## 0437 M

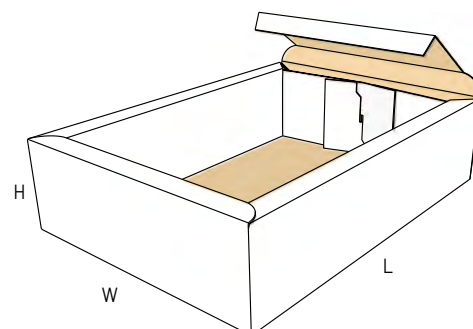
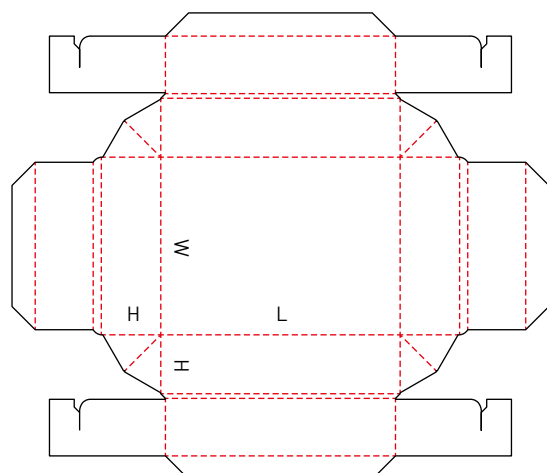


## 0438 A



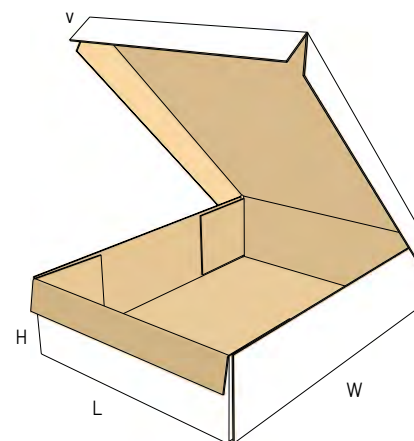
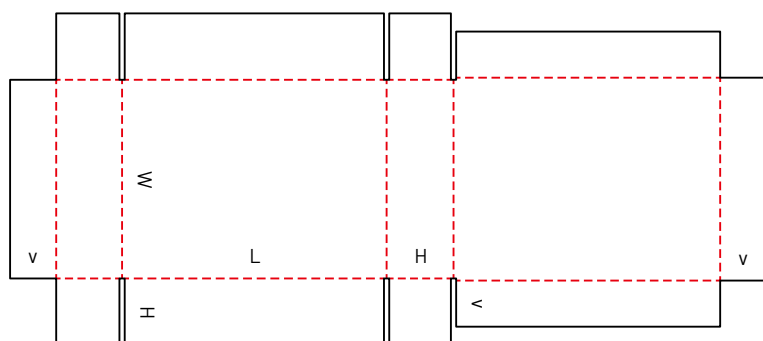
NEW

## 0439 M

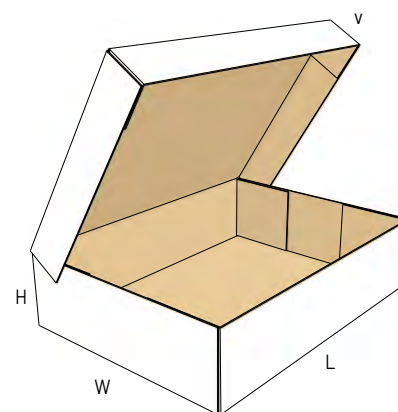
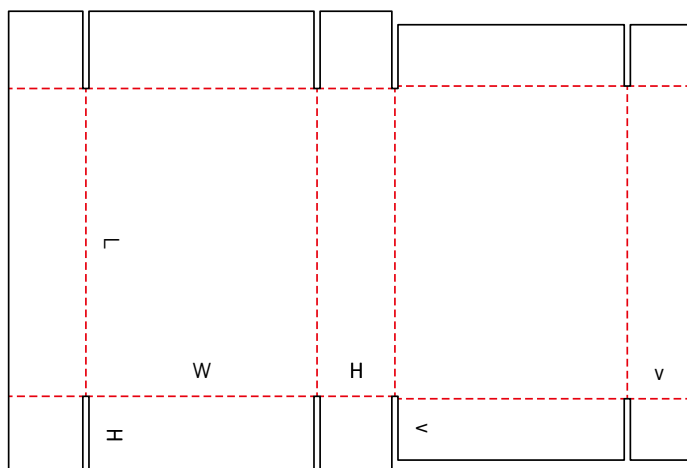


NEW

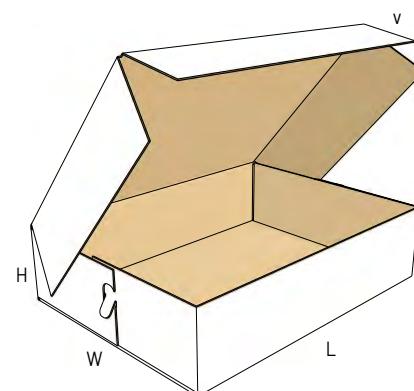
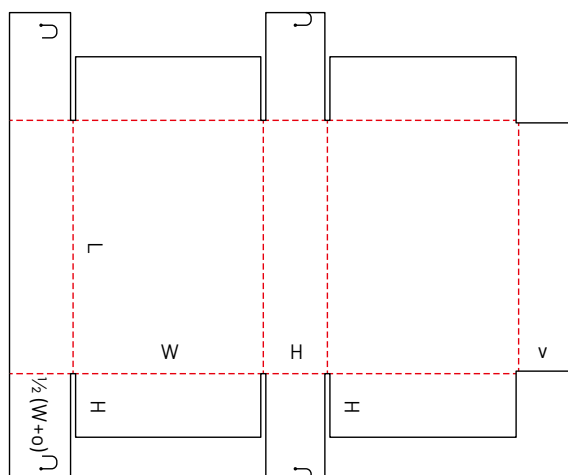
## 0440 A



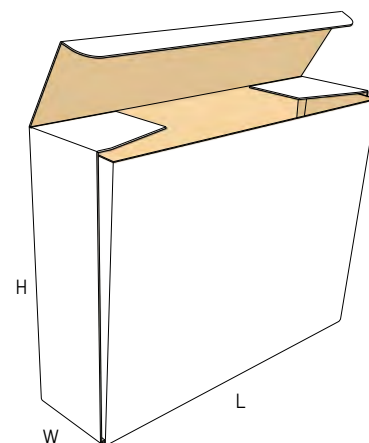
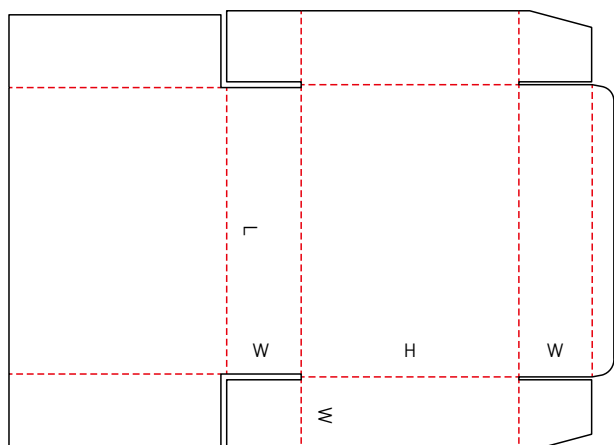
## 0441 A



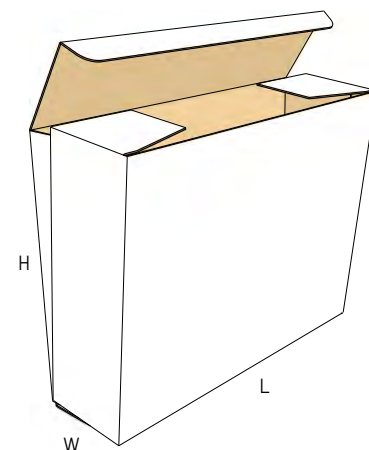
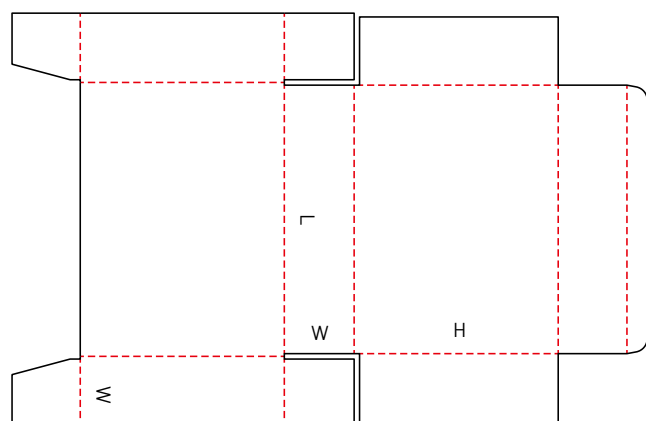
## 0442 M



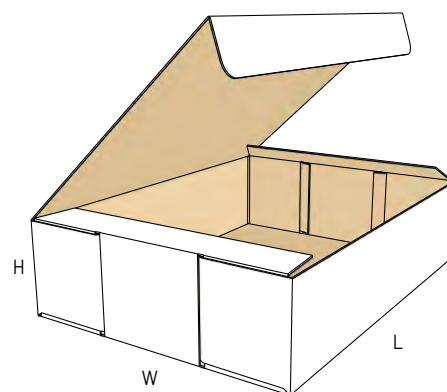
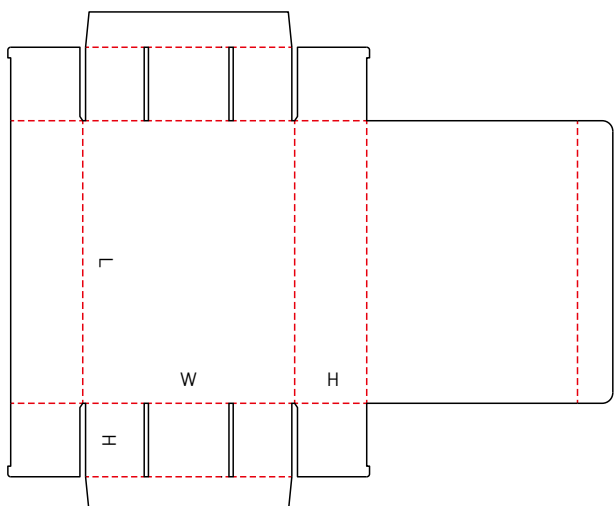
## 0443 M



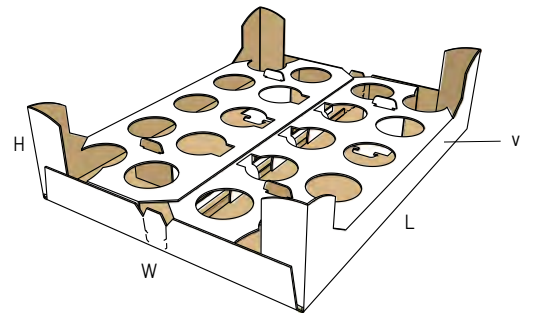
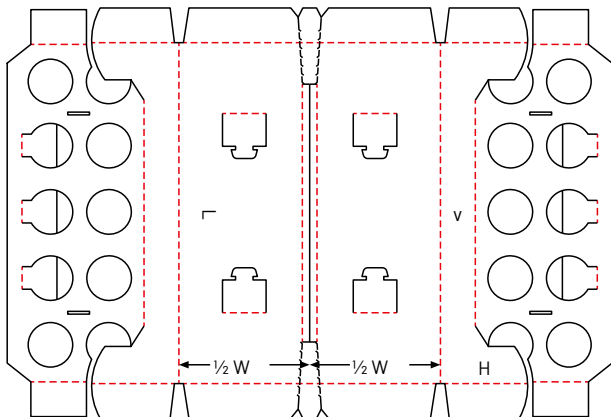
## 0444 M



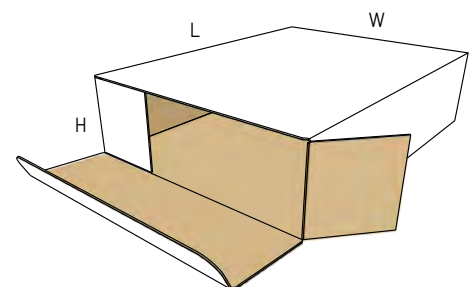
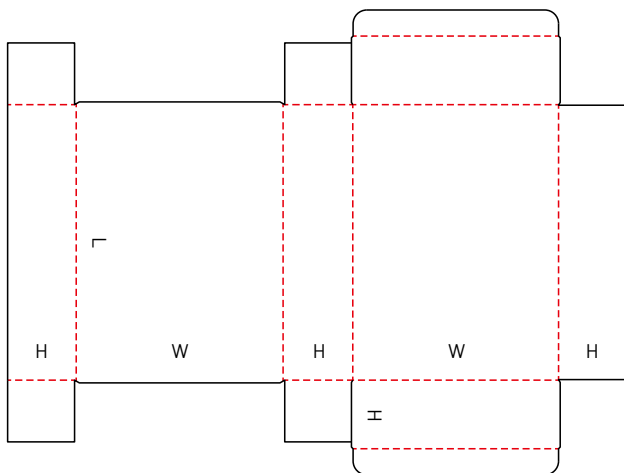
## 0445 M



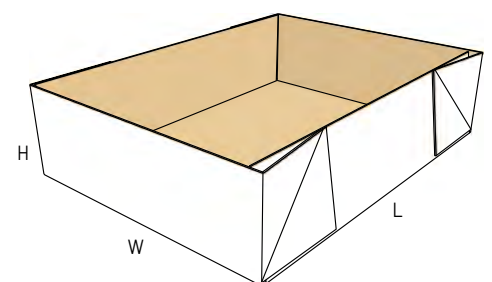
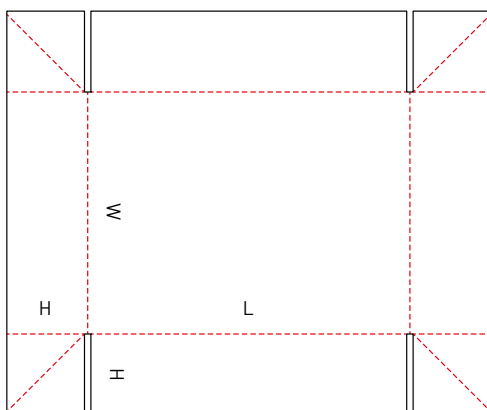
## 0446 A



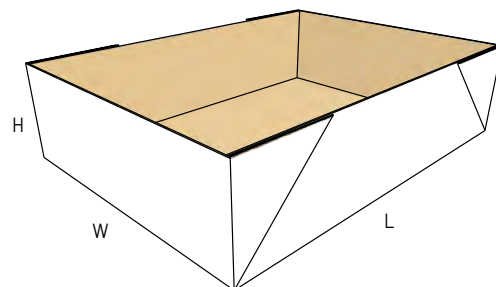
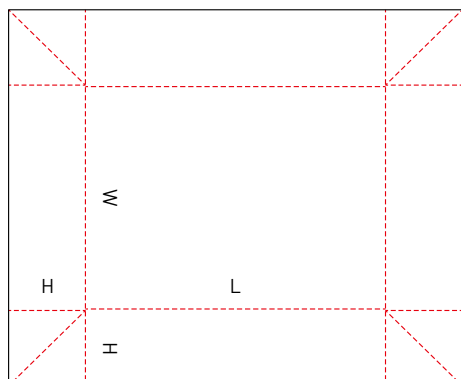
## 0447 M



## 0448 M

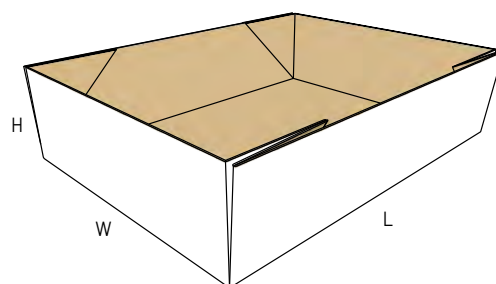
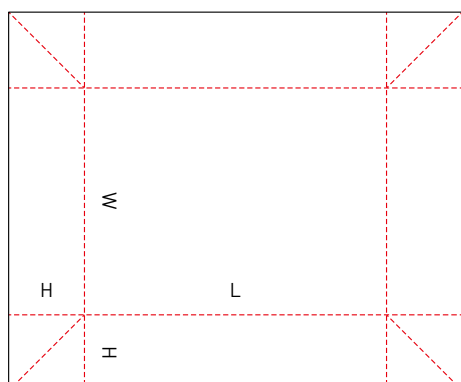


## 0449 M

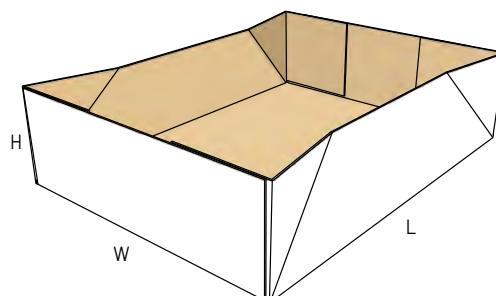
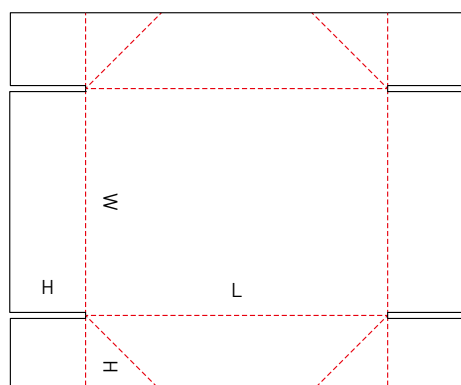


## 0449.1 M

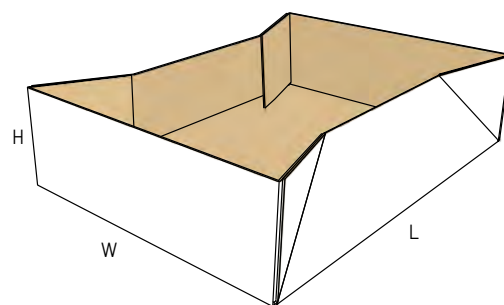
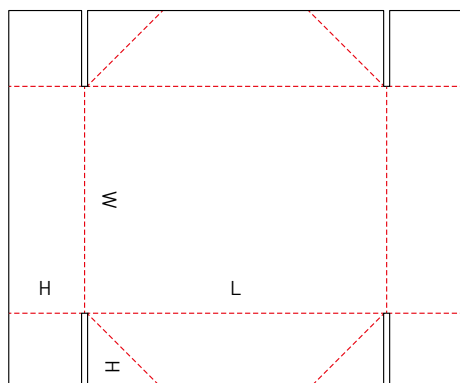
NEW



## 0450 M

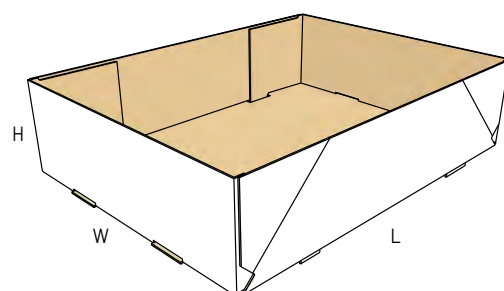
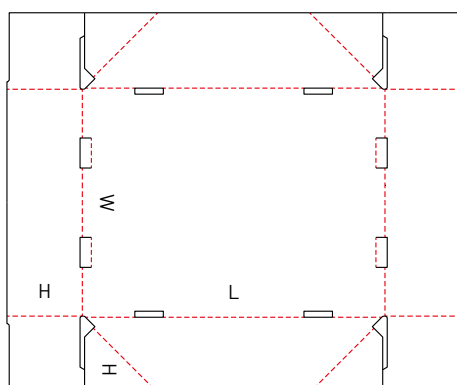


## 0451 M

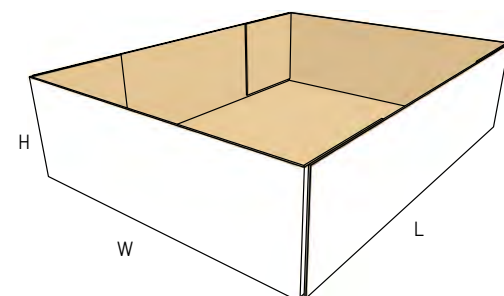
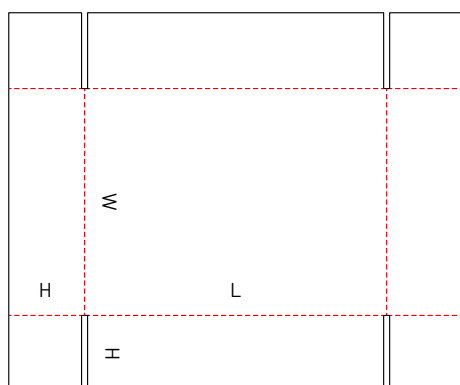


## 0451.1 M

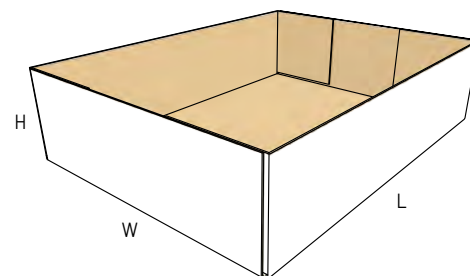
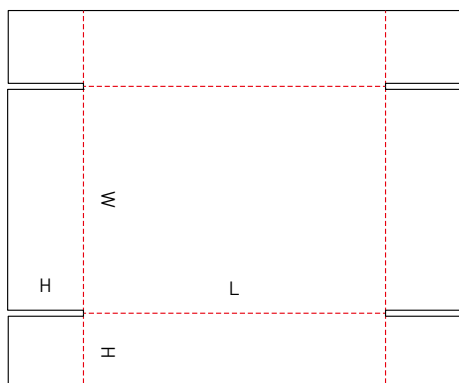
NEW



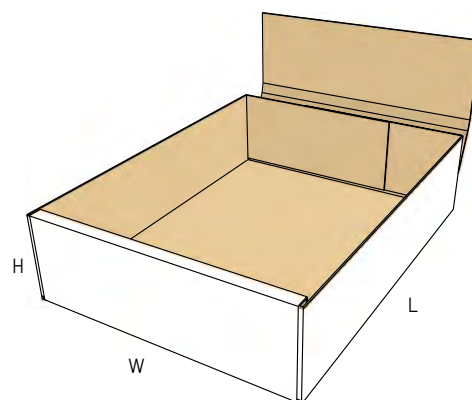
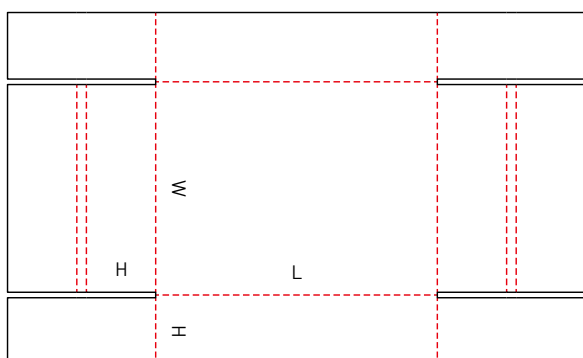
## 0452 A



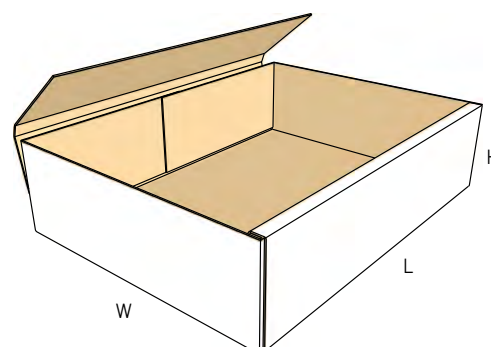
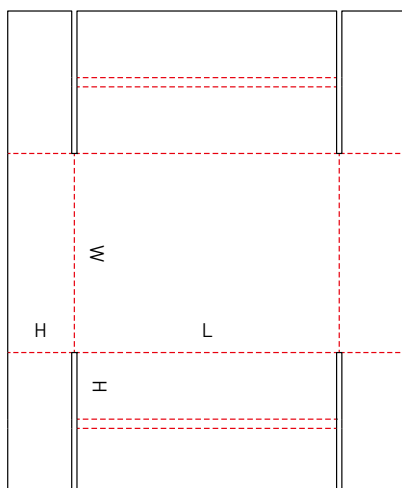
## 0453 A



## 0454 M

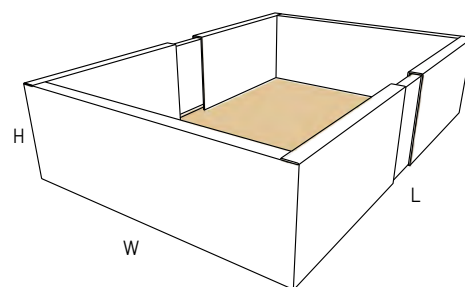
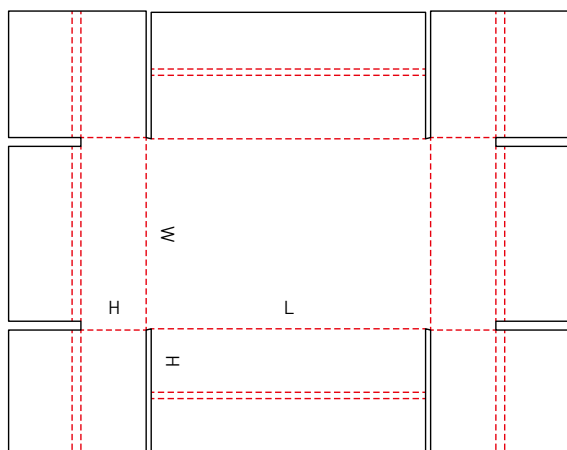


## 0455 M

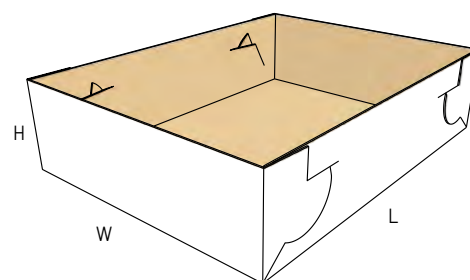
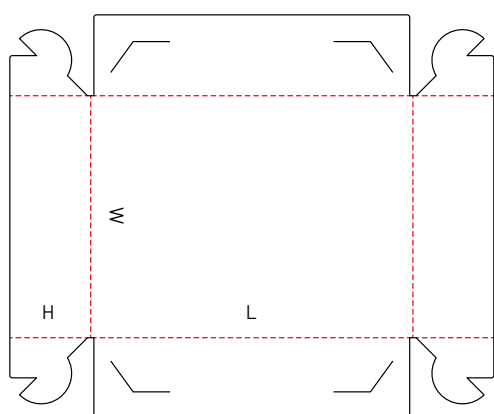




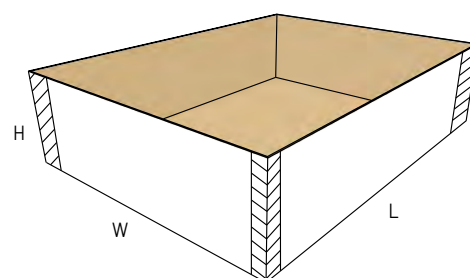
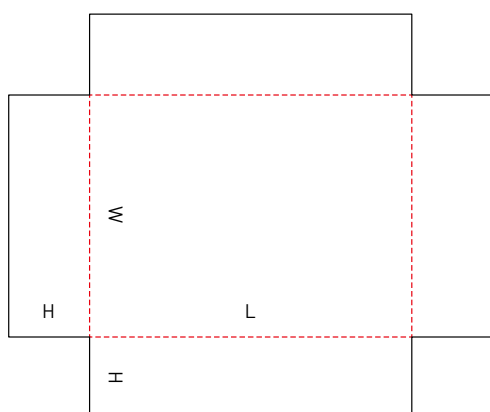
## 0456 M



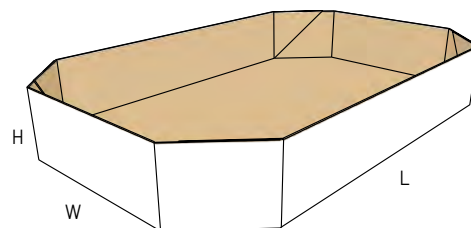
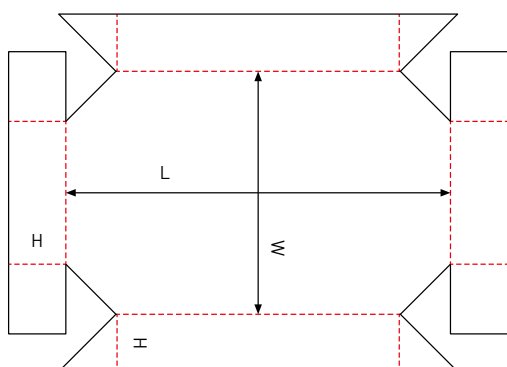
## 0457 M



## 0458 M

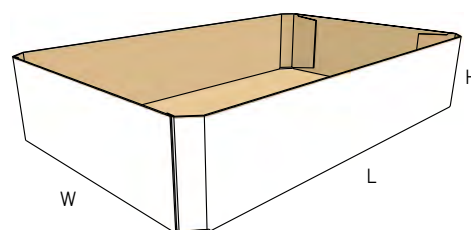
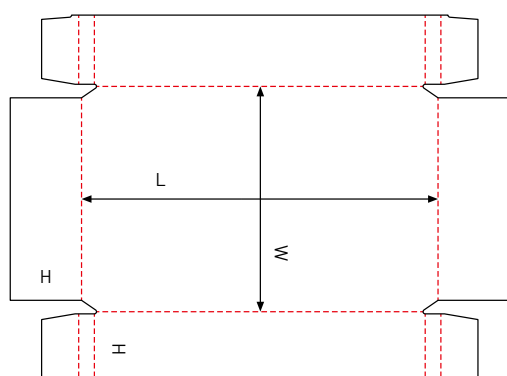


## 0459 A

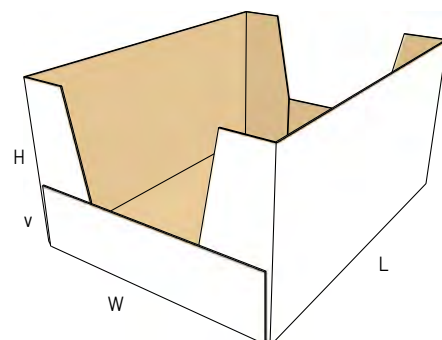
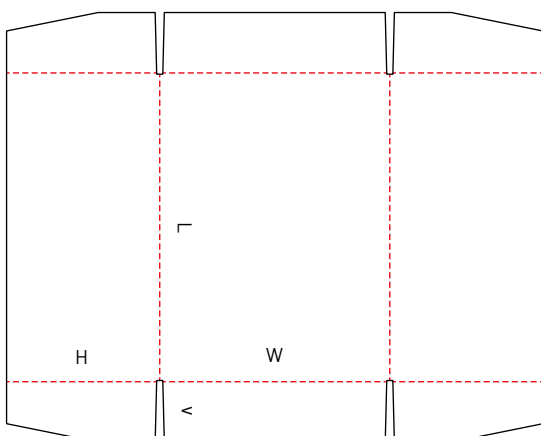


## 0459.1 A

NEW

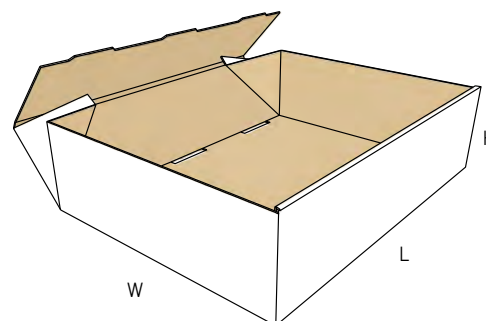
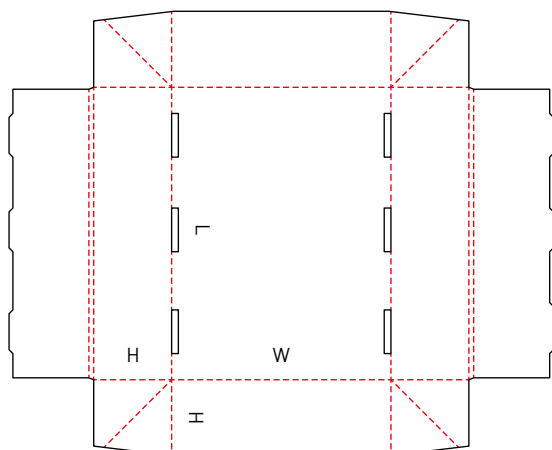


## 0460 A



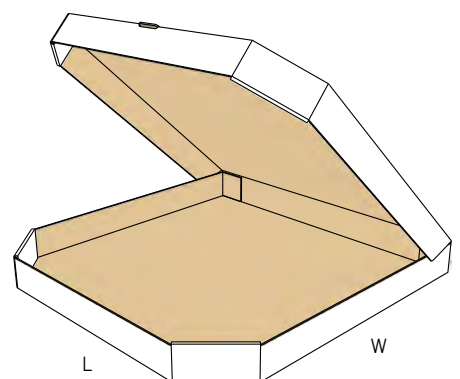
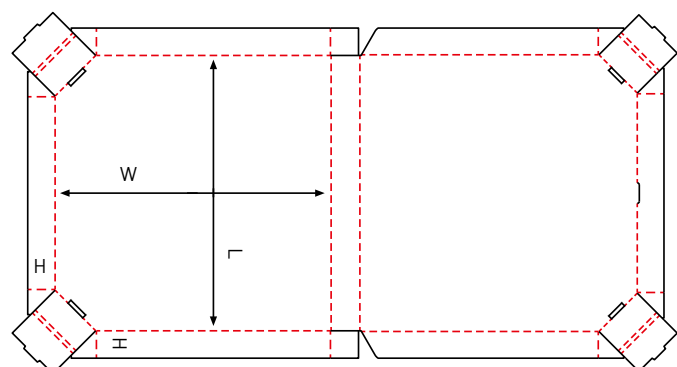
## 0461 M/A

NEW



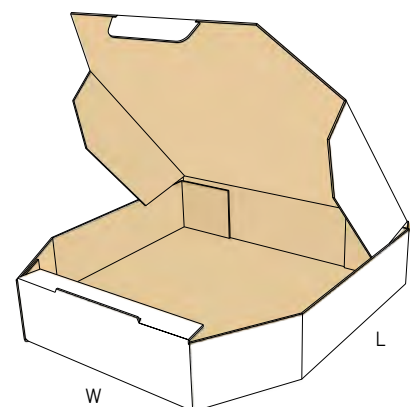
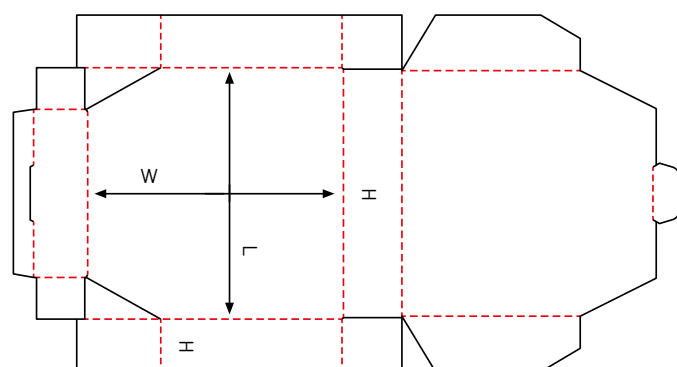
## 0462 M

NEW



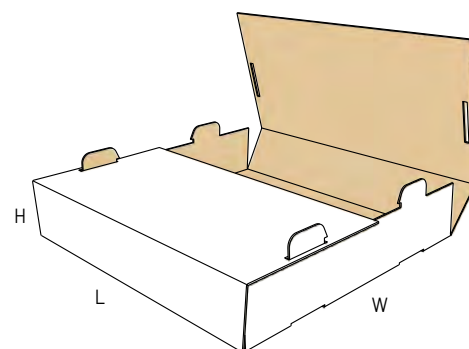
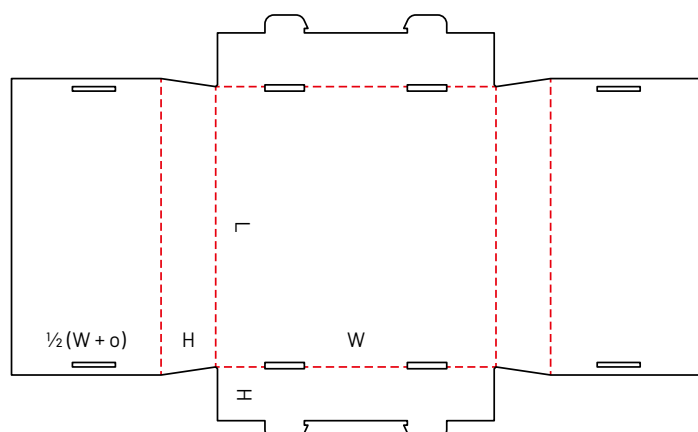
## 0463 M

NEW



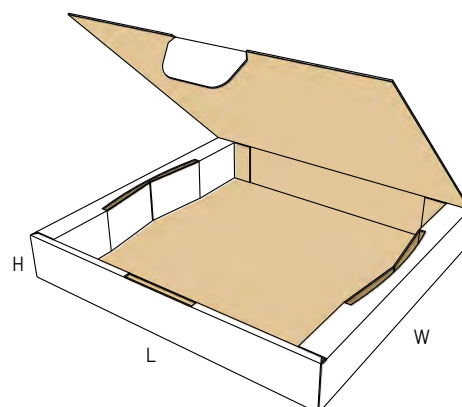
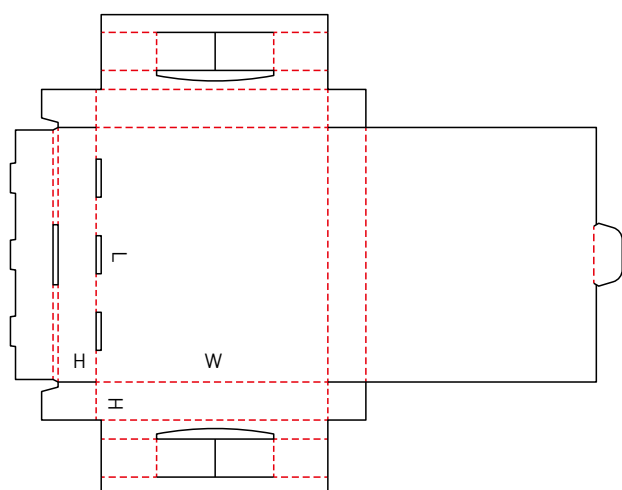
## 0464 M

NEW



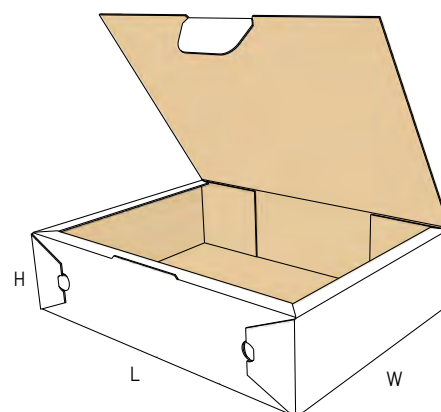
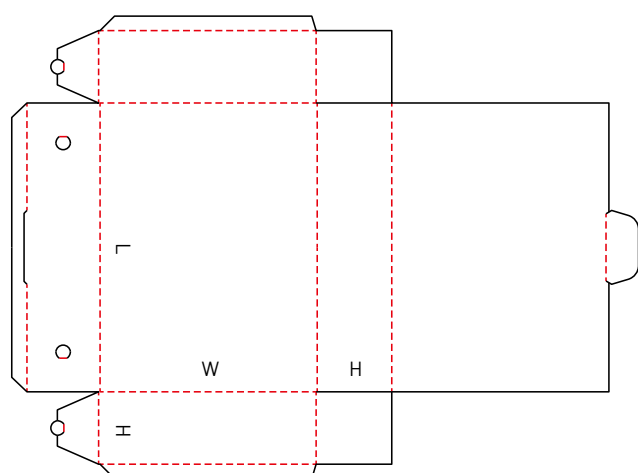
## 0465 M

NEW



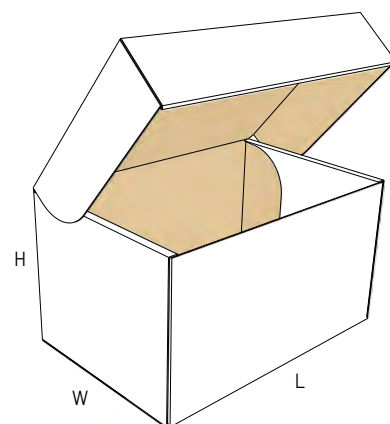
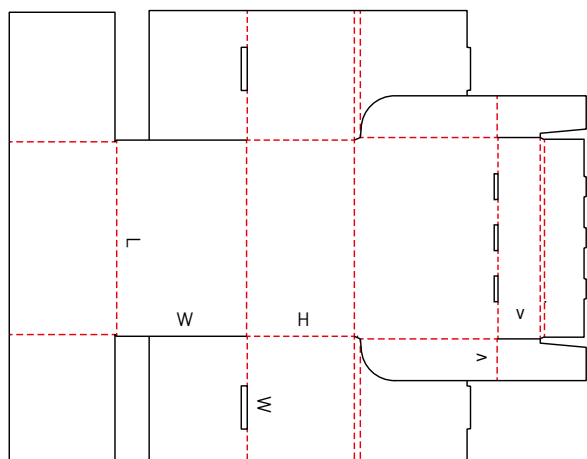
## 0466 M

NEW

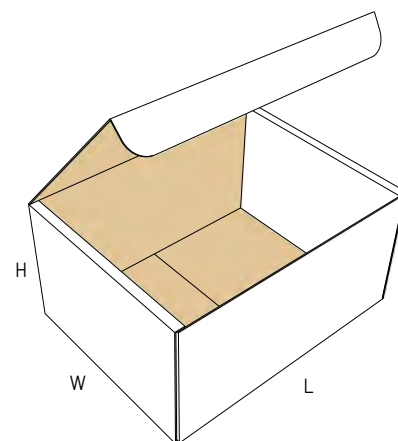
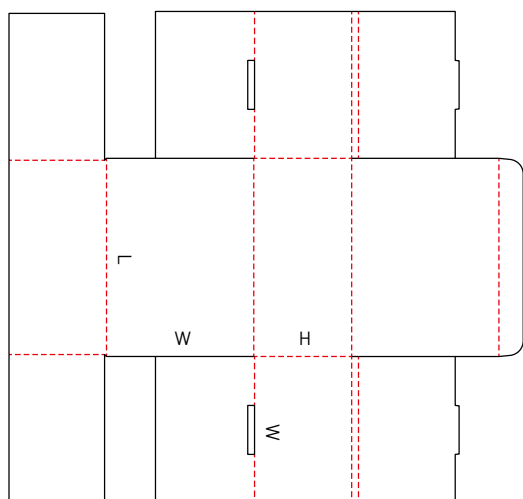


## 0469 M

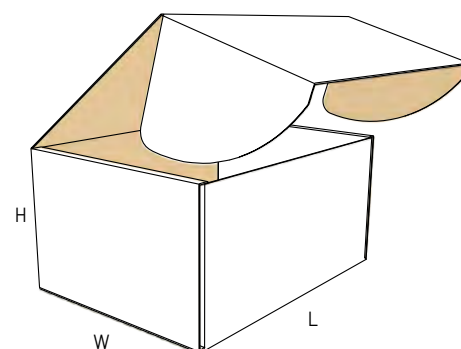
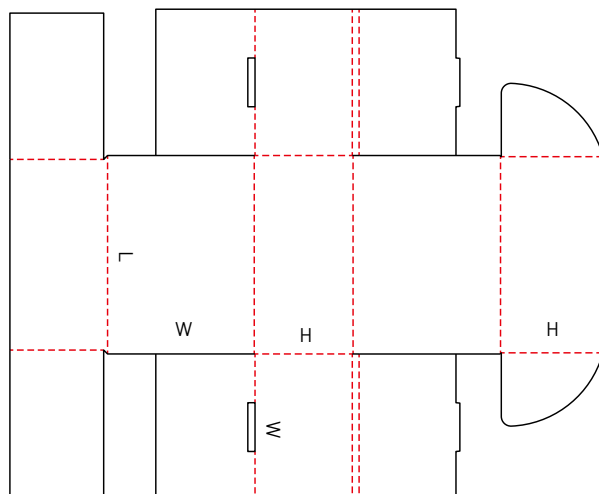
NEW



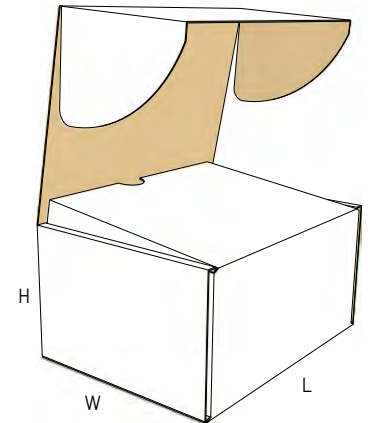
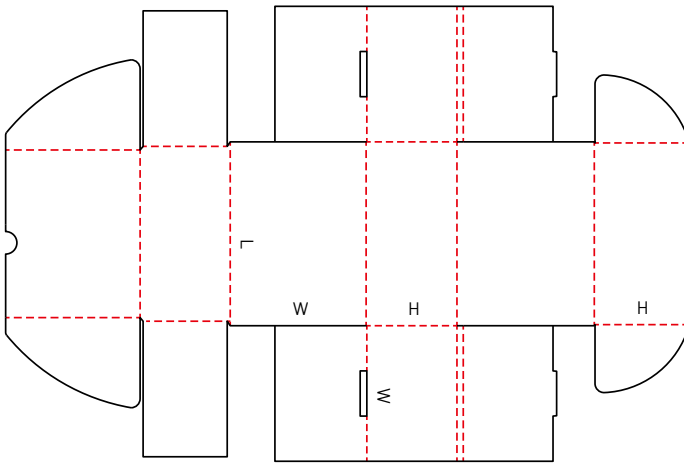
## 0470 M



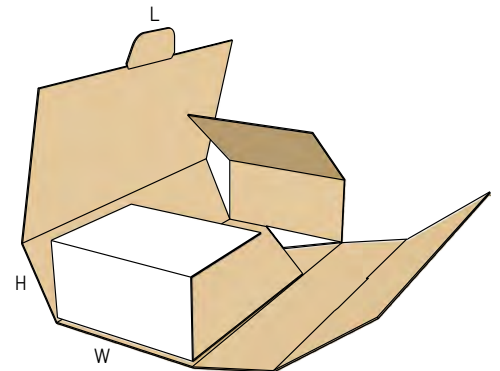
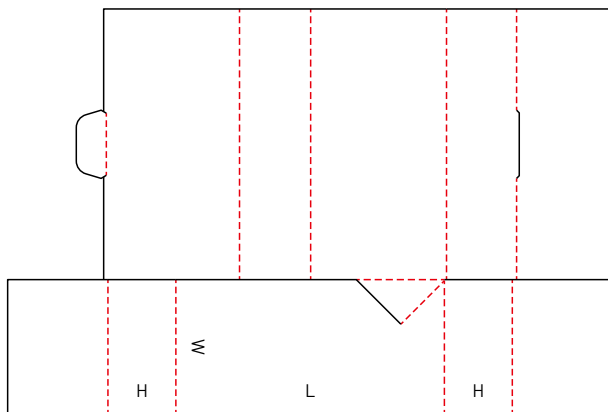
## 0471 M



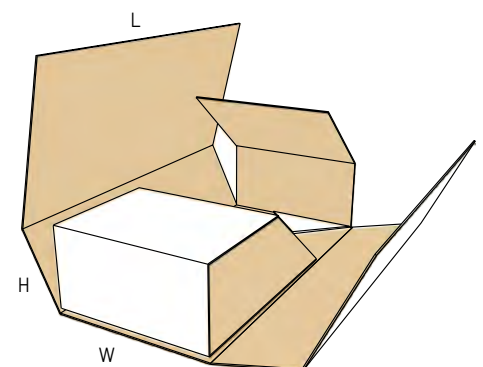
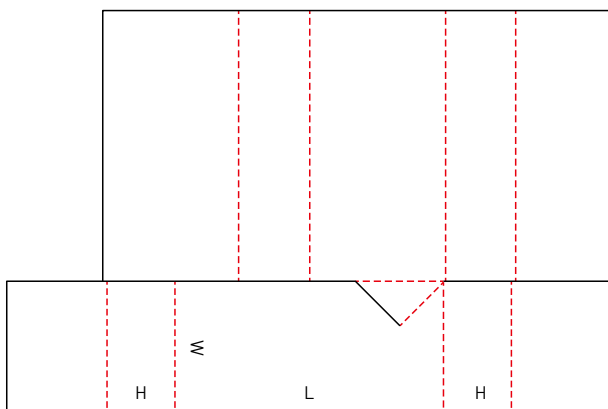
## 0472 M



## 0473 M



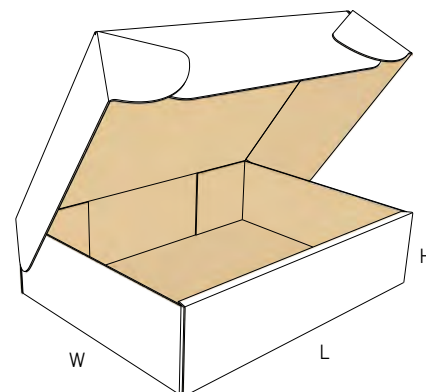
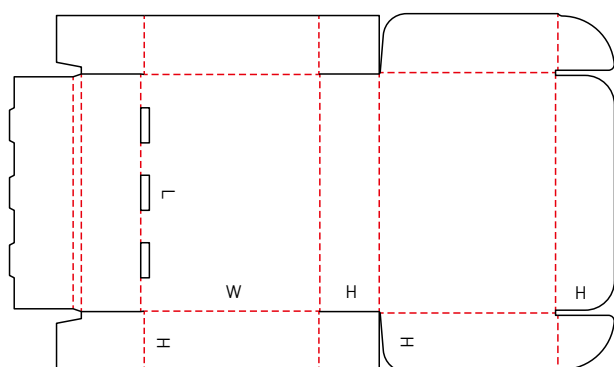
## 0474 M



NEW

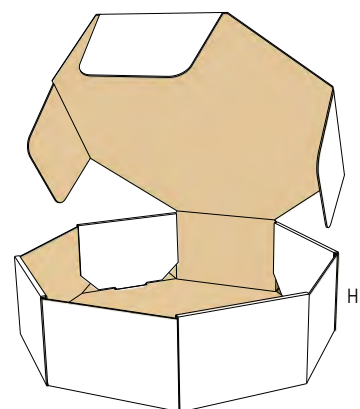
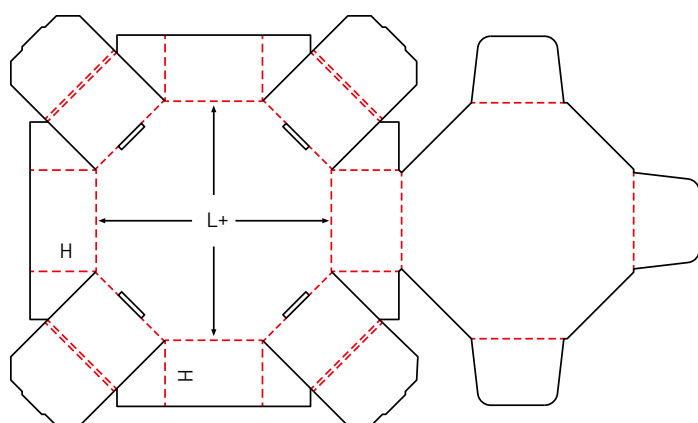
## 0475 M

NEW

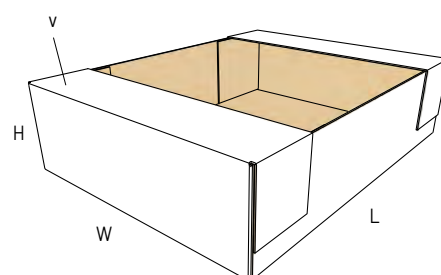
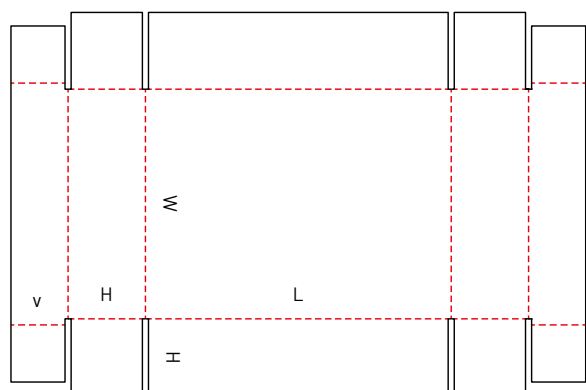


## 0476 M

NEW

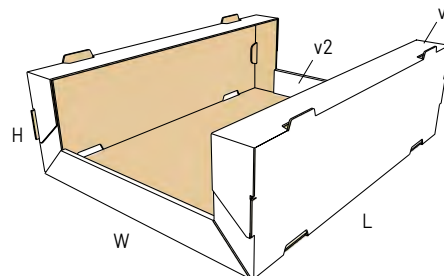
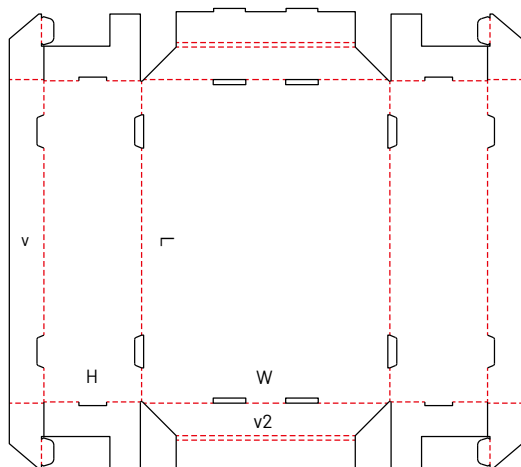


## 0480 A



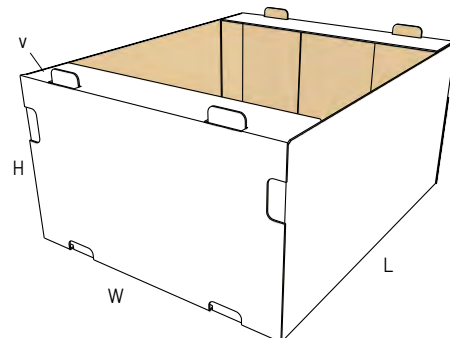
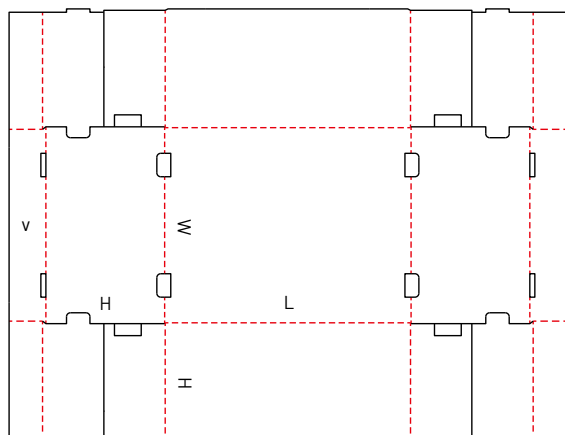
## 0481 M

NEW



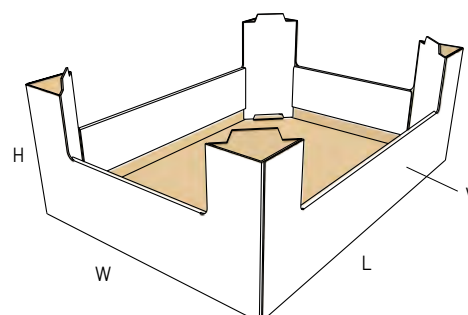
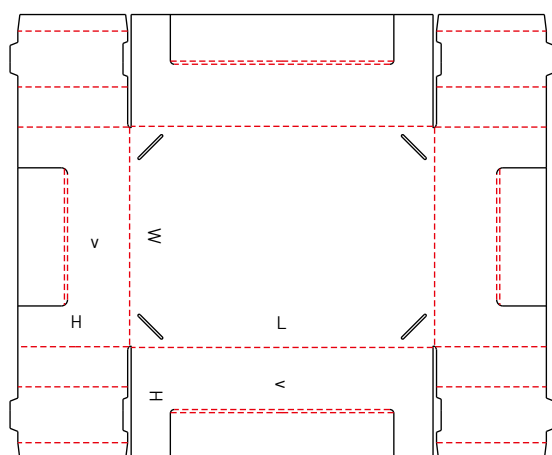
## 0482 M

NEW



## 0483 A

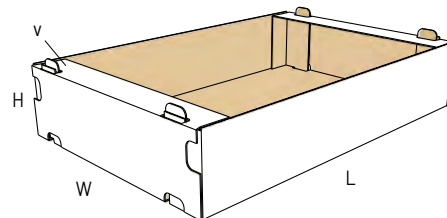
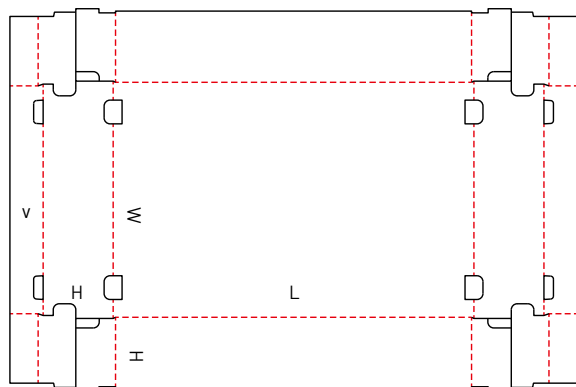
NEW





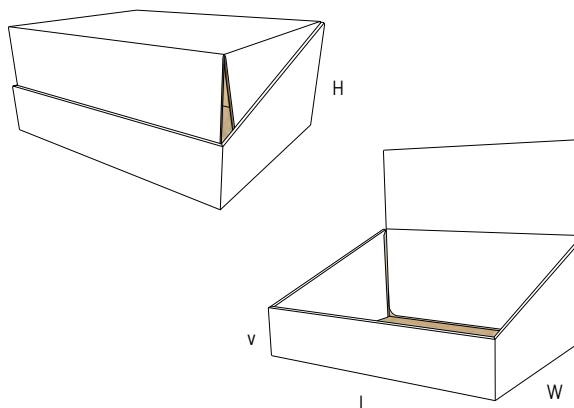
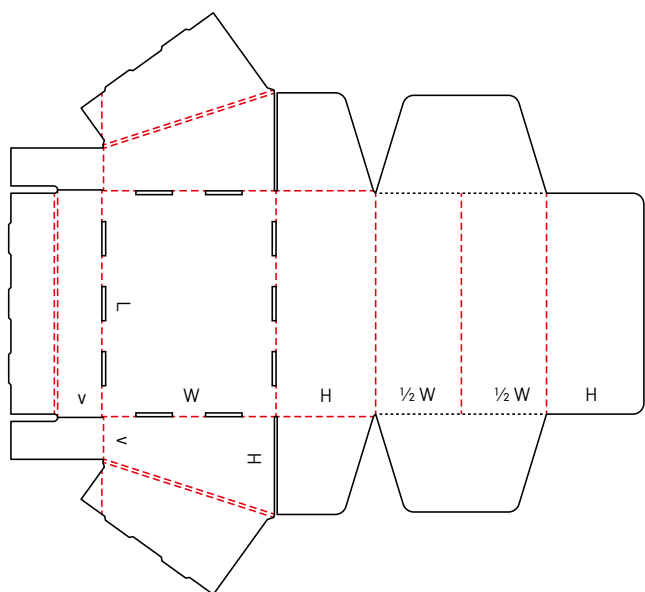
## 0484 M

NEW



## 0485 M

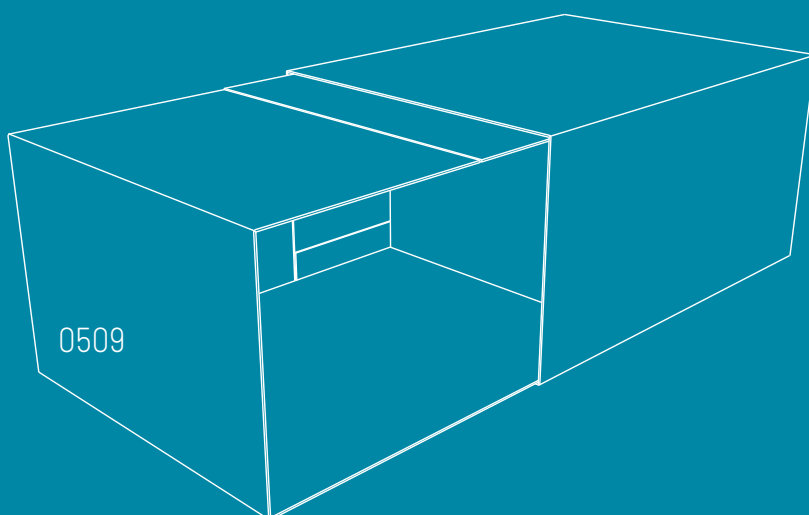
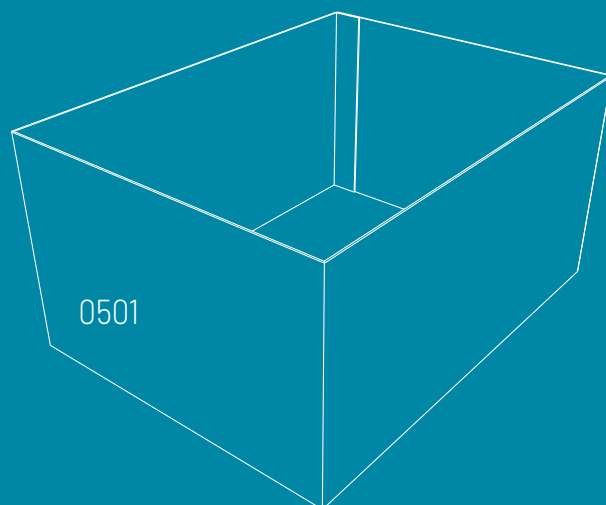
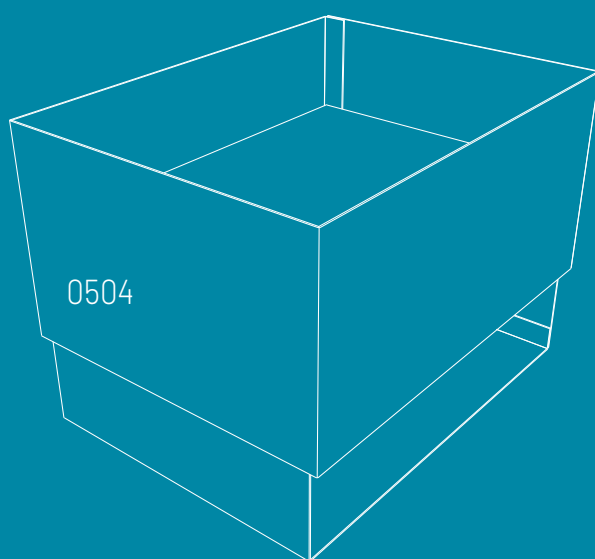
NEW



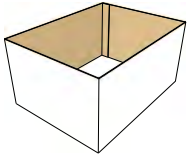
## SLIDE BOXES

Slide boxes consist of several pieces of liners and sleeves sliding in different directions into each other.

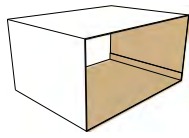
This group also includes outside sleeves for other cases.



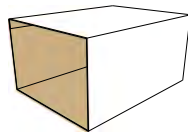
**0501 M**



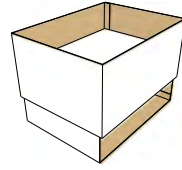
**0502 M**



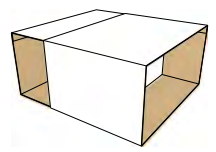
**0503 M**



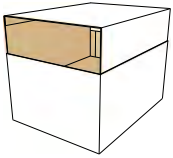
**0504 M**



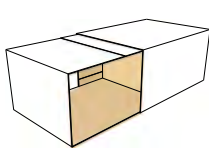
**0505 M**



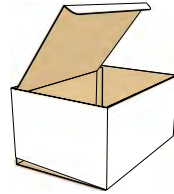
**0507 M**



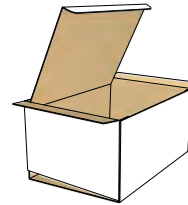
**0509 M**



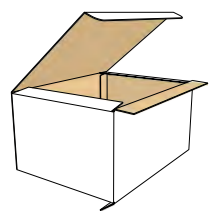
**0510 M**



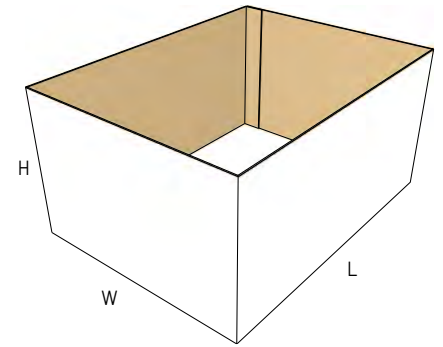
**0511 M**



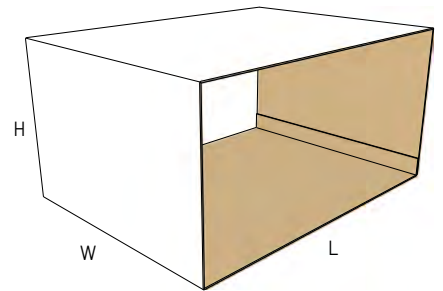
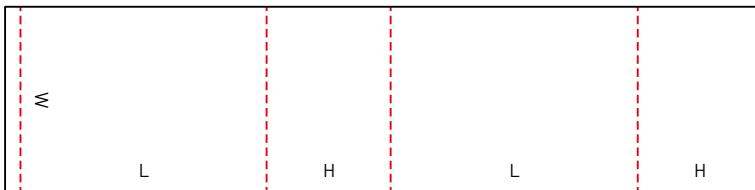
**0512 M**



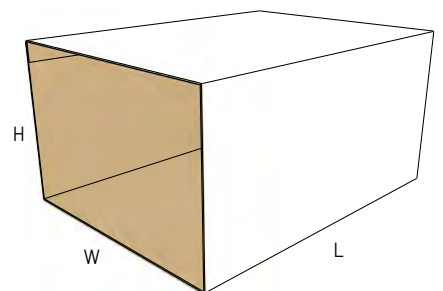
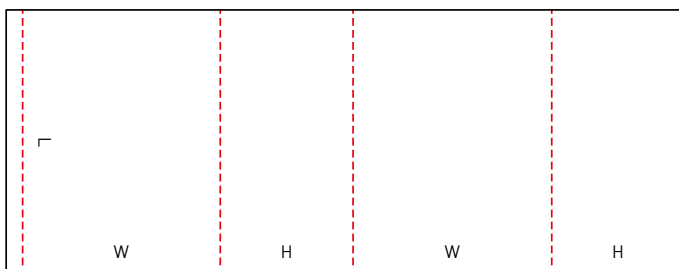
## 0501 M



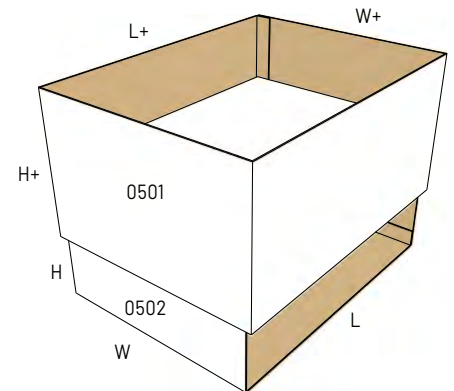
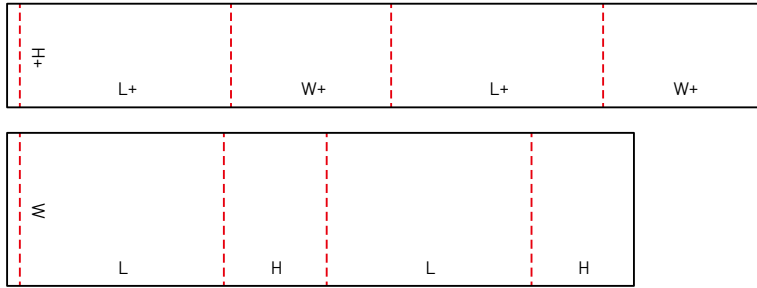
## 0502 M



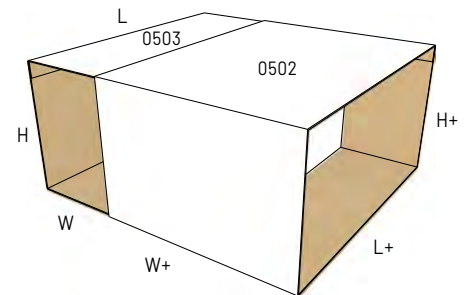
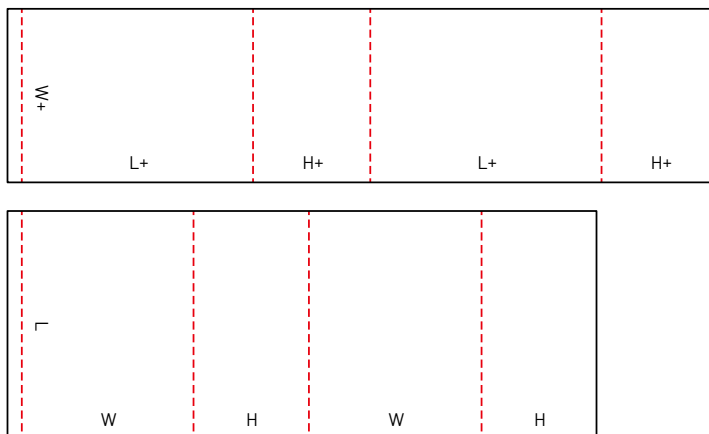
## 0503 M



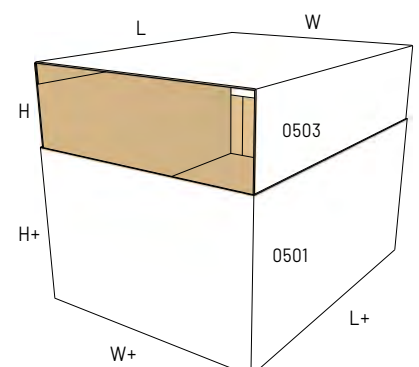
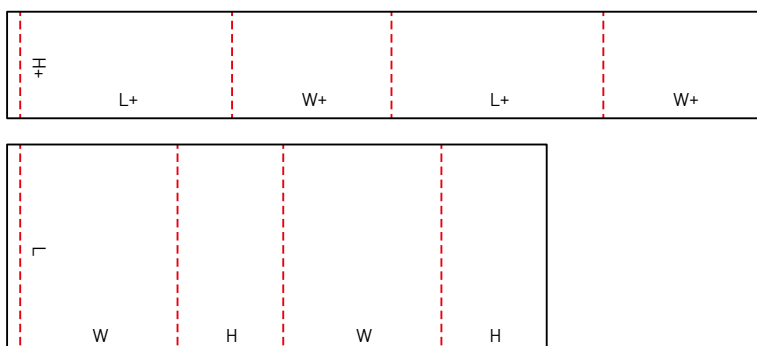
## 0504 M



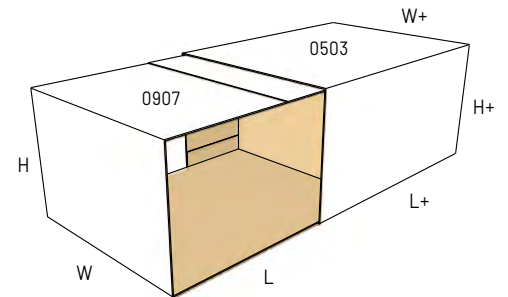
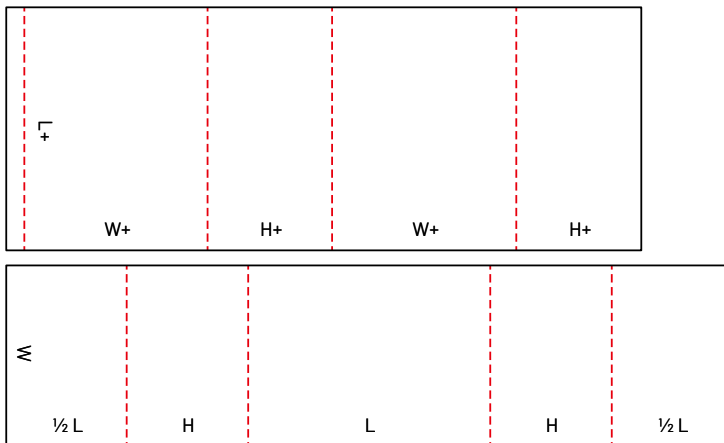
## 0505 M



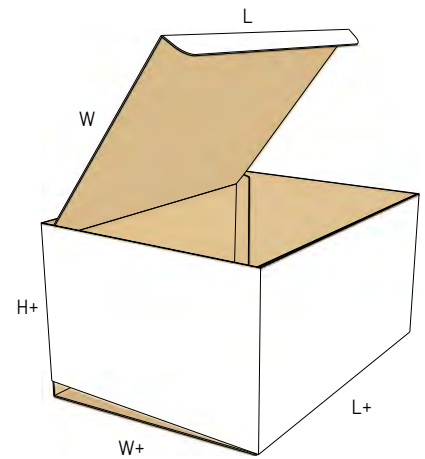
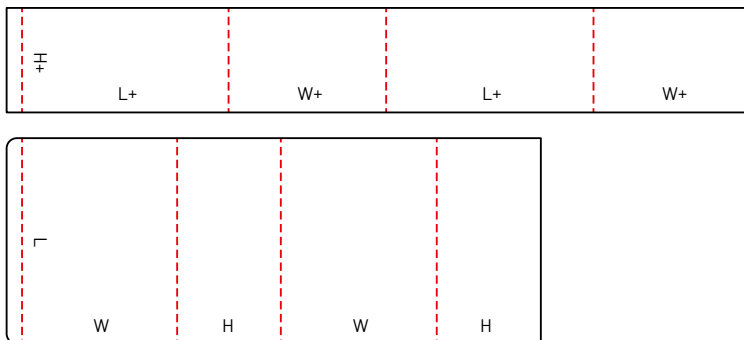
## 0507 M



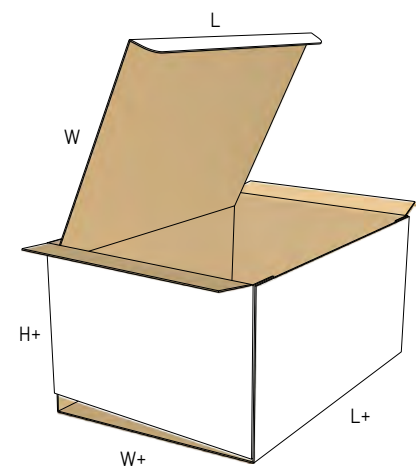
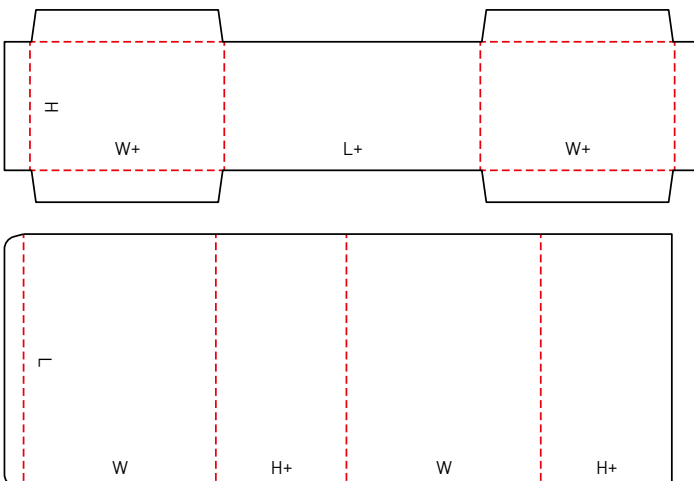
## 0509 M



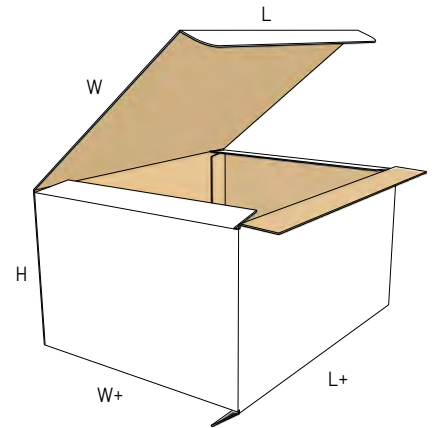
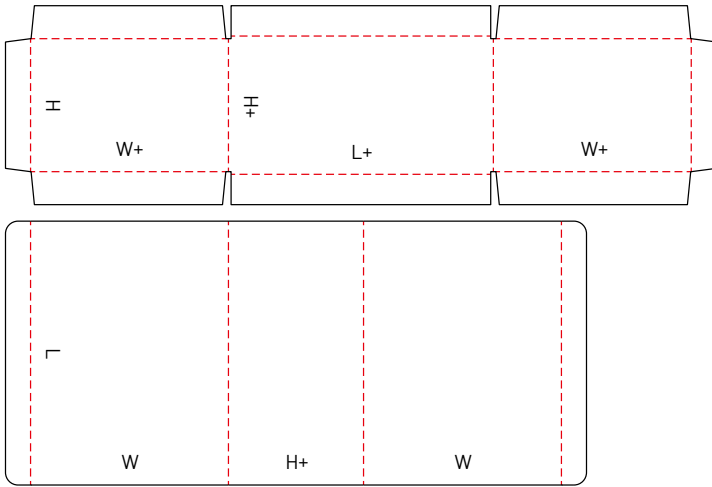
## 0510 M



## 0511 M

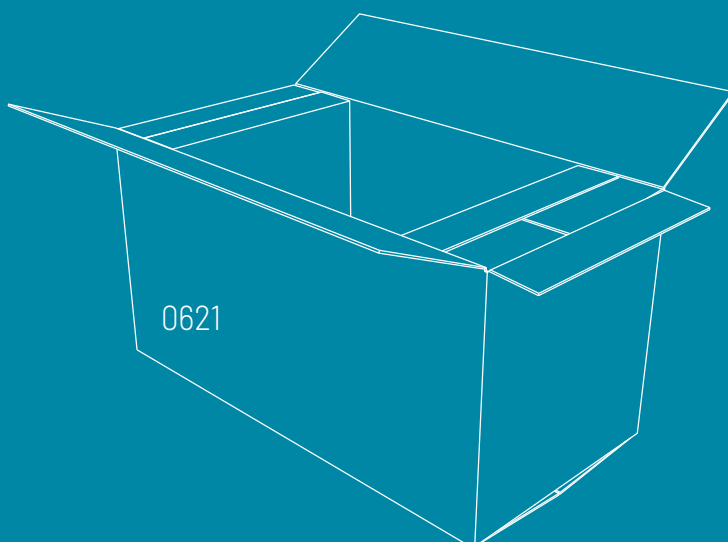
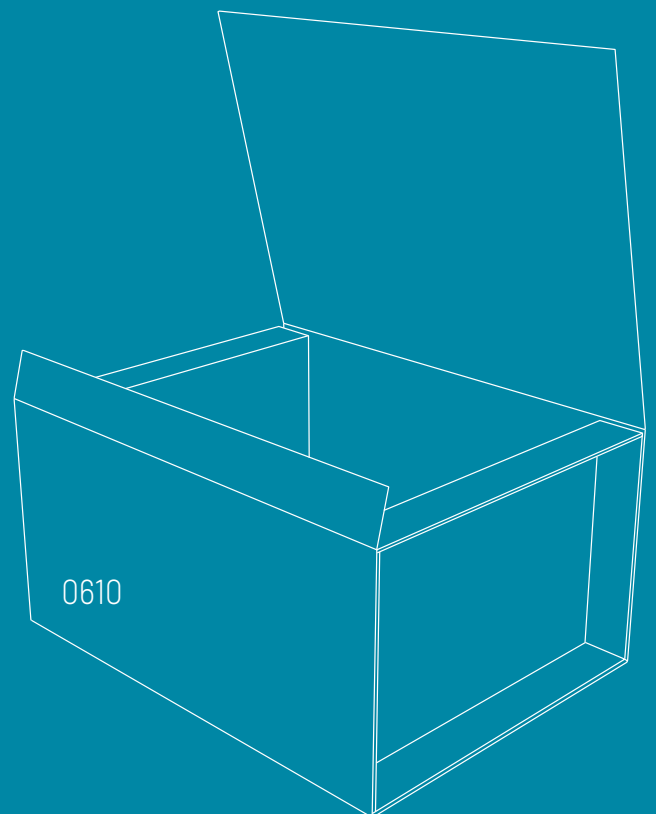
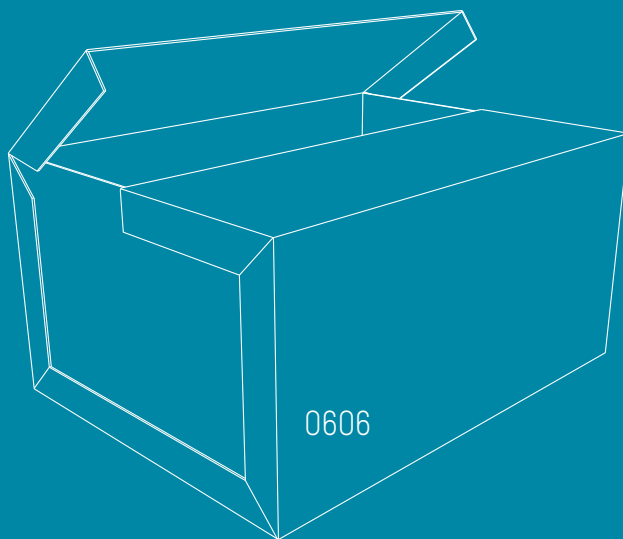


## 0512 M



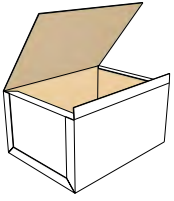
## RIGID BOXES

Rigid boxes consist of two separate end pieces and a body that require stitching or a similar operation before they can be used.

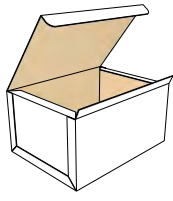




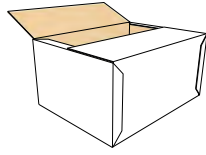
**0601** A



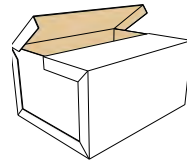
**0602** A



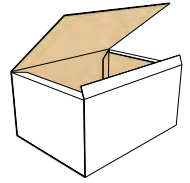
**0605** A



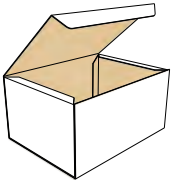
**0606** A



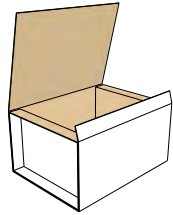
**0607** A



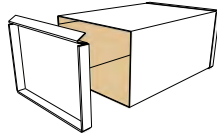
**0608** A



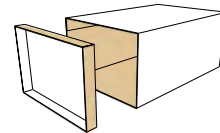
**0610** M/A



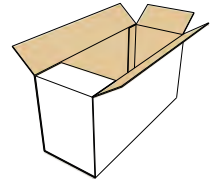
**0615** M/A



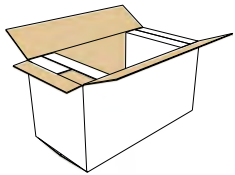
**0616** M/A



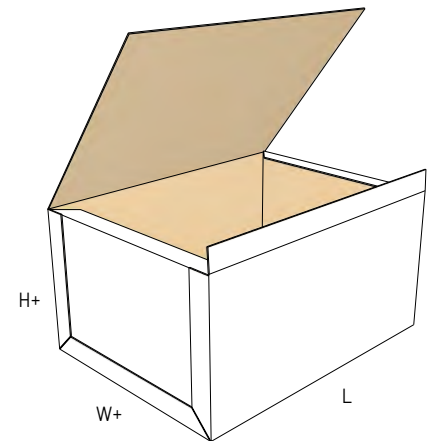
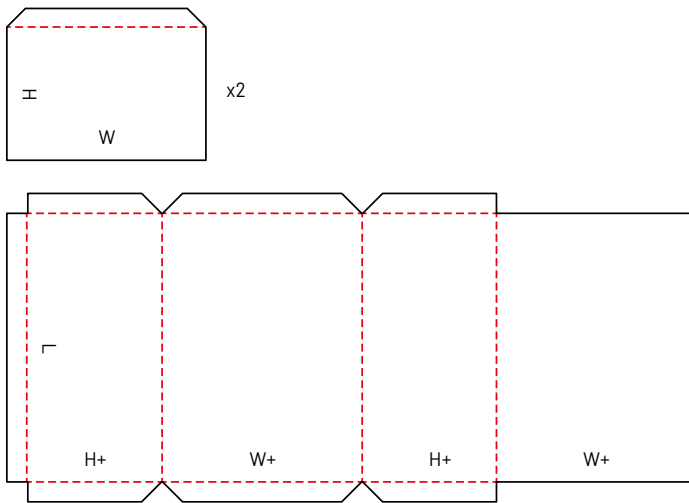
**0620** A



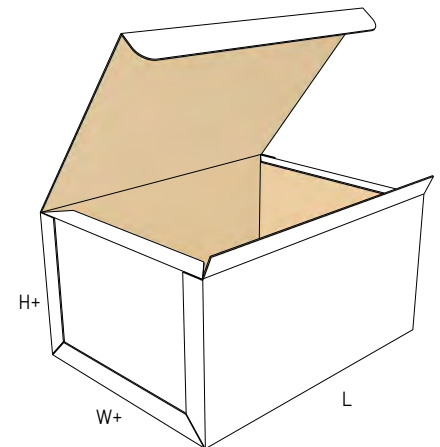
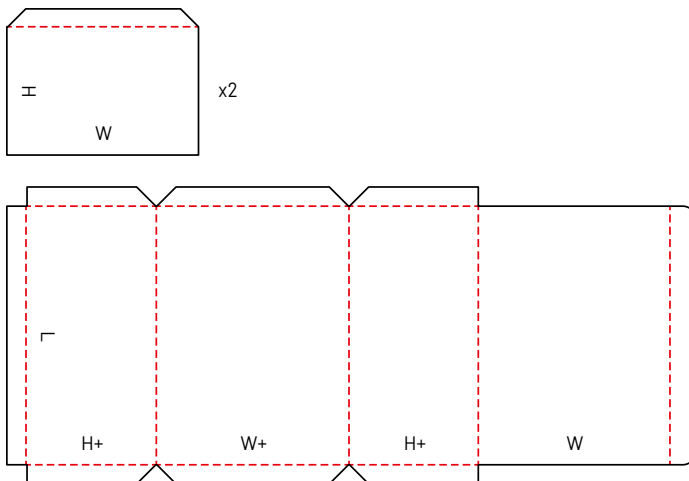
**0621** M



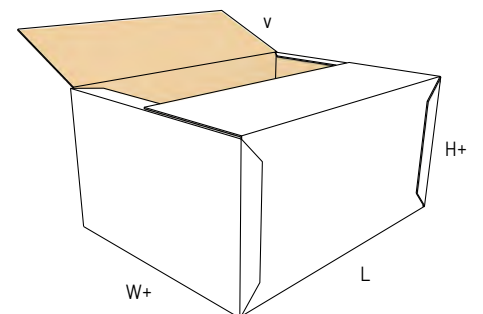
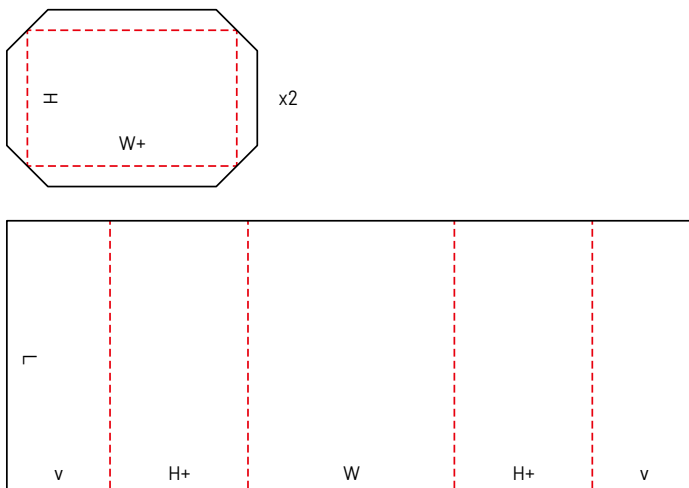
## 0601 A



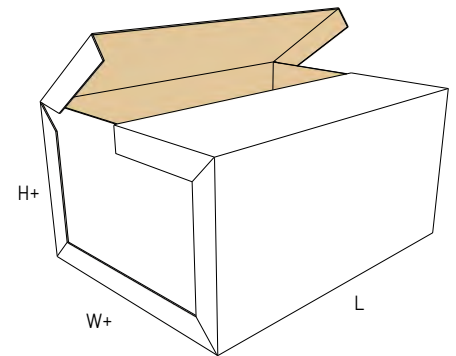
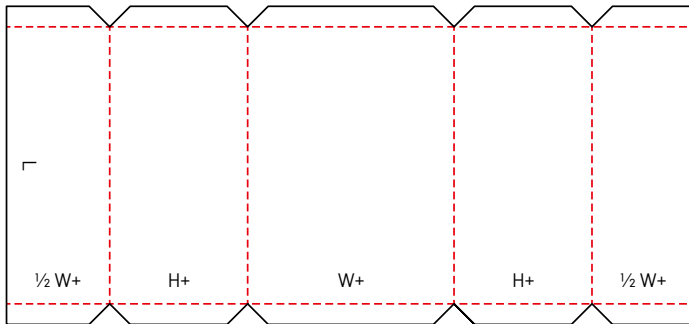
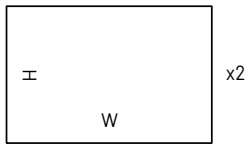
## 0602 A



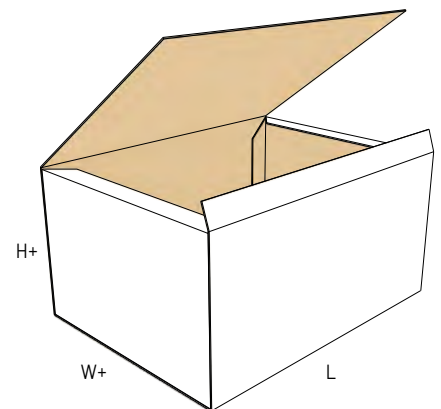
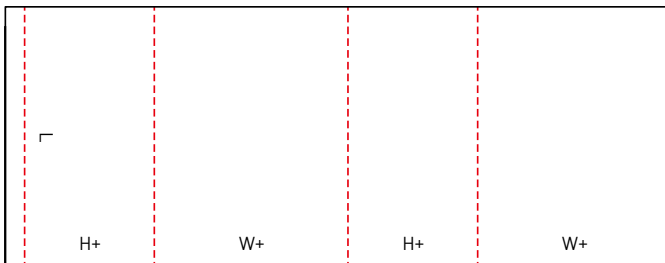
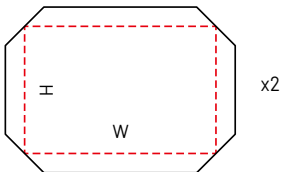
## 0605 A



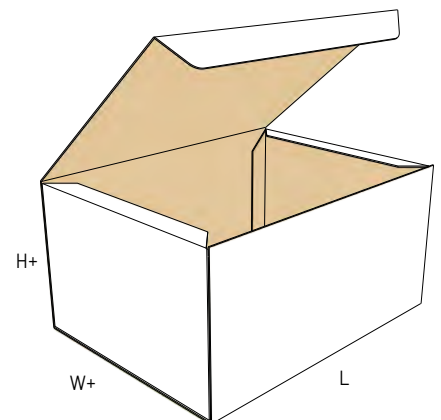
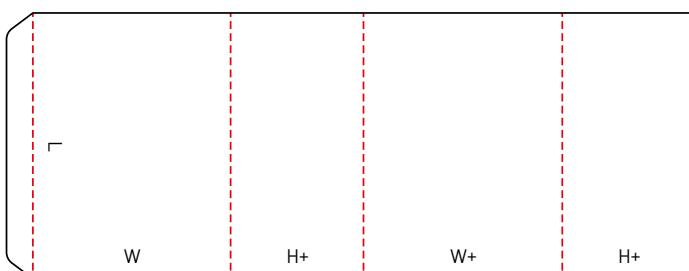
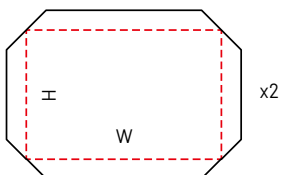
## 0606 A



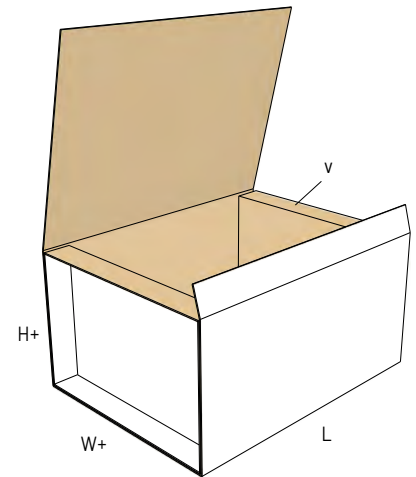
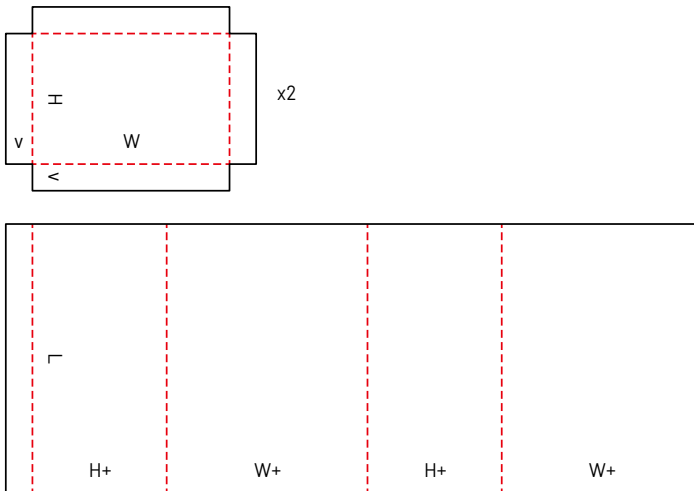
## 0607 A



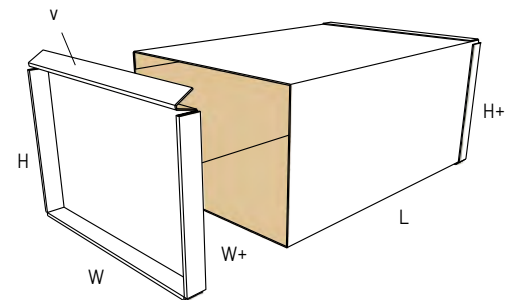
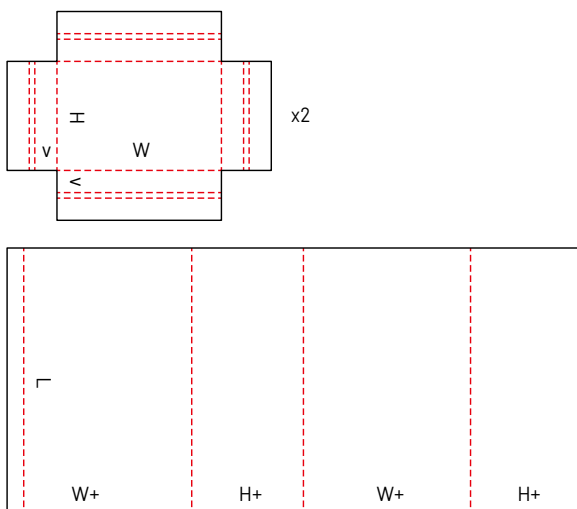
## 0608 A



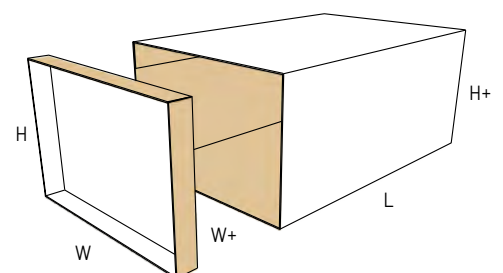
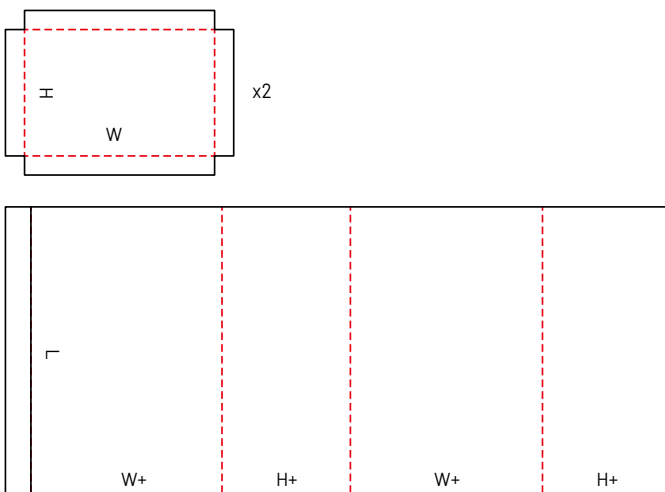
## 0610 M/A



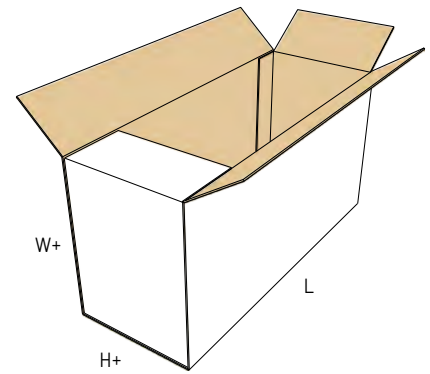
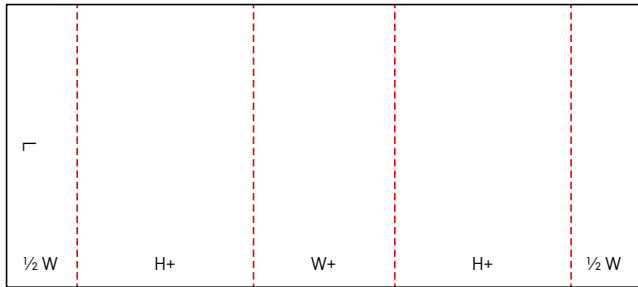
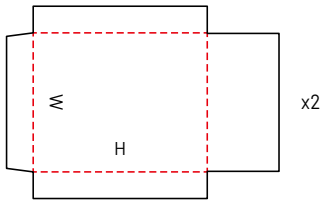
## 0615 M/A



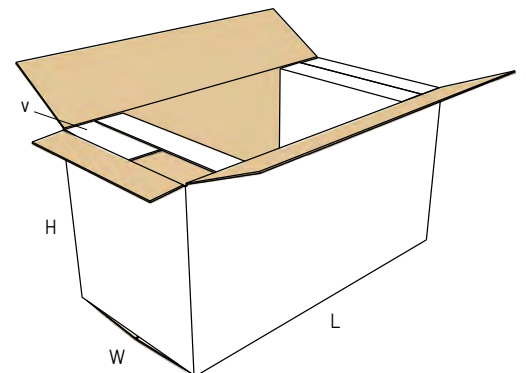
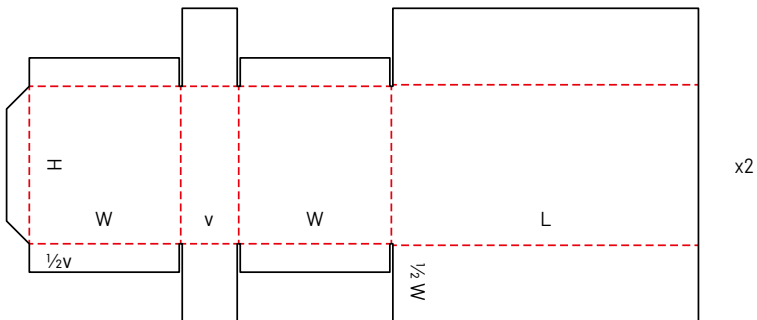
## 0616 M/A



## 0620 A

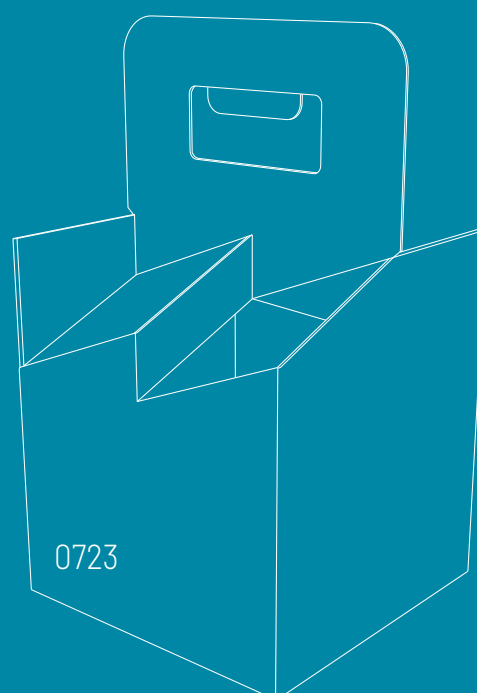
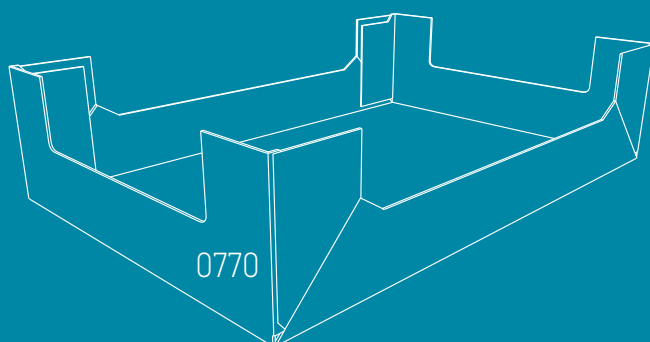
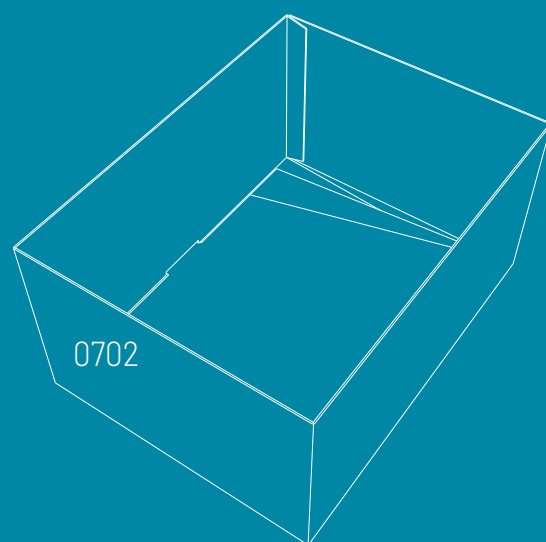
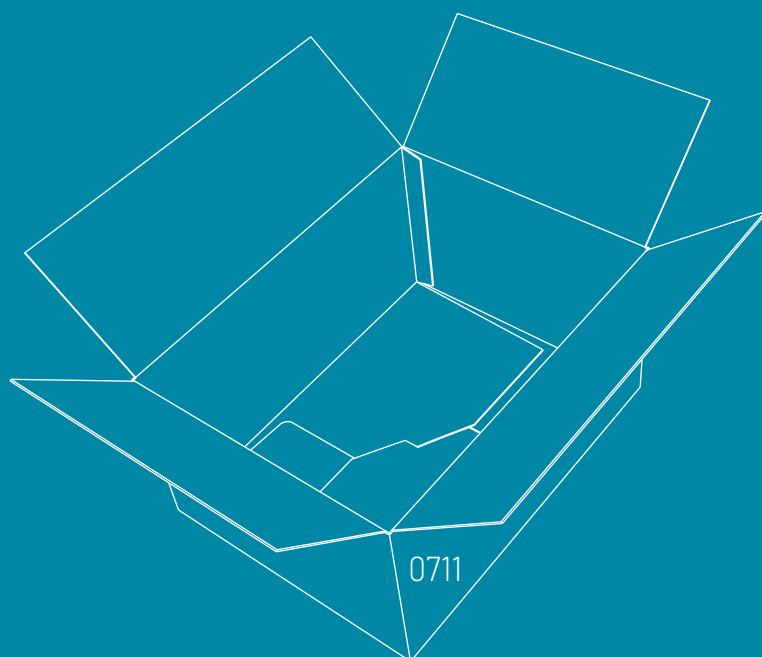


## 0621 M

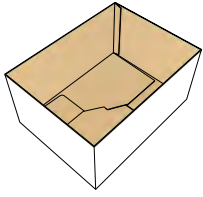


## READY-GLUED CASES

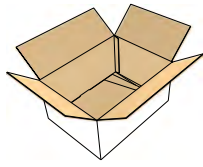
Ready-glued cases consist of basically one piece, are shipped flat and ready to use by simple assembly.



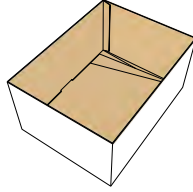
0700 M



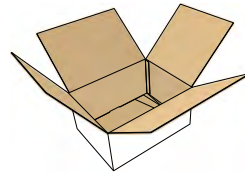
0701 M



0702 M  
NEW



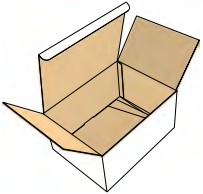
0703 M



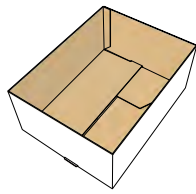
0704 M  
NEW



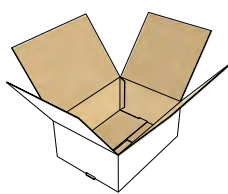
0705 M  
NEW



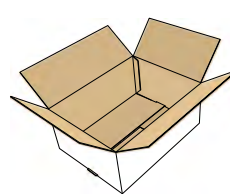
0706 M  
NEW



0707 M  
NEW



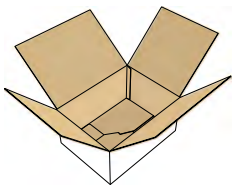
0708 M  
NEW



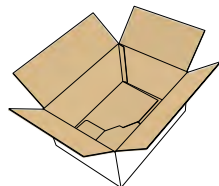
0709 M  
NEW



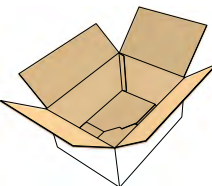
0710 M  
NEW



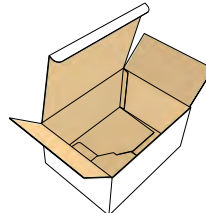
0711 M



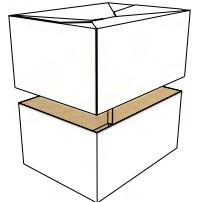
0712 M



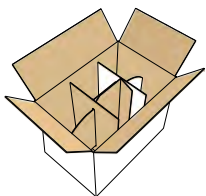
0713 M



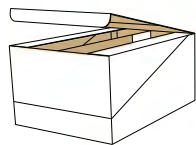
0714 M



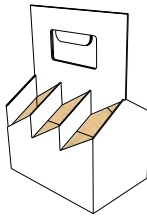
0715 M



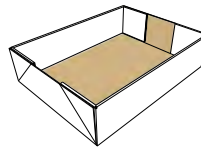
0716 M



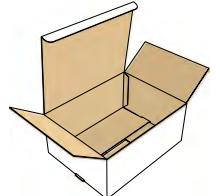
0717 M



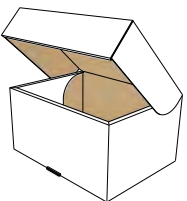
0718 M



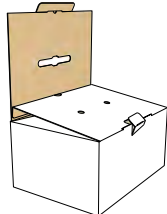
0719 M  
NEW



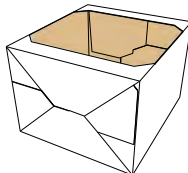
0720 M  
NEW



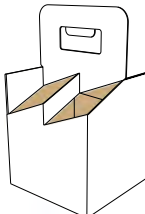
0721 M  
NEW



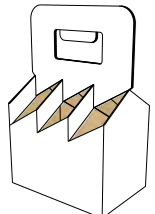
0722 M  
NEW



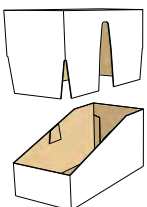
0723 M  
NEW



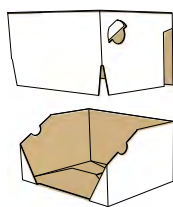
0724 M  
NEW



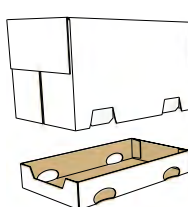
0725 M  
NEW



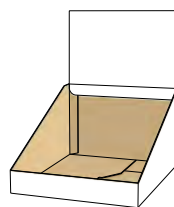
0726 M  
NEW



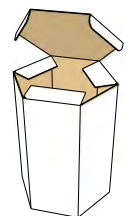
0727 A  
NEW



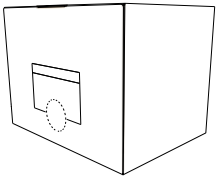
0728 M  
NEW



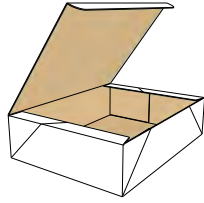
0730 M  
NEW



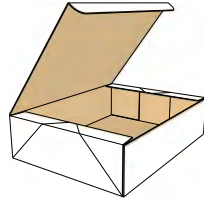
**0740 M**  
NEW



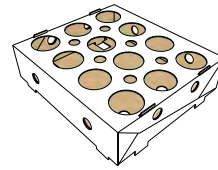
**0747 M**



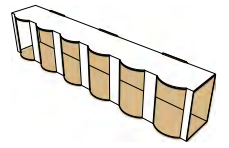
**0748 M**



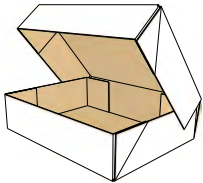
**0751 M**



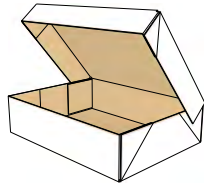
**0752 M**



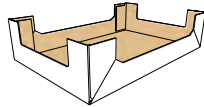
**759 M**



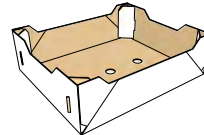
**0761 M**



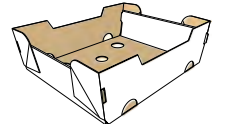
**0770 M**



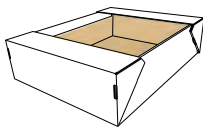
**0771 M**



**0772 M**



**0773 M**

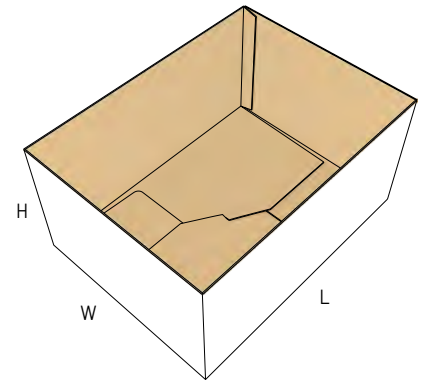
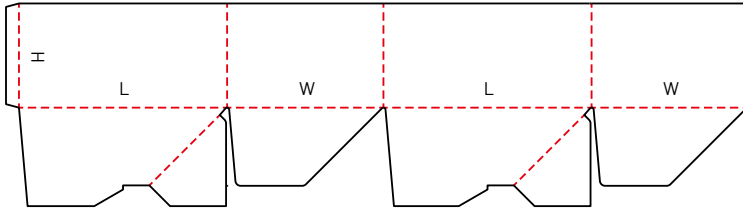


**0774 M**

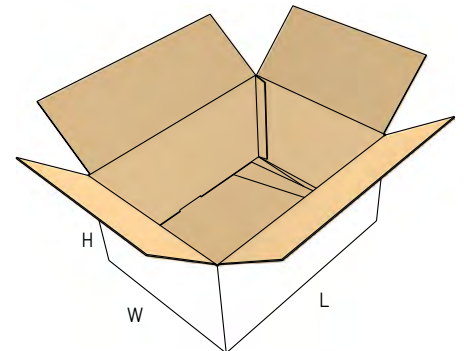
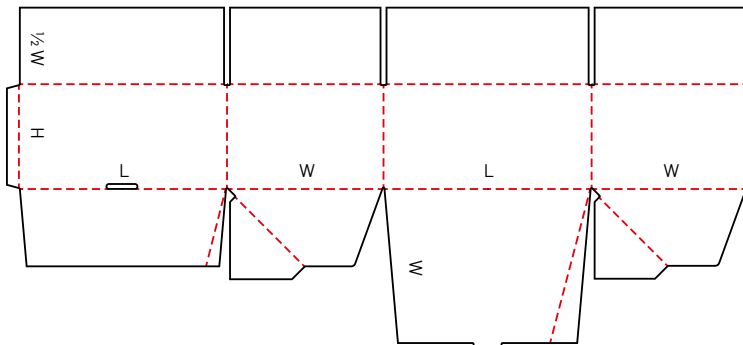




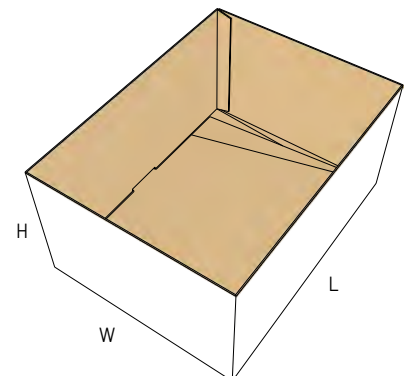
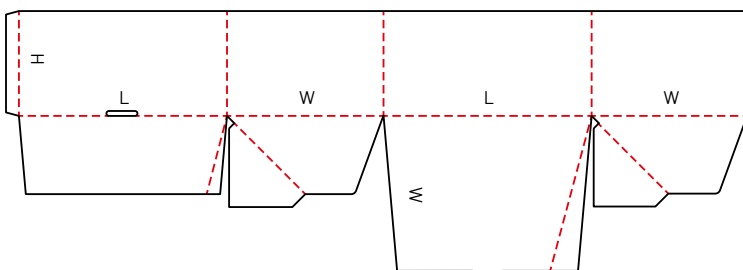
## 0700 M



## 0701 M

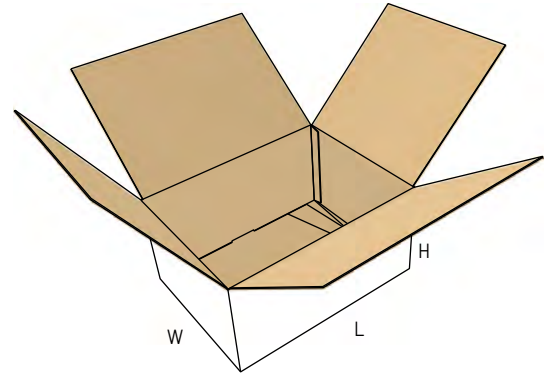
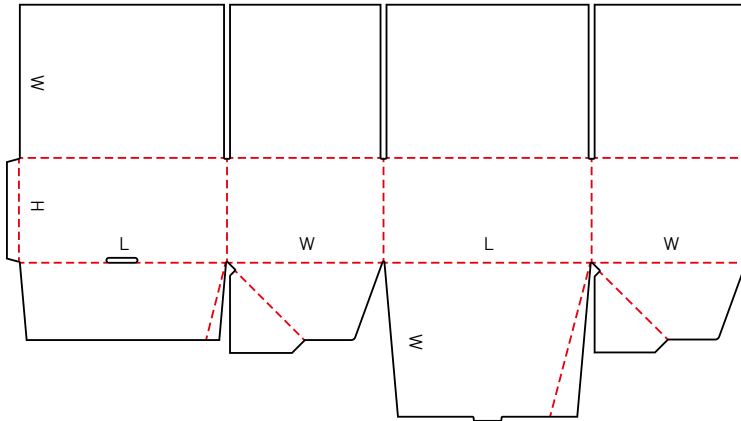


## 0702 M



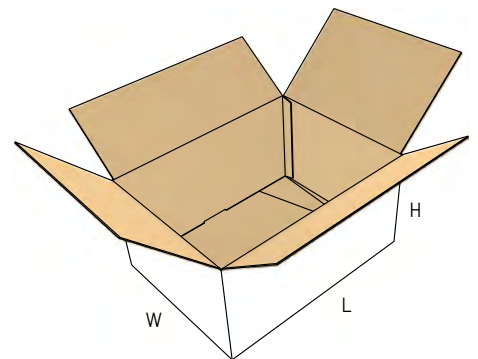
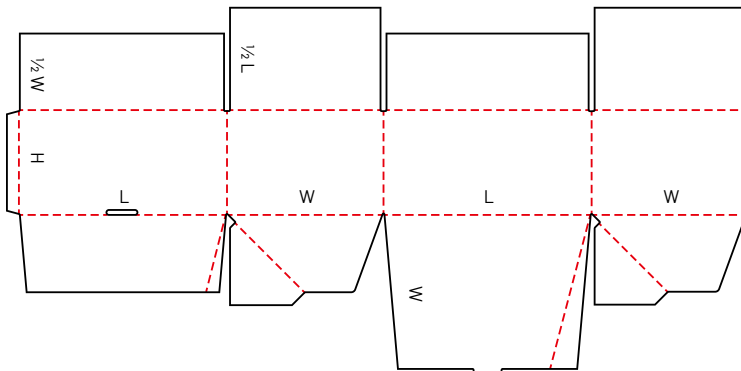
NEW

## 0703 M



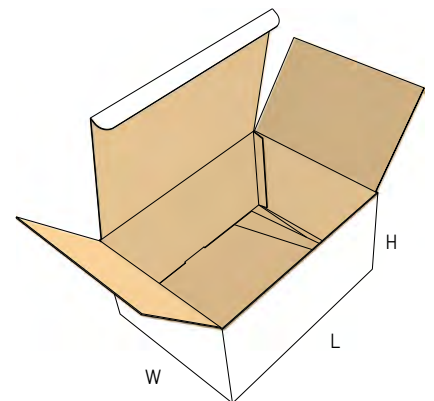
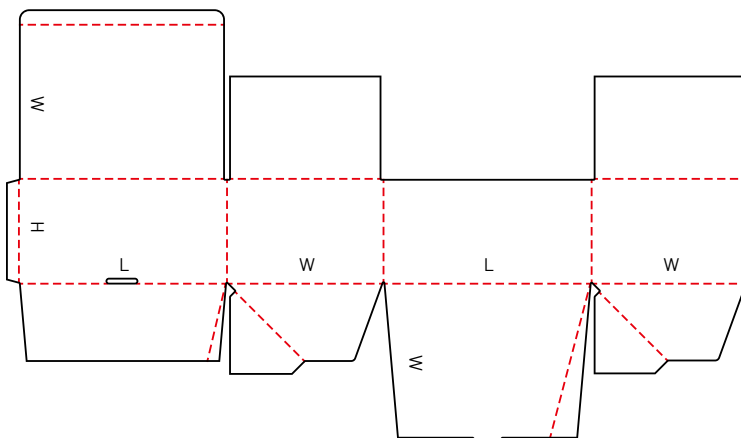
## 0704 M

NEW



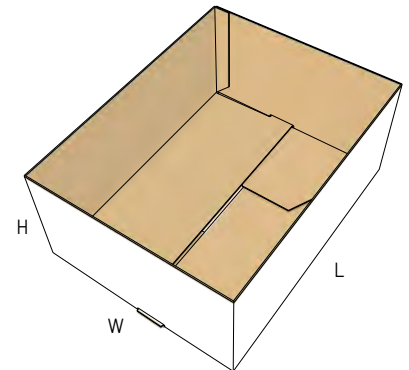
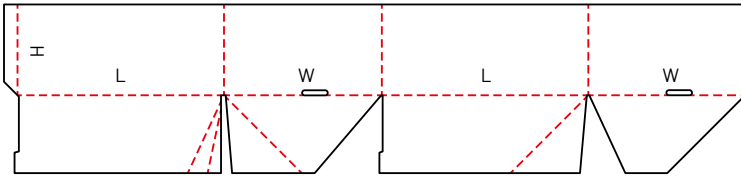
## 0705 M

NEW



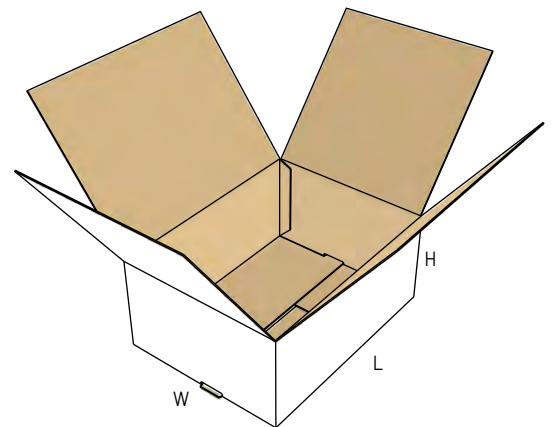
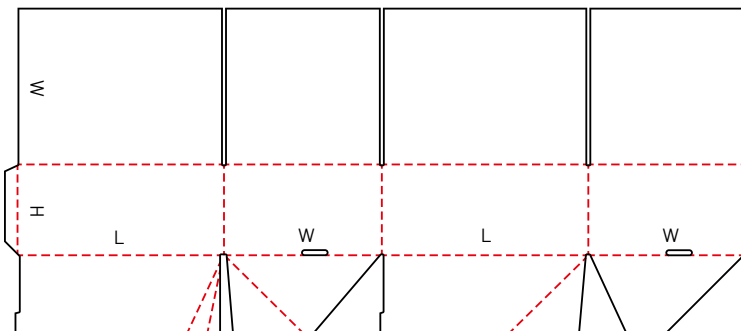
## 0706 M

NEW



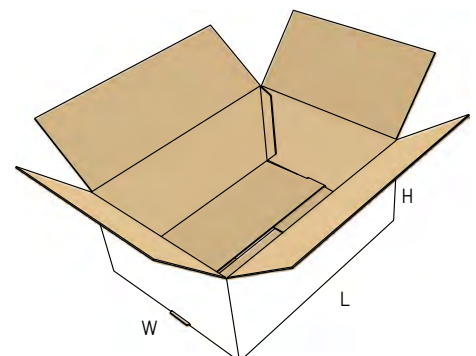
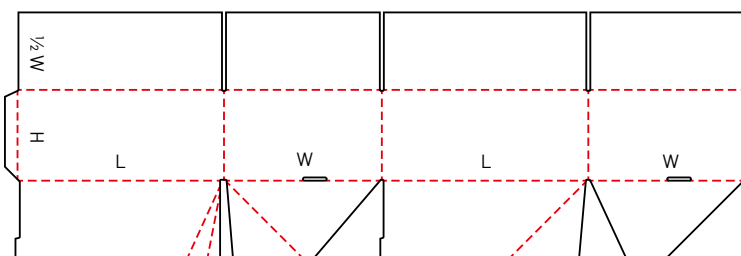
## 0707 M

NEW



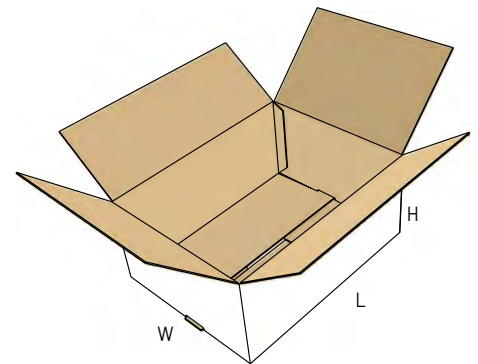
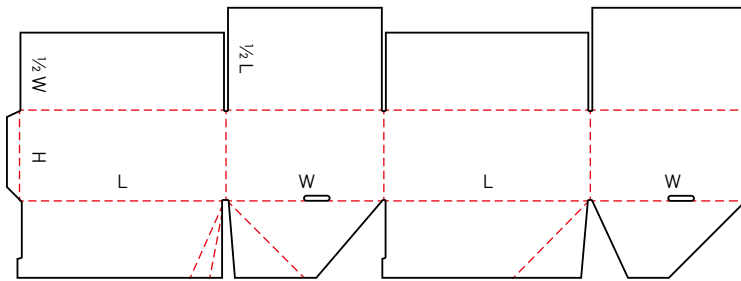
## 0708 M

NEW



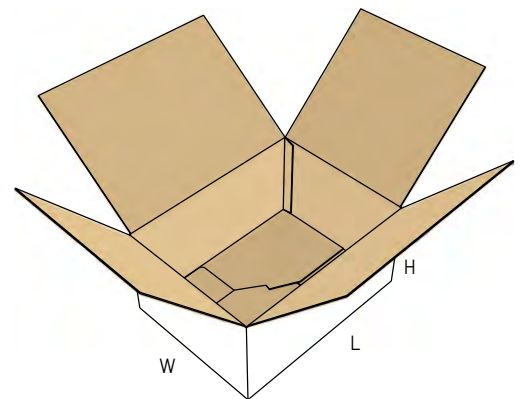
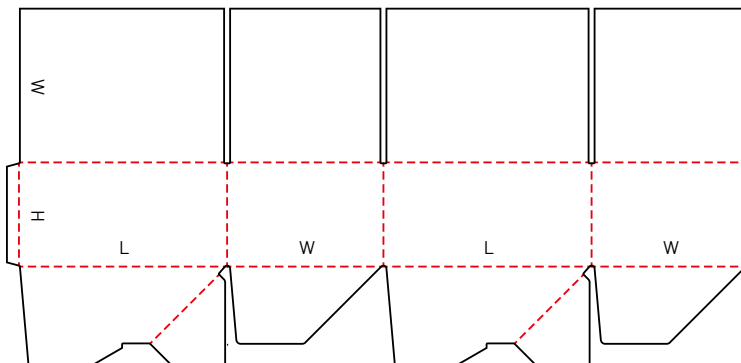
## 0709 M

NEW

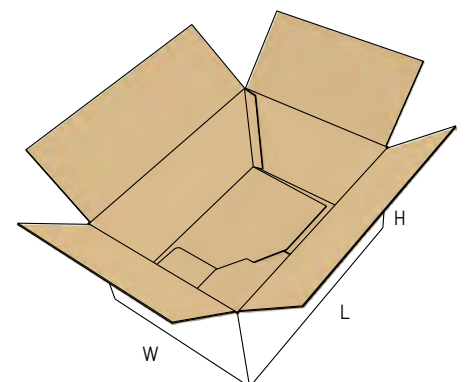
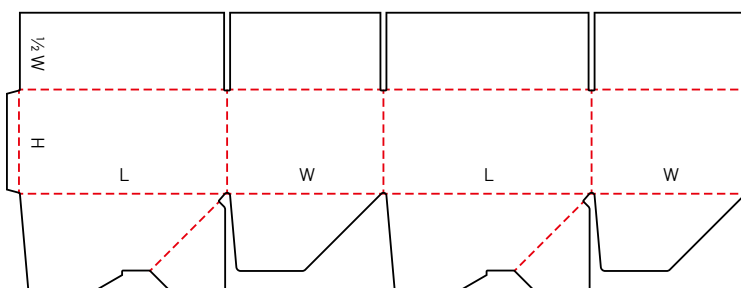


## 0710 M

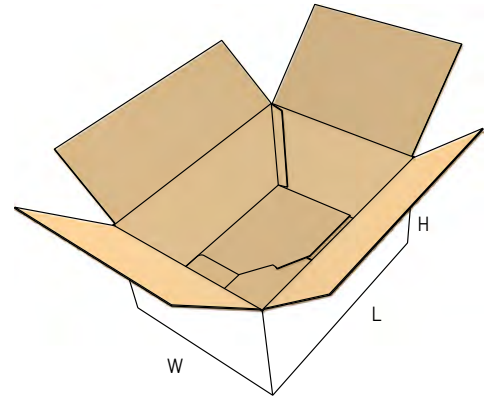
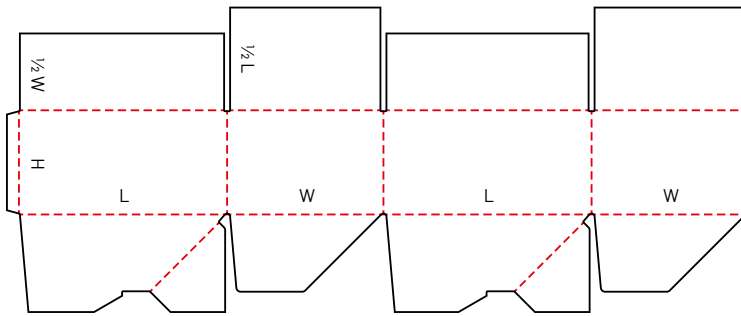
NEW



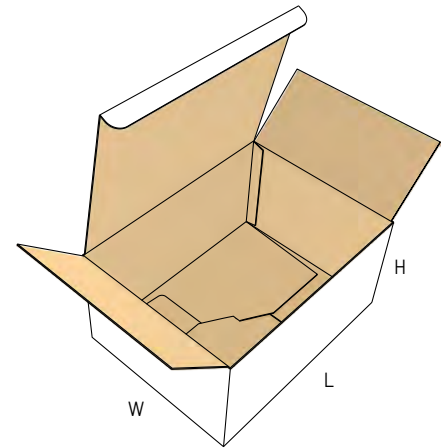
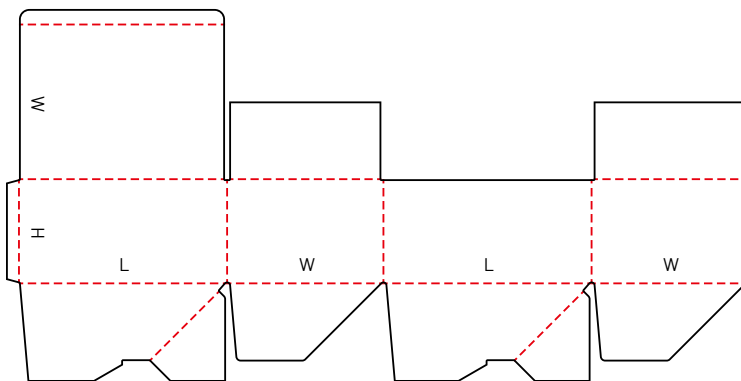
## 0711 M



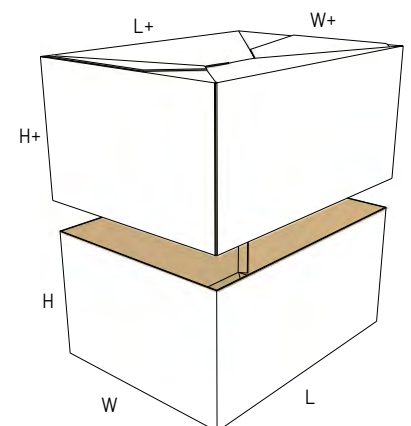
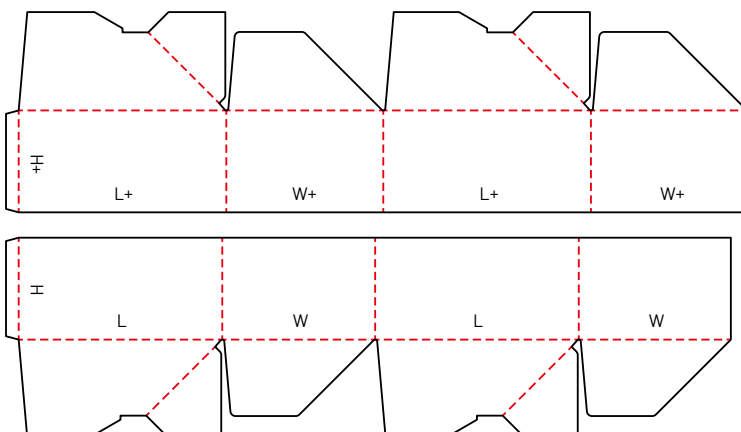
## 0712 M



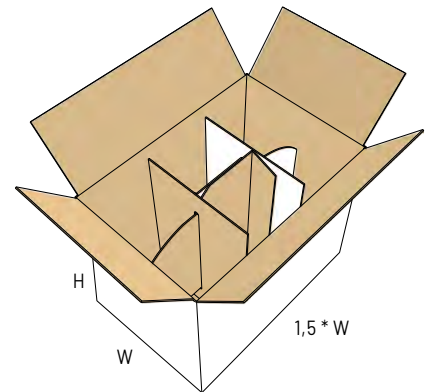
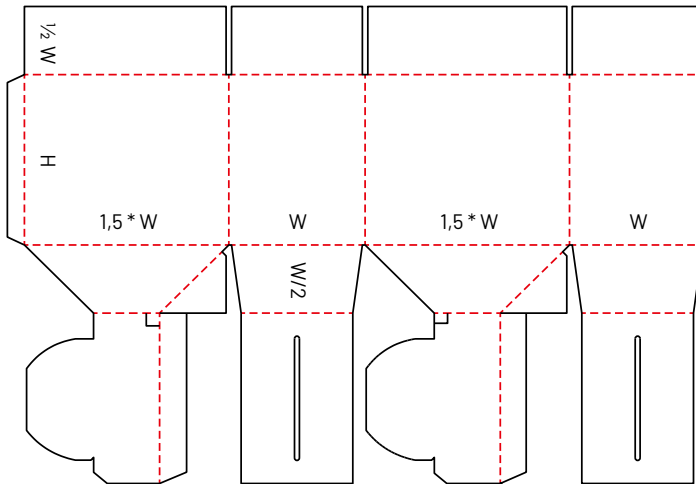
## 0713 M



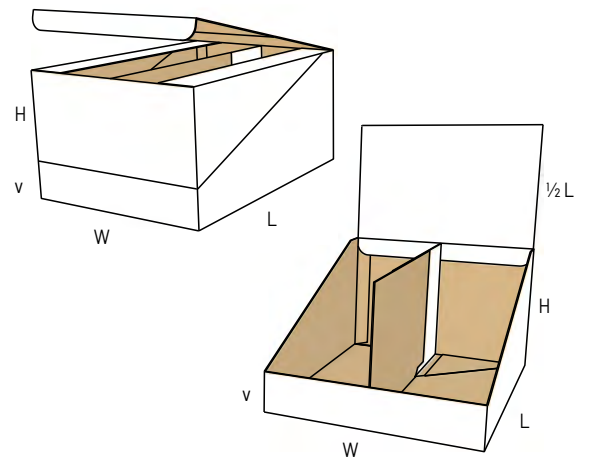
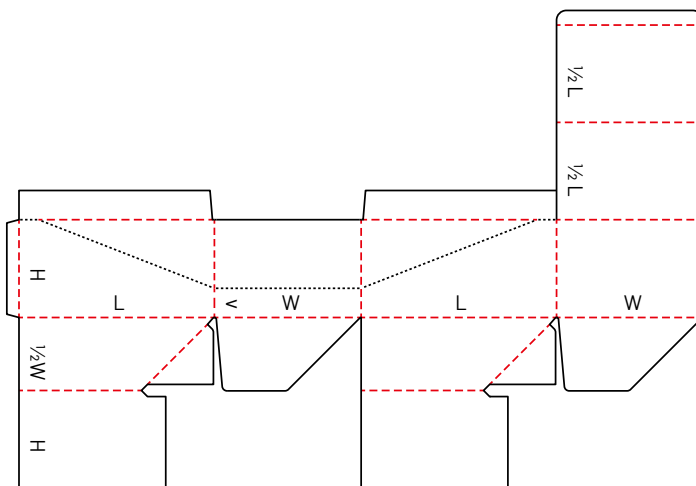
## 0714 M



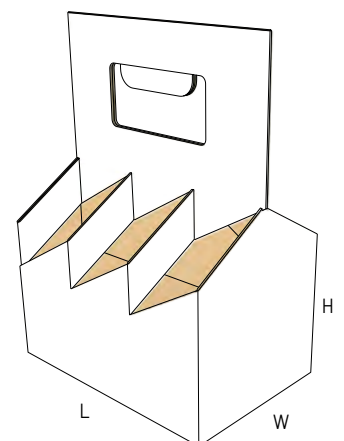
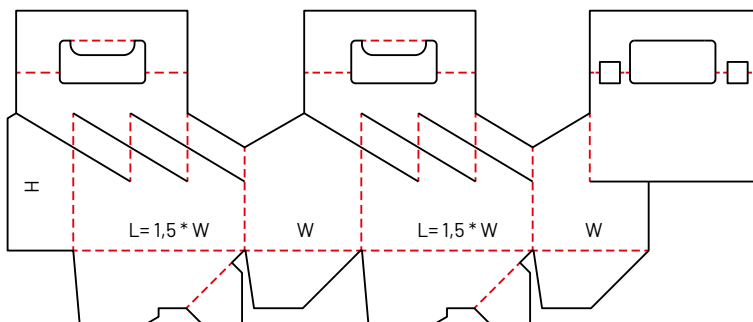
## 0715 M



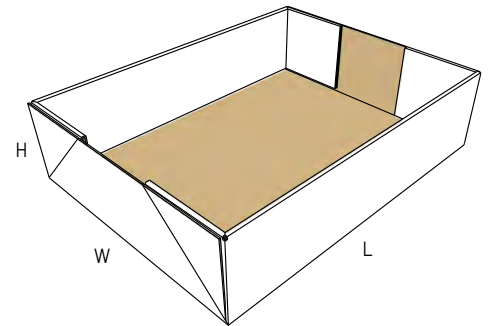
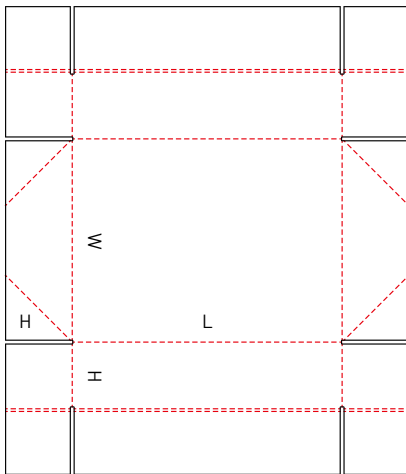
## 0716 M



## 0717 M

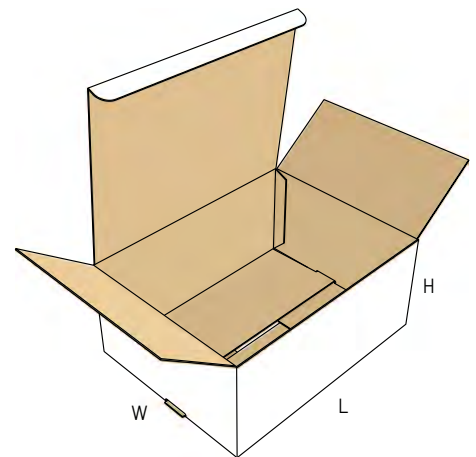
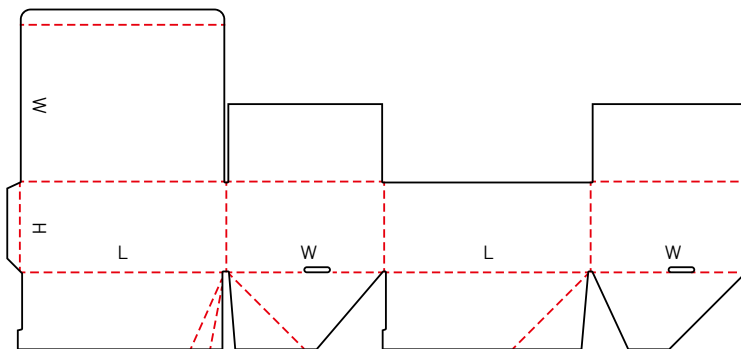


## 0718 M



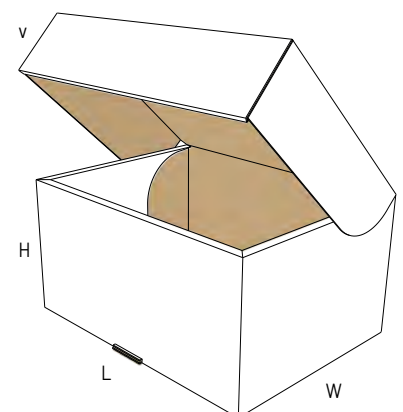
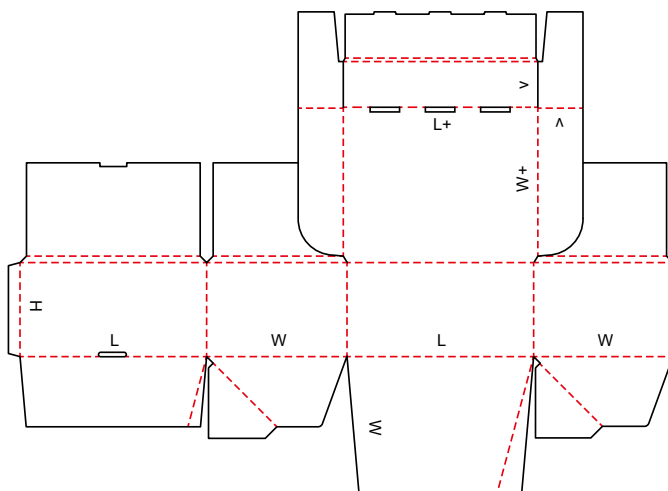
## 0719 M

NEW



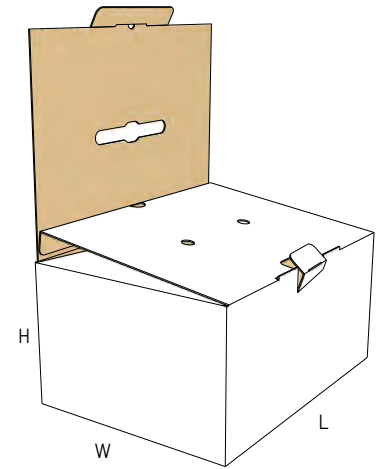
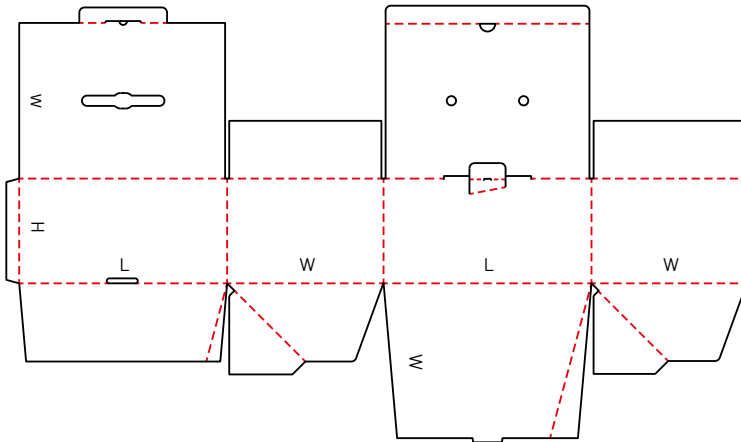
## 0720 M

NEW



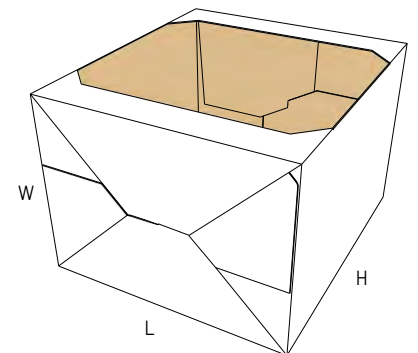
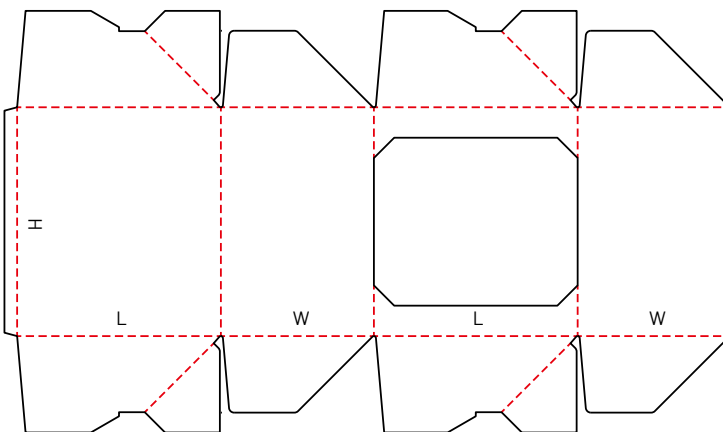
## 0721 M

NEW



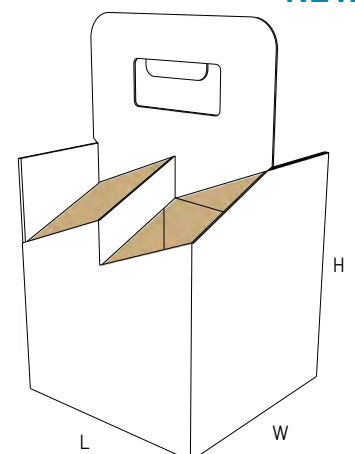
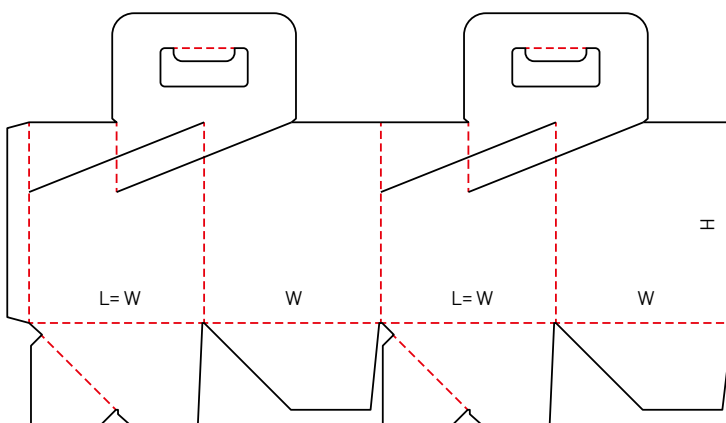
## 0722 M

NEW



## 0723 M

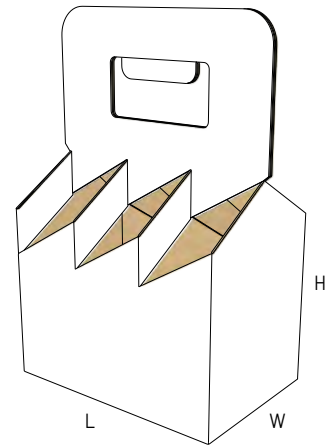
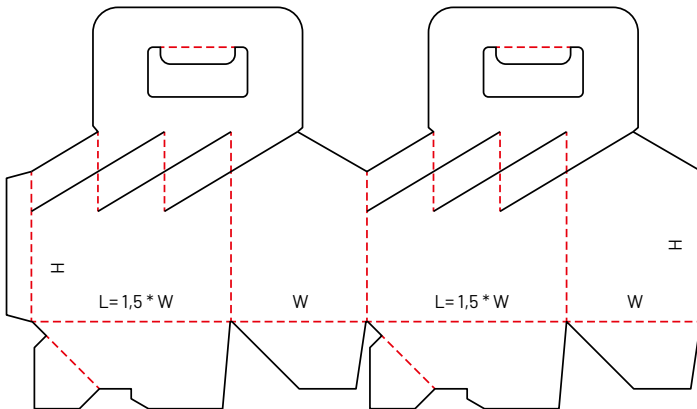
NEW





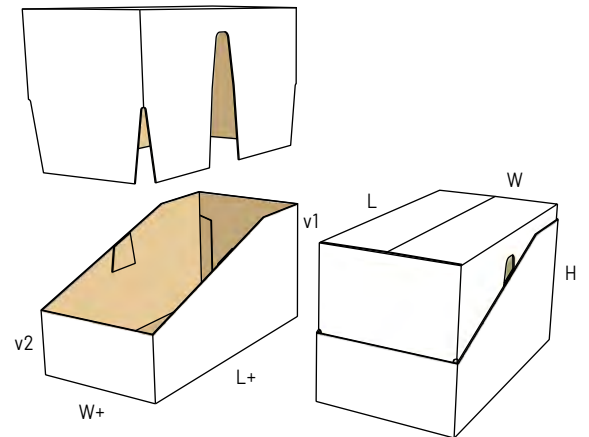
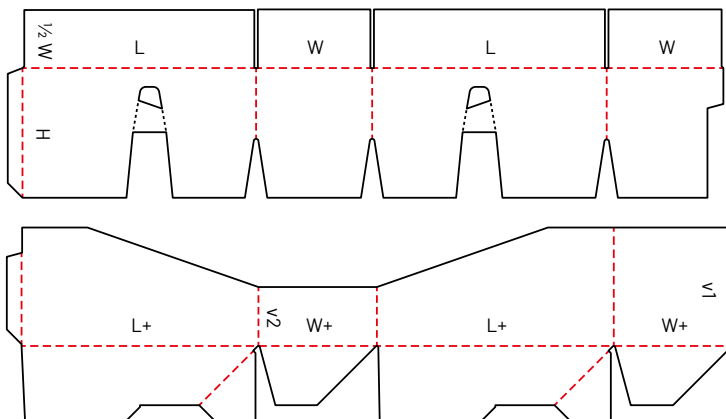
# 0724 M

NEW



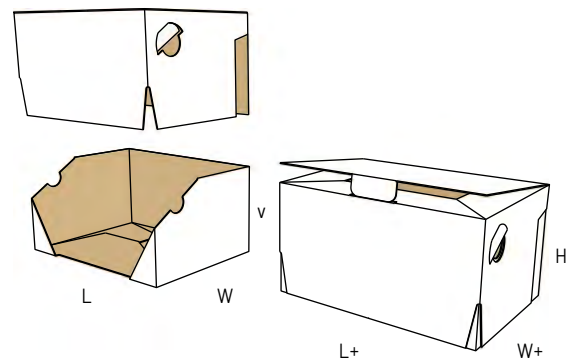
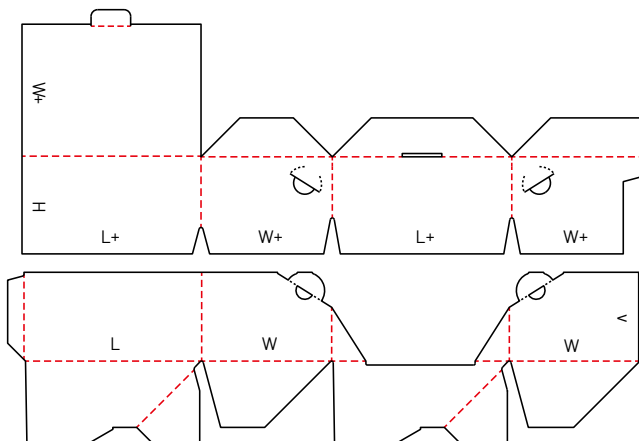
# 0725 M

NEW



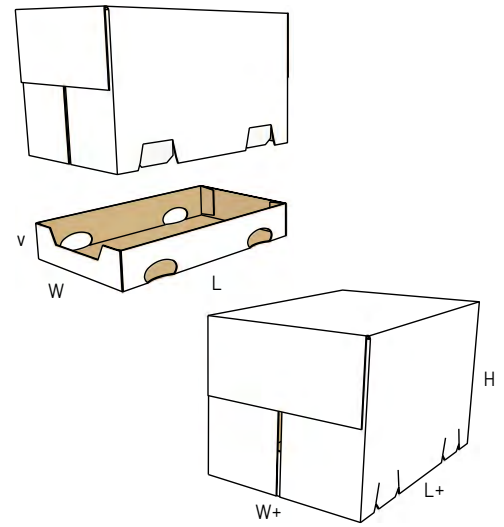
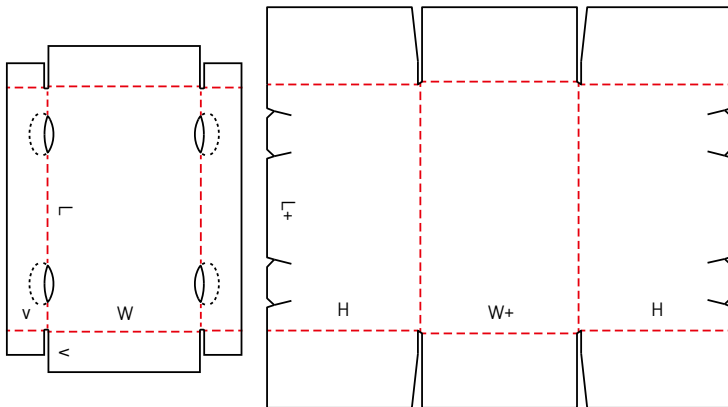
# 0726 M

NEW



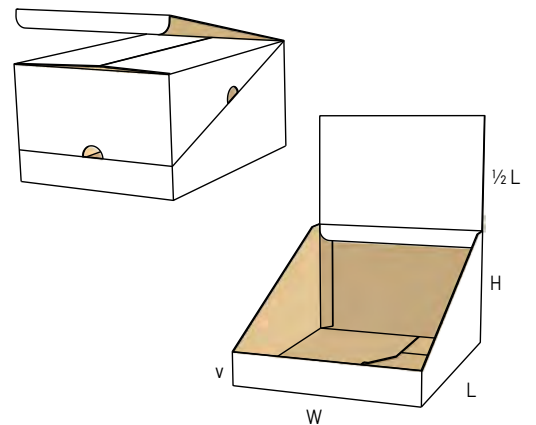
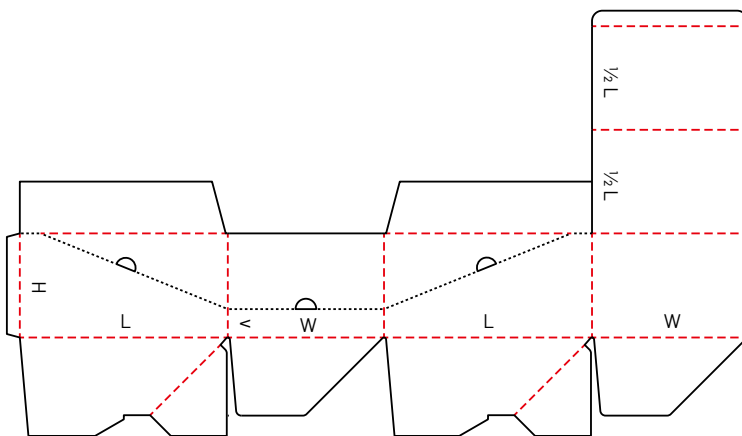
## 0727 A

NEW



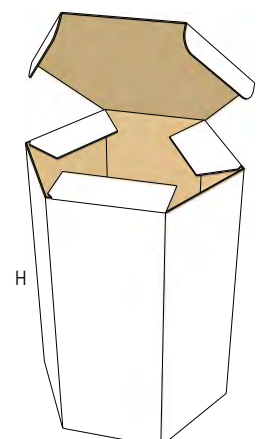
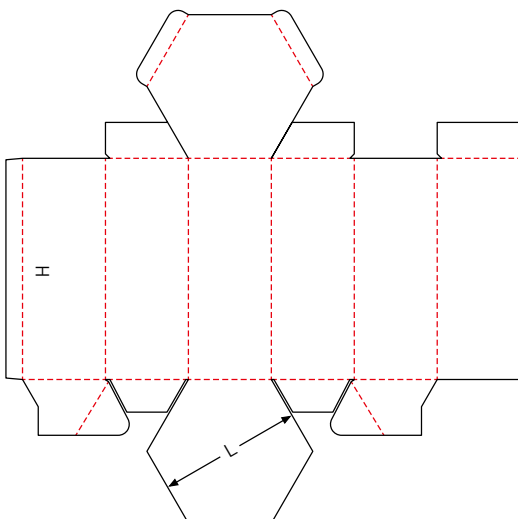
## 0728 M

NEW



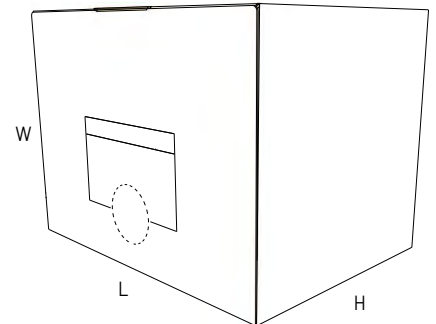
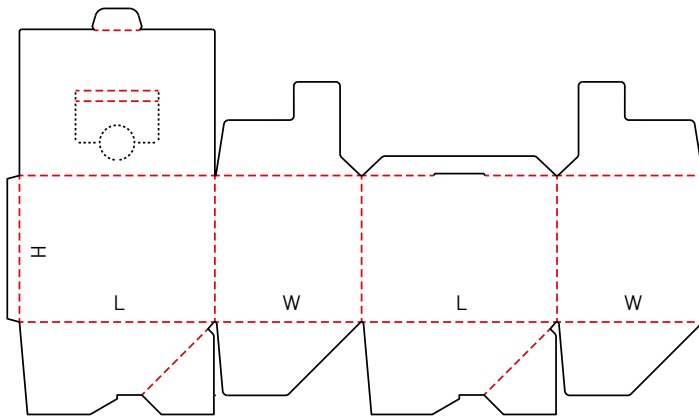
## 0730 M

NEW

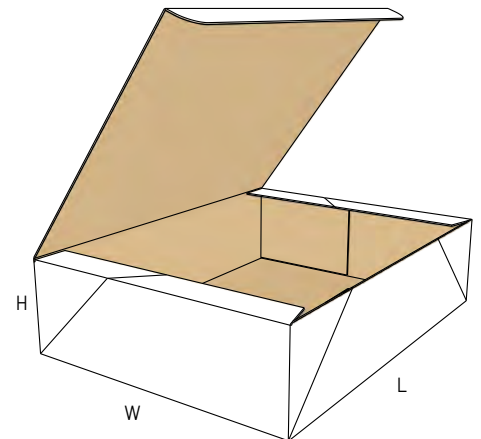
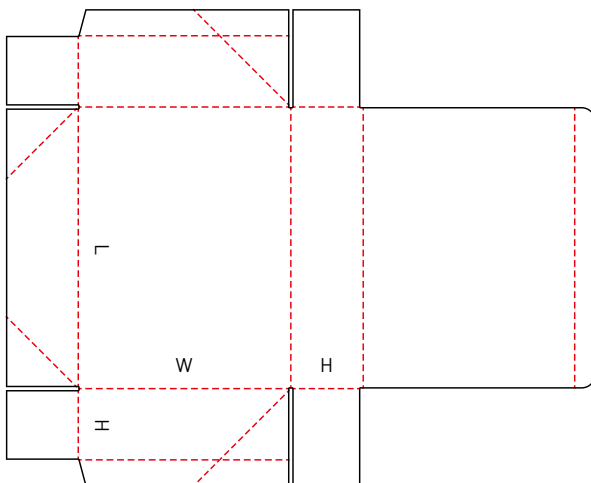


## 0740 M

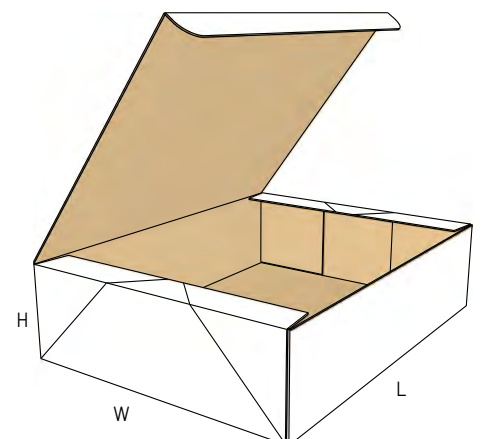
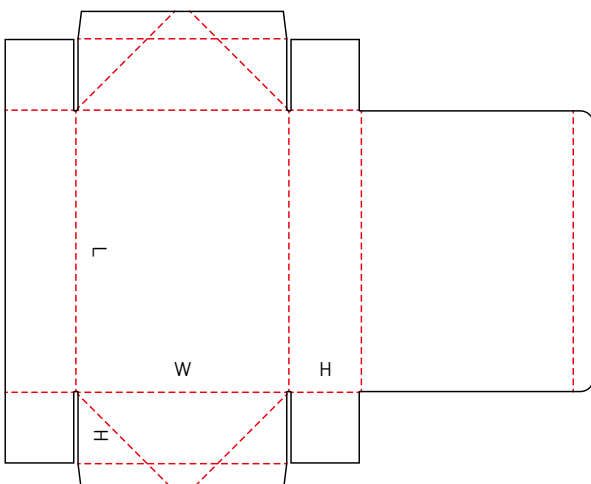
NEW



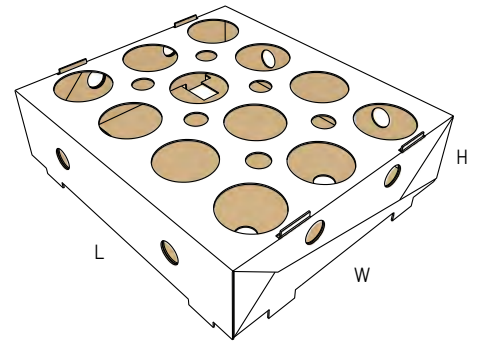
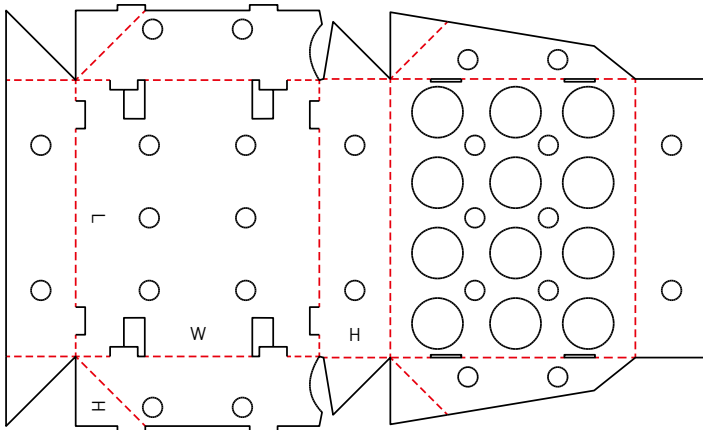
## 0747 M



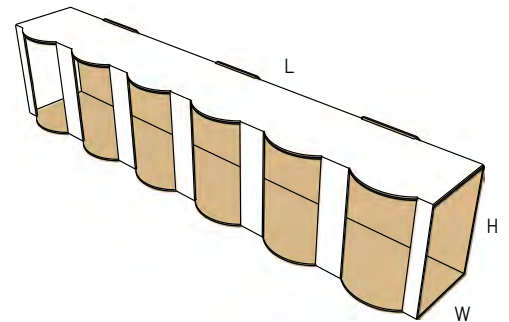
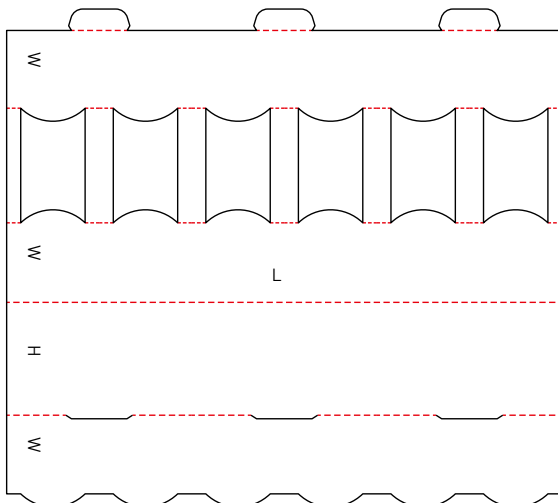
## 0748 M



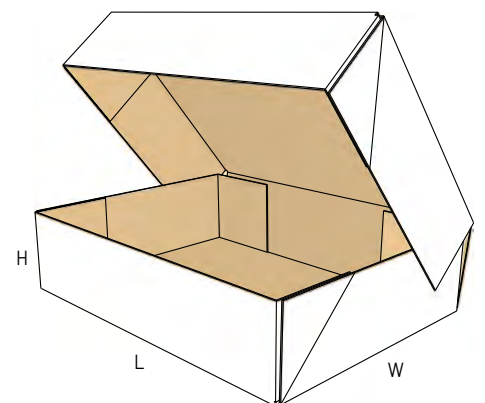
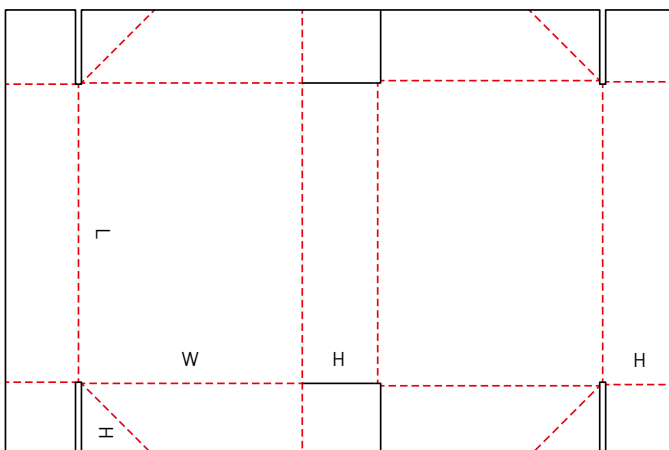
## 0751 M



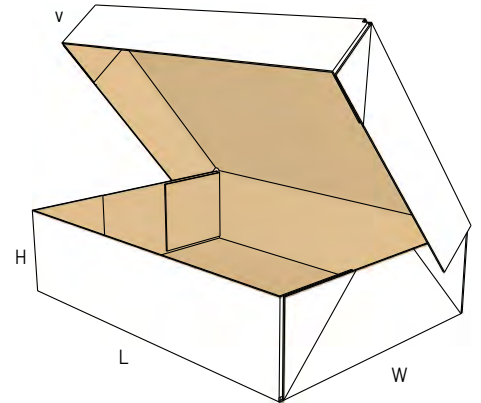
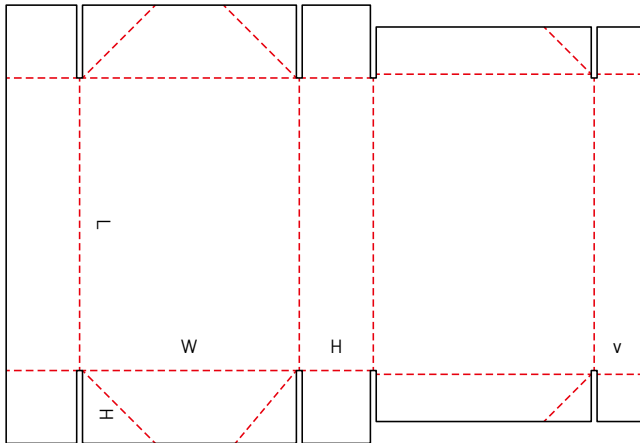
## 0752 M



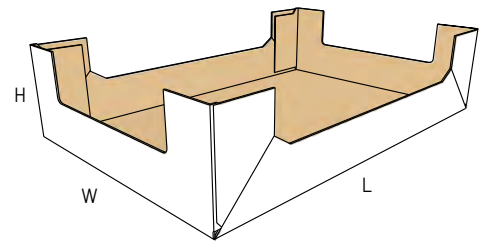
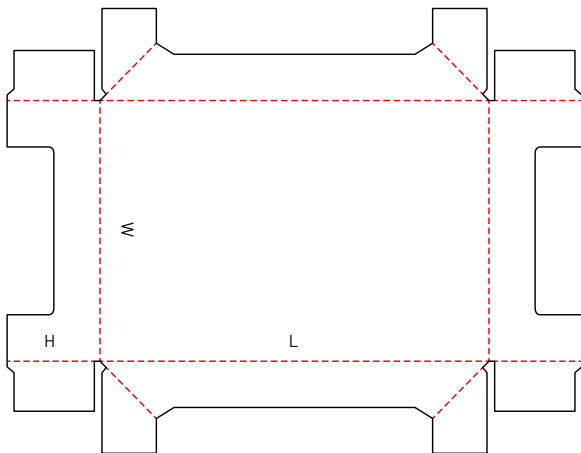
## 0759 M



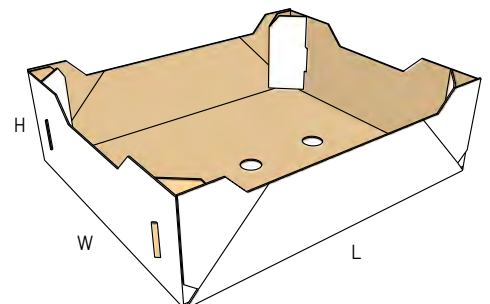
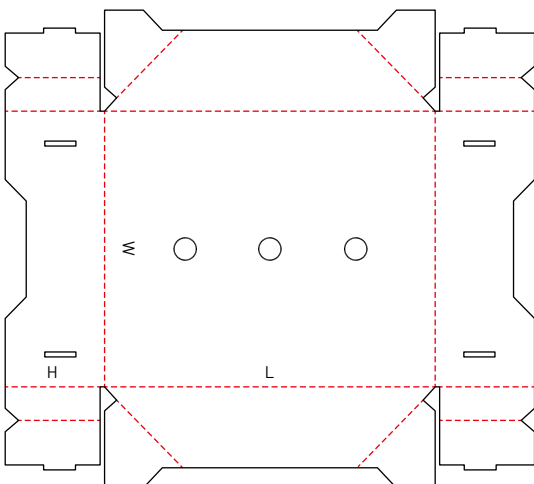
## 0761 M



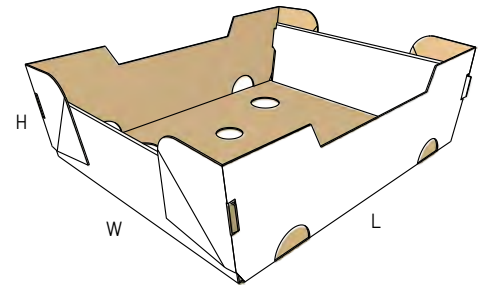
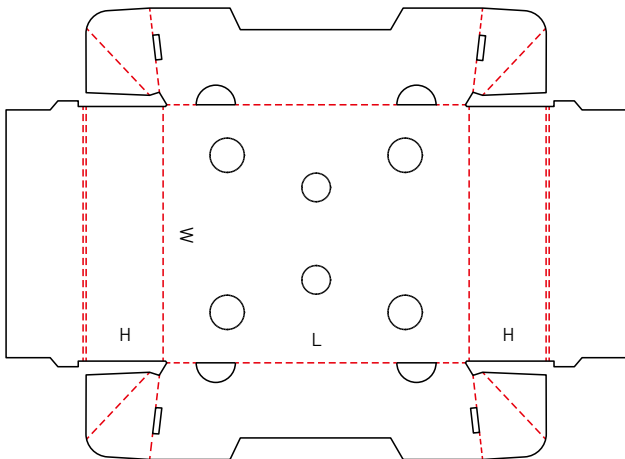
## 0770 M



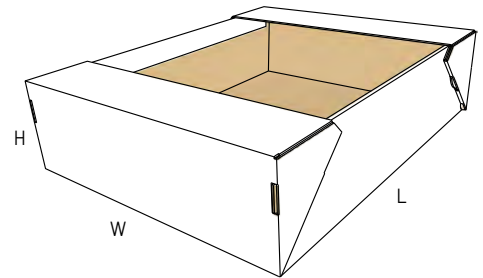
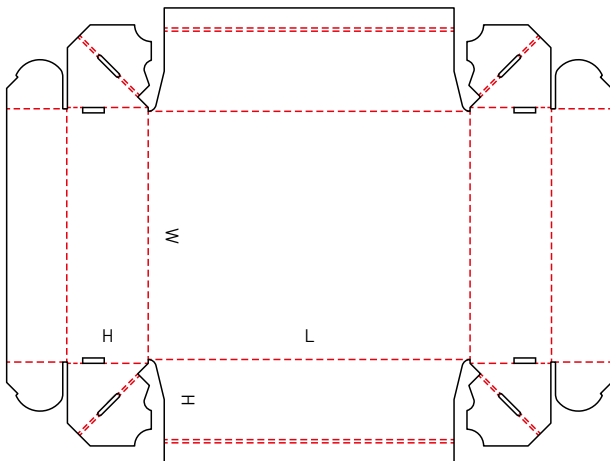
## 0771 M



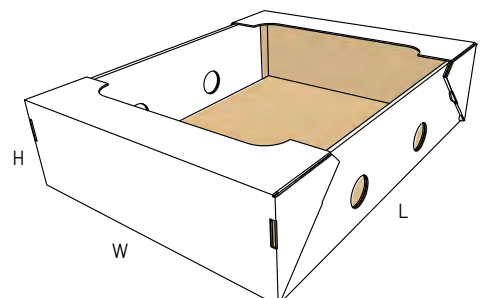
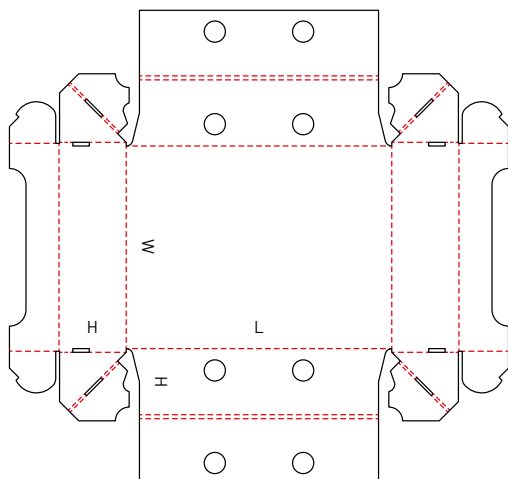
## 0772 M



## 0773 M

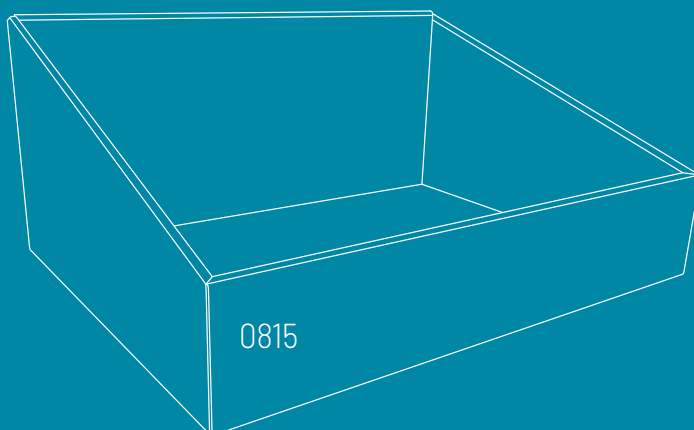
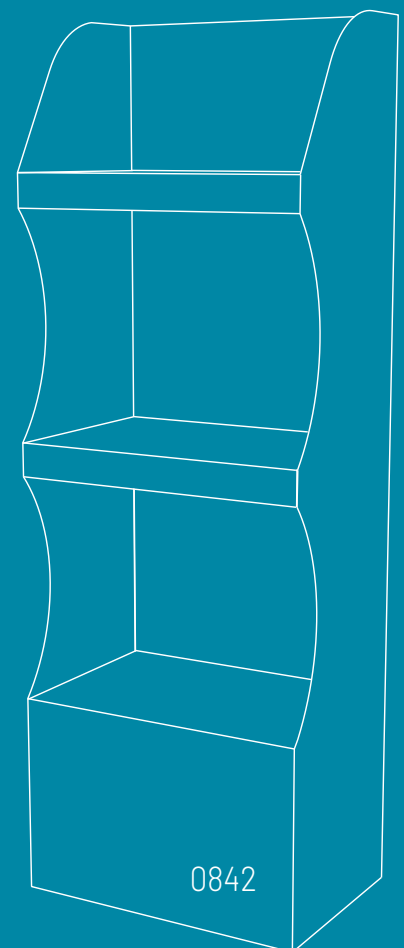
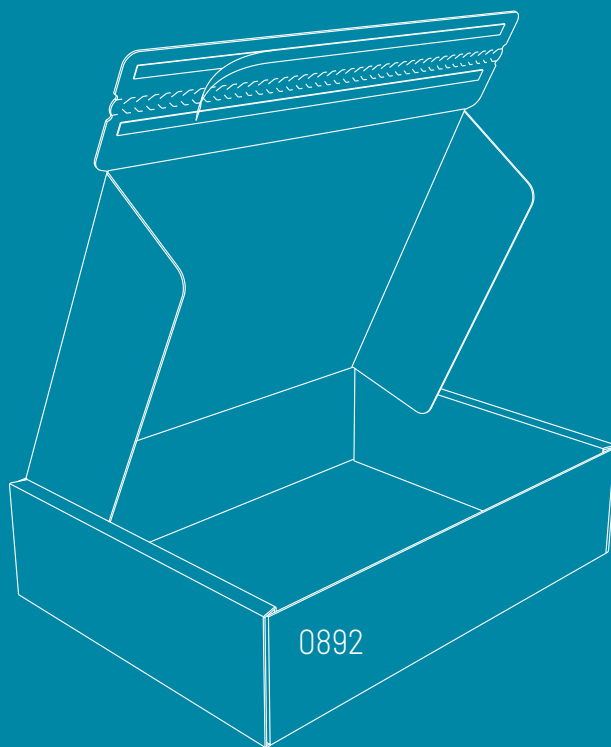


## 0774 M

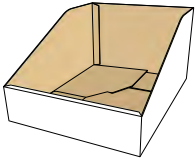


## RETAIL AND E-COMMERCE PACKAGING

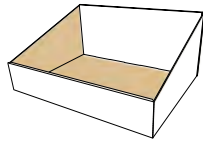
Retail and e-commerce packaging category shows the typical styles used for Point of Sale (POS) displays and trays as well as styles for the online trade.



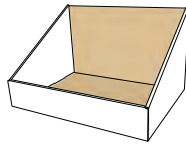
**0801 M**  
NEW



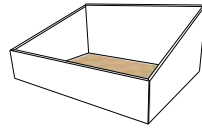
**0802 M/A**  
NEW



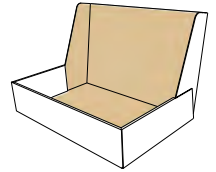
**0803 M**  
NEW



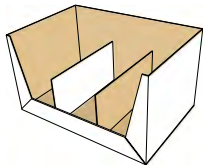
**0804 M**  
NEW



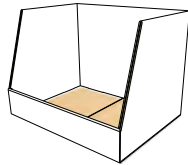
**0808 M**  
NEW



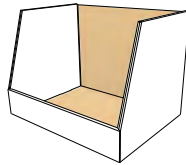
**0809 M**  
NEW



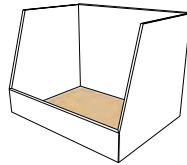
**0815 M**  
NEW



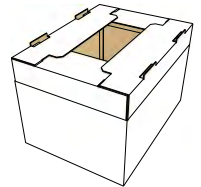
**0816 M**  
NEW



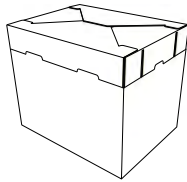
**0817 M**  
NEW



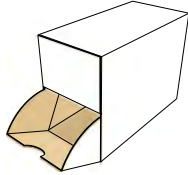
**0818 M**  
NEW



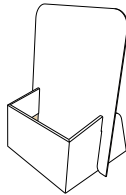
**0819 M**  
NEW



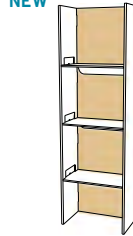
**0825 M**  
NEW



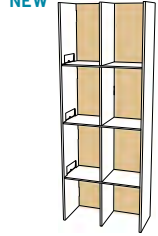
**0826 M**  
NEW



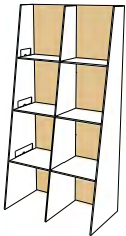
**0830 M**  
NEW



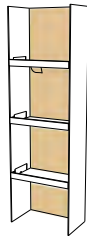
**0831 M**  
NEW



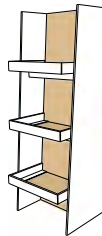
**0832 M**  
NEW



**0833 M**  
NEW



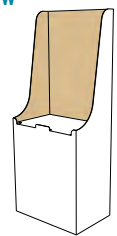
**0834 M**  
NEW



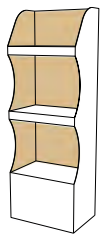
**0840 M**  
NEW



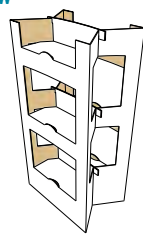
**0841 M**  
NEW



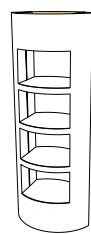
**0842 M**  
NEW



**0843 M**  
NEW



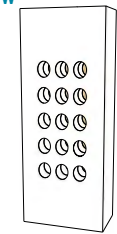
**0845 M**  
NEW



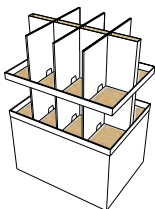
**0846 M**  
NEW



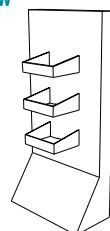
**0847 M**  
NEW



**0848 M**  
NEW



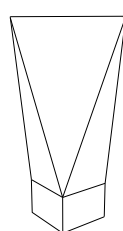
**0849 M**  
NEW



**0850 M**  
NEW



**0851 M**  
NEW

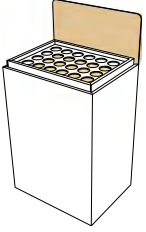


**0852 M**  
NEW

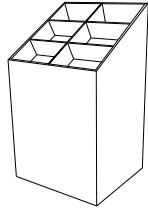




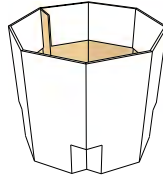
**0853 M**  
NEW



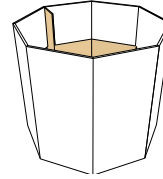
**0854 M**  
NEW



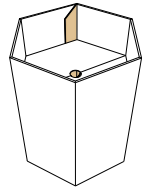
**0858 M**  
NEW



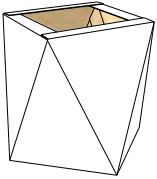
**0859 M**  
NEW



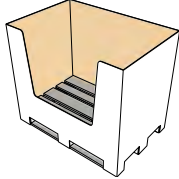
**0860 M**  
NEW



**0861 M**  
NEW



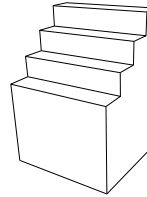
**0865 M**  
NEW



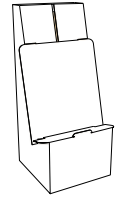
**0866 M**  
NEW



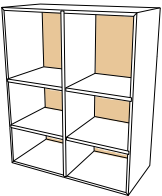
**0870 M**  
NEW



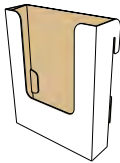
**0871 M**  
NEW



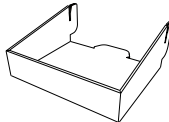
**0872 M**  
NEW



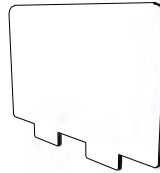
**0873 M**  
NEW



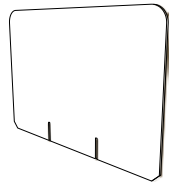
**0874 M**  
NEW



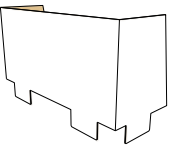
**0880 M**  
NEW



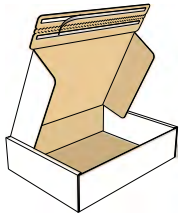
**0881 M**  
NEW



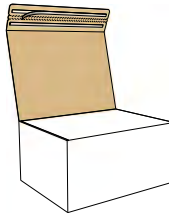
**0882 M**  
NEW



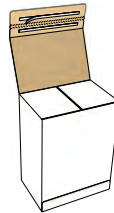
**0885 M**  
NEW



**0886 M**  
NEW

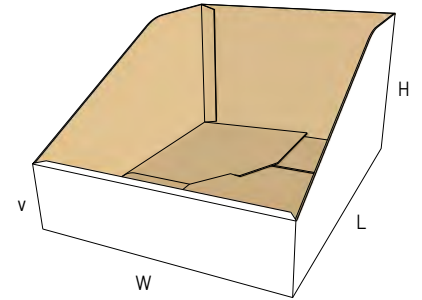
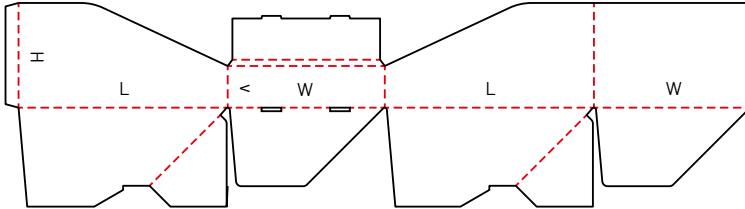


**0887 M**  
NEW



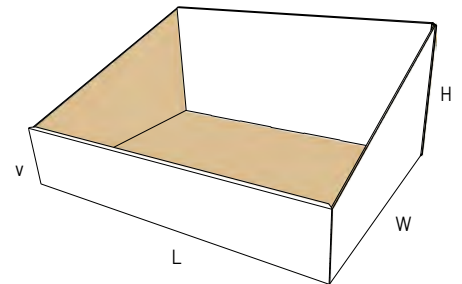
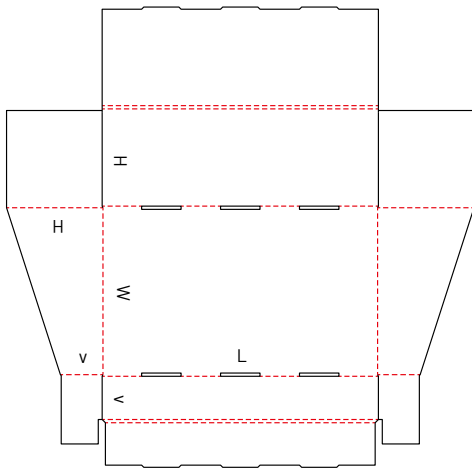
## 0801 M

NEW



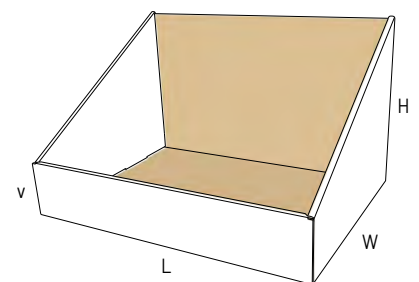
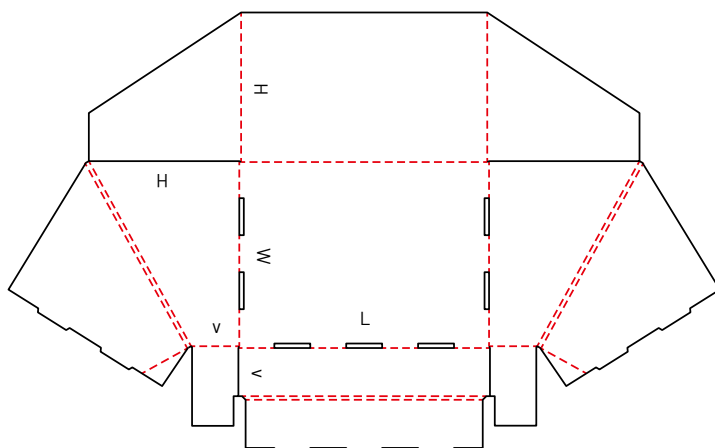
## 0802 M/A

NEW



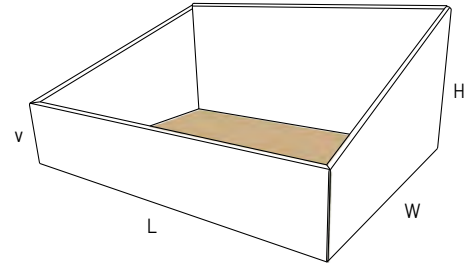
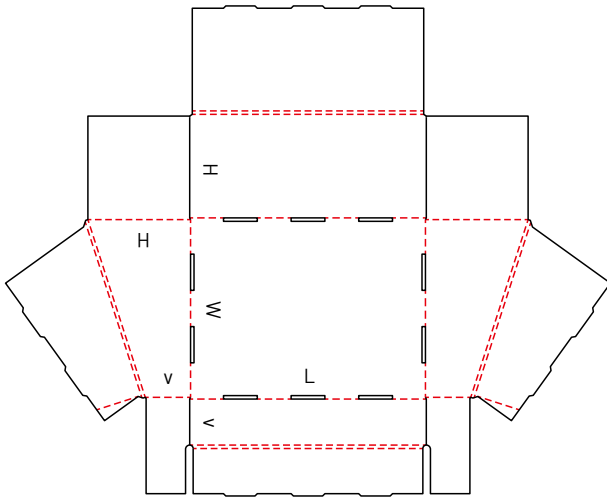
## 0803 M

NEW



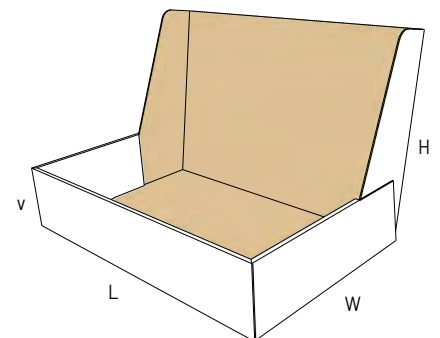
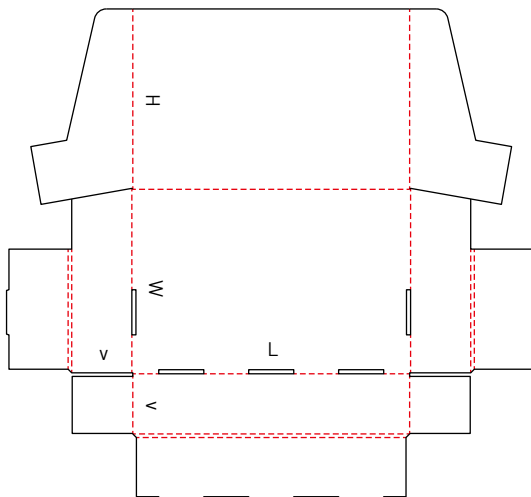
## 0804 M

NEW



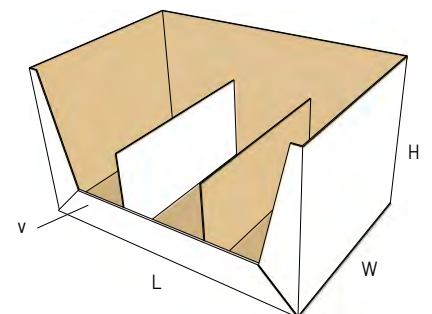
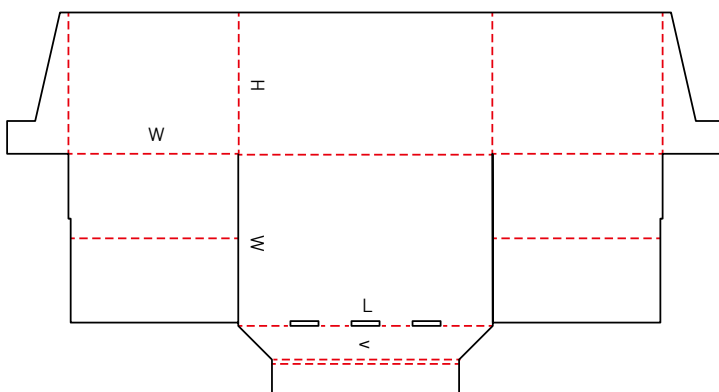
## 0808 M

NEW

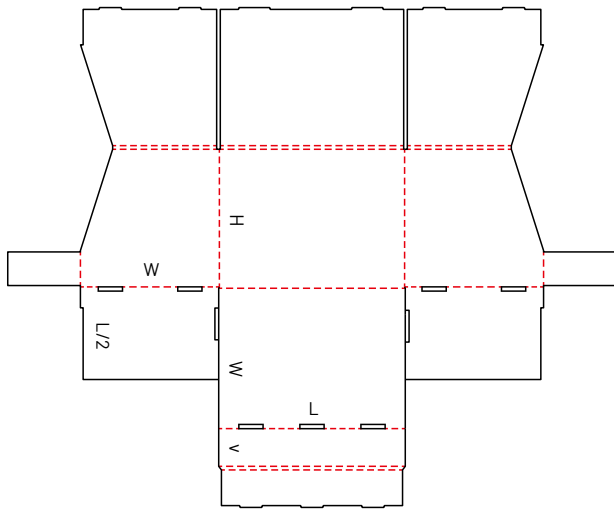


## 0809 M

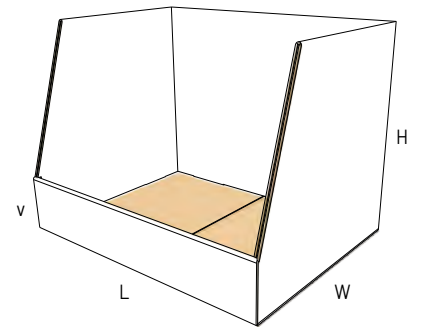
NEW



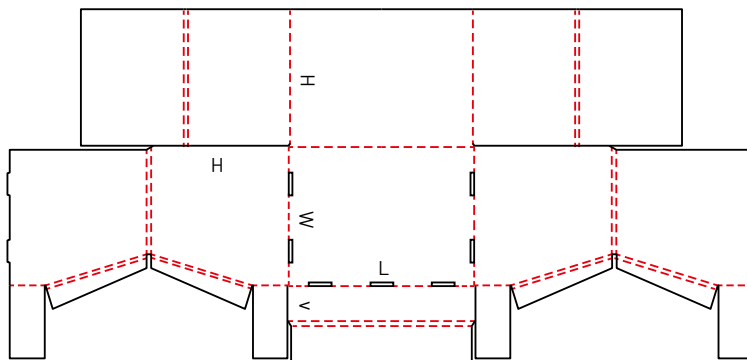
## 0815 M



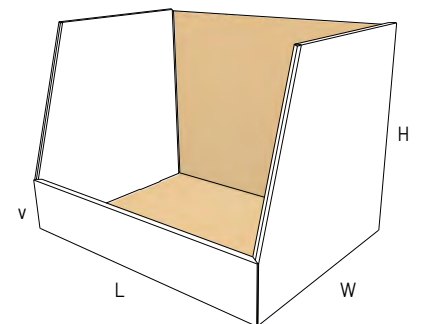
NEW



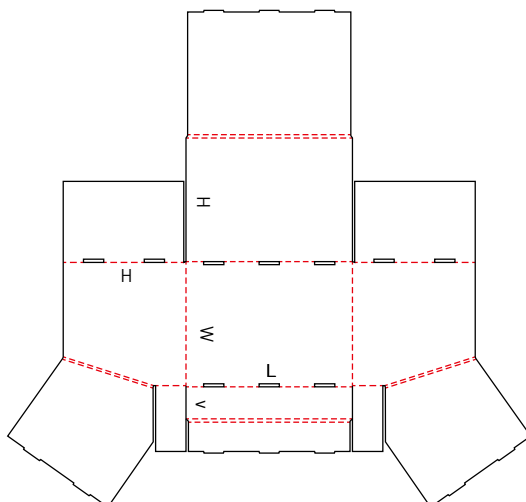
## 0816 M



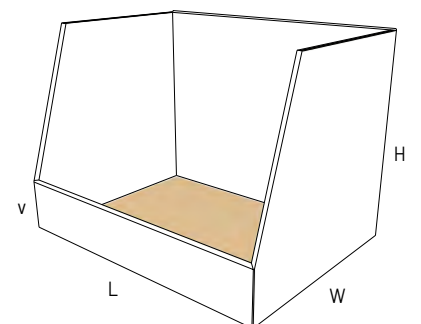
NEW



## 0817 M

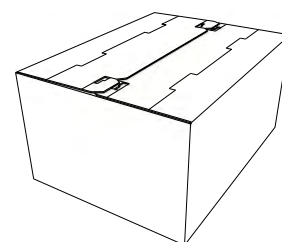
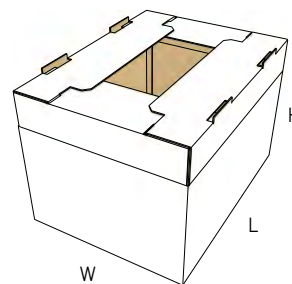
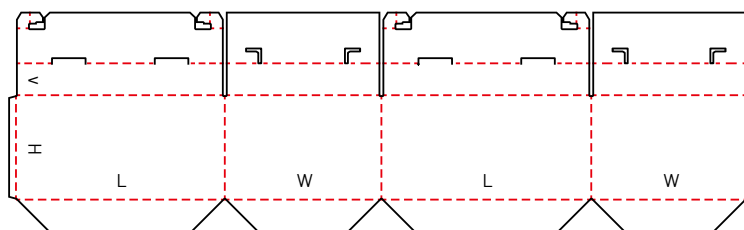


NEW



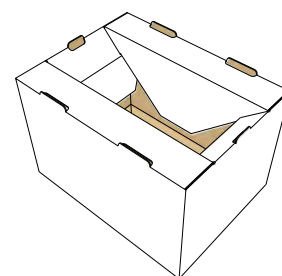
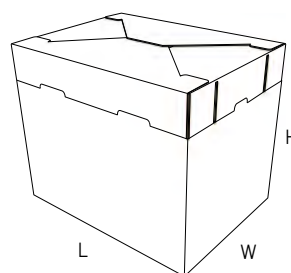
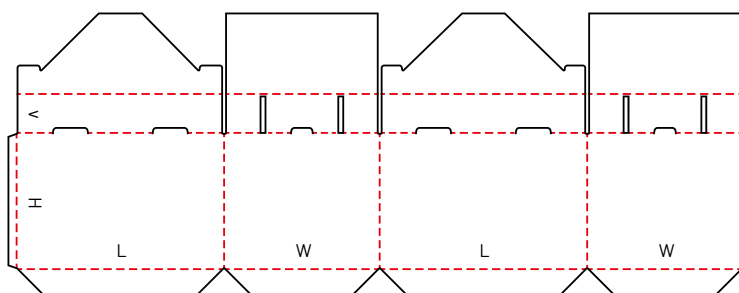
## 0818 M

NEW



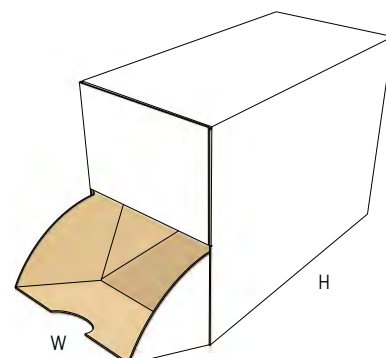
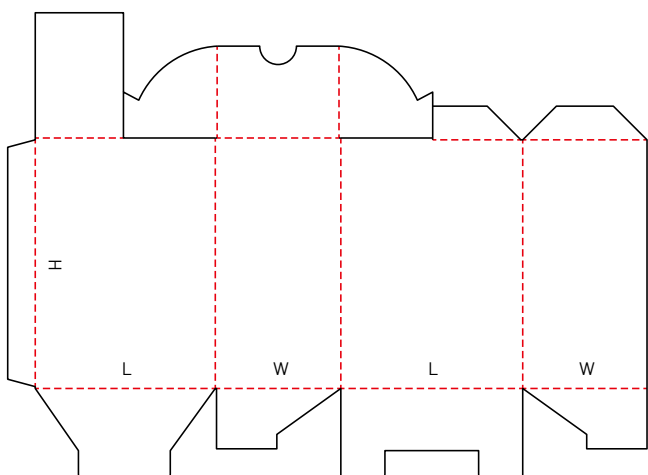
## 0819 M

NEW



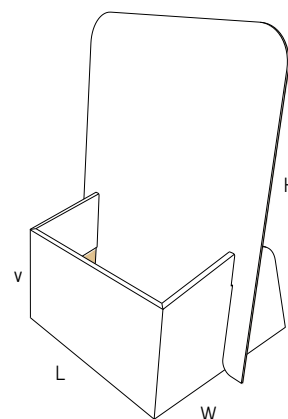
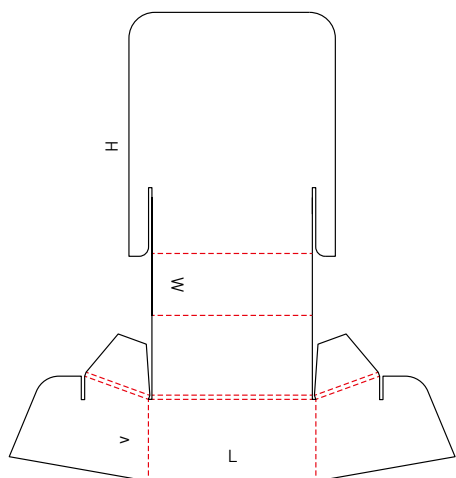
## 0825 M

NEW



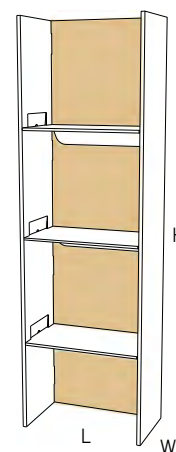
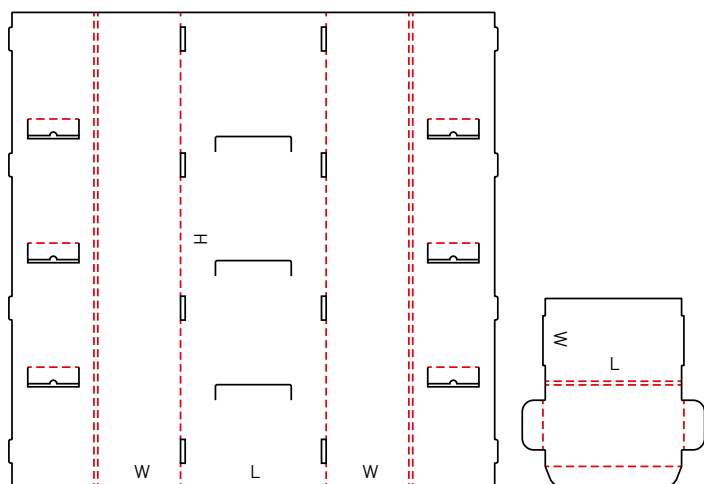
## 0826 M

NEW



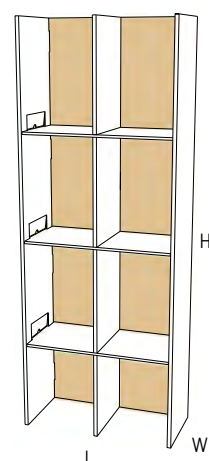
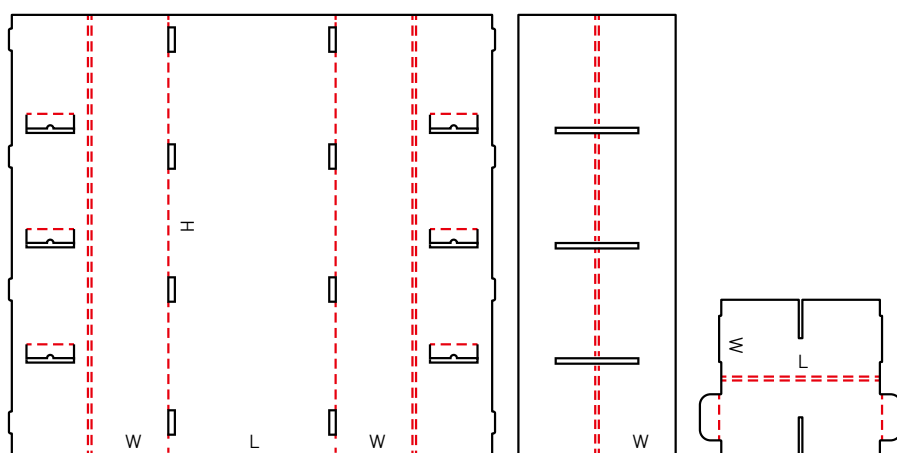
## 0830 M

NEW



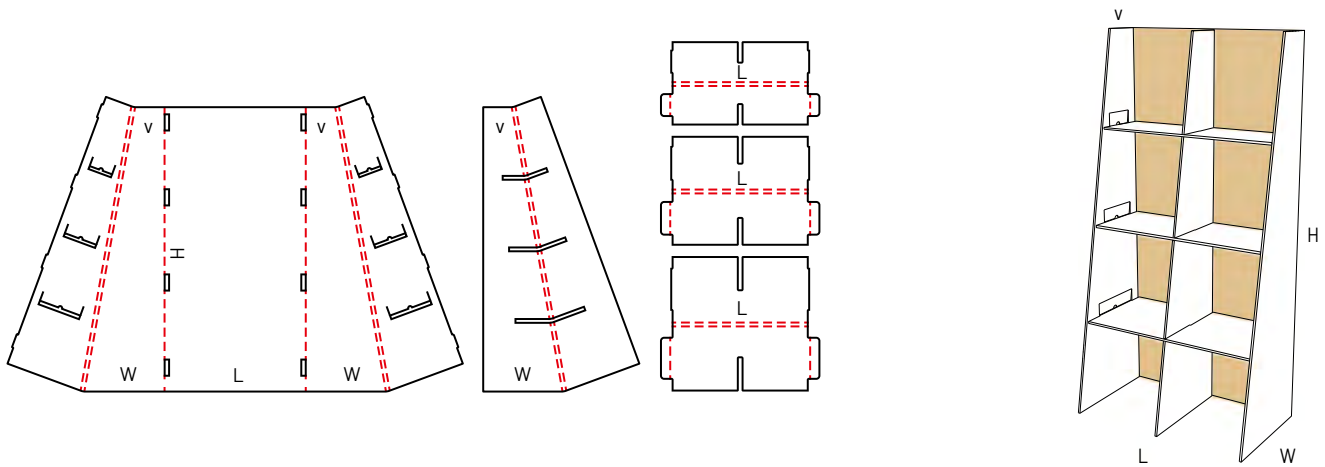
## 0831 M

NEW



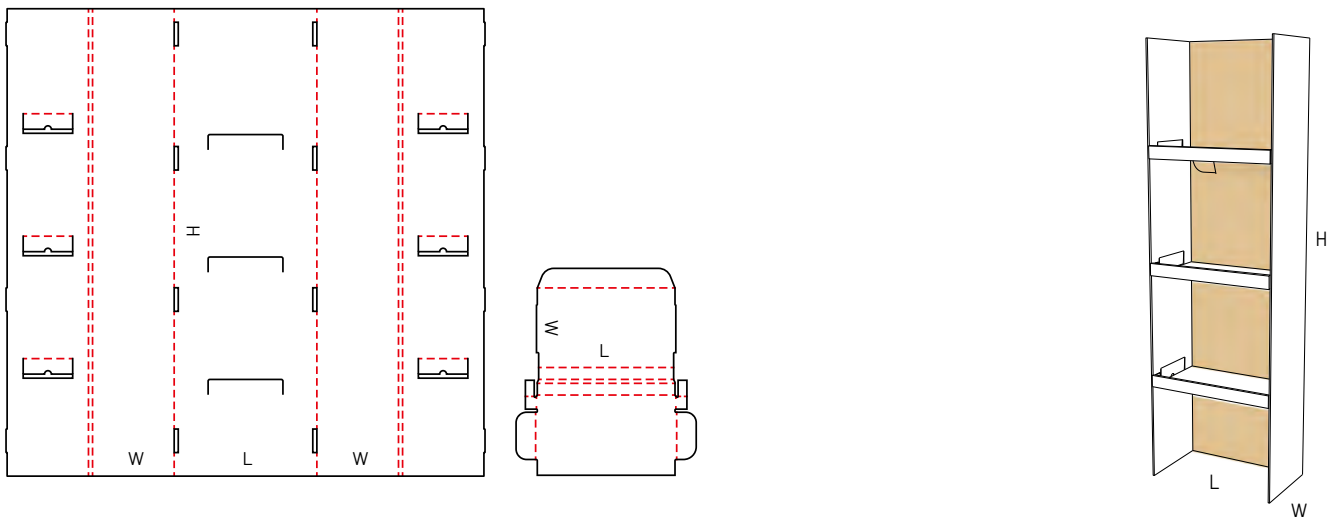
## 0832 M

NEW



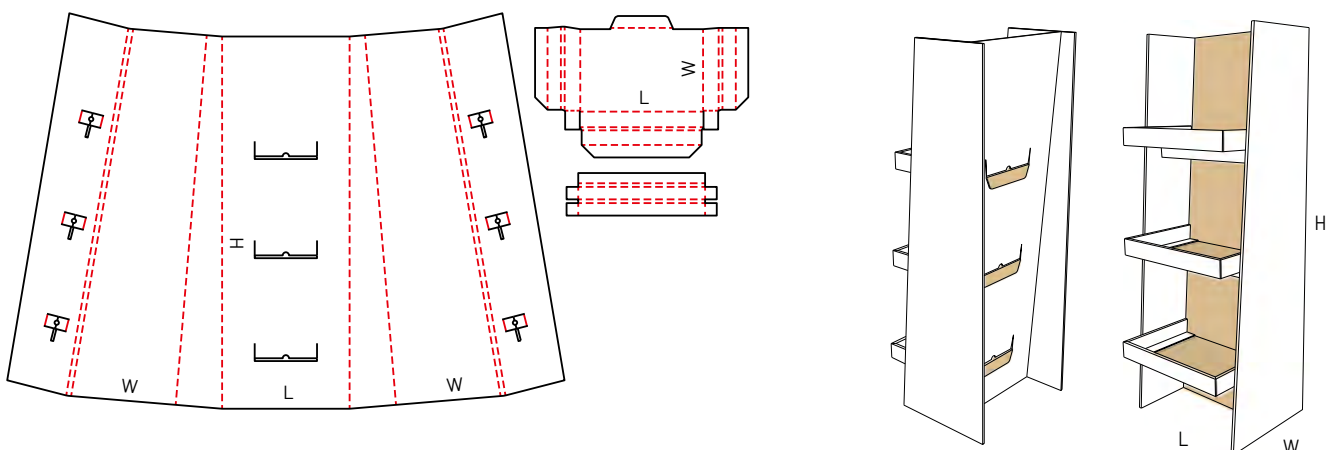
## 0833 M

NEW



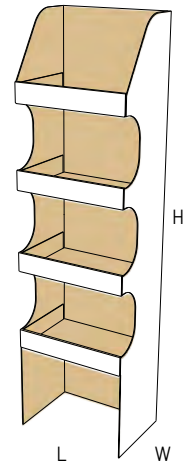
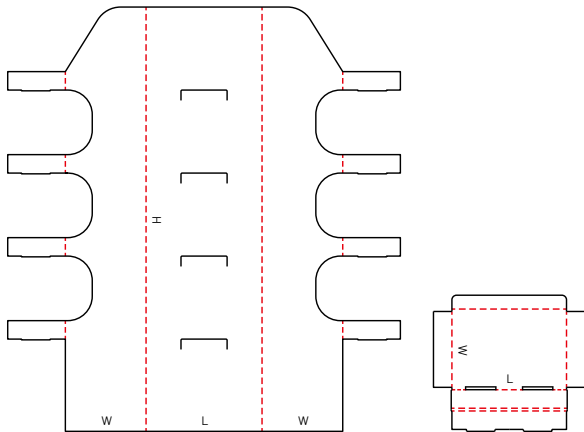
## 0834 M

NEW



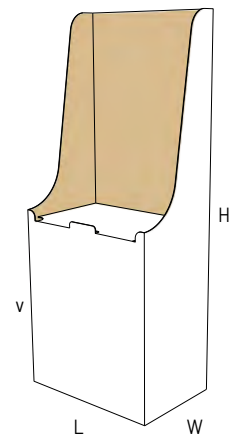
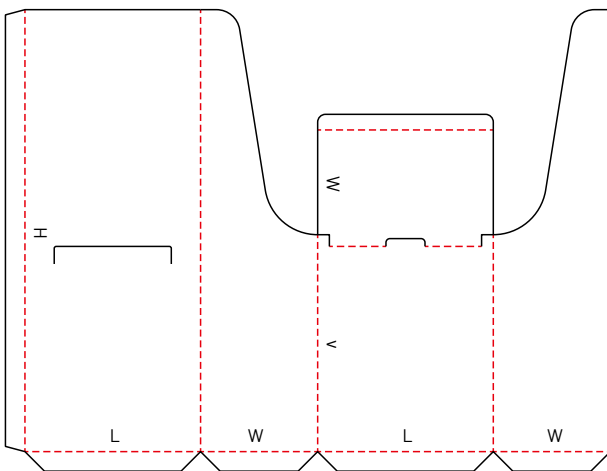
## 0840 M

NEW



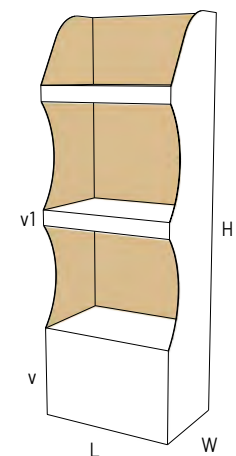
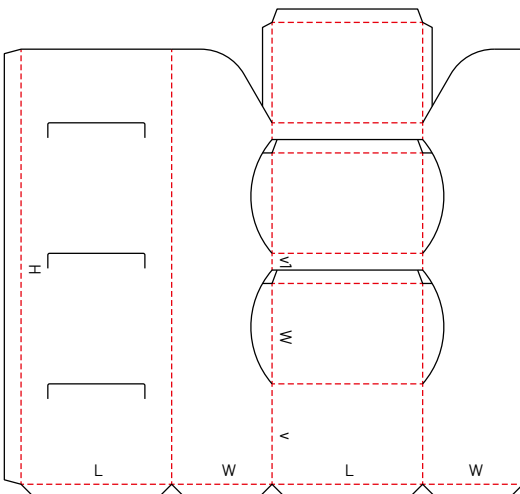
## 0841 M

NEW



## 0842 M

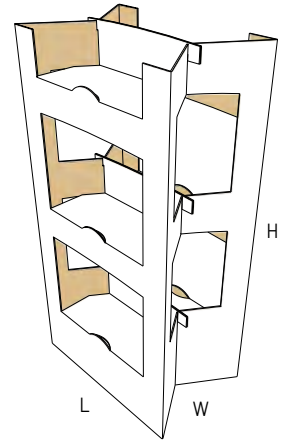
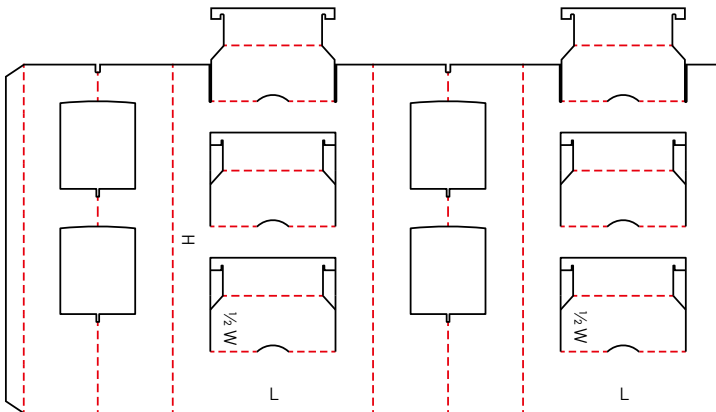
NEW





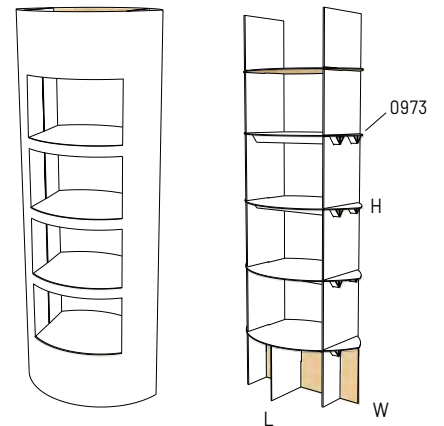
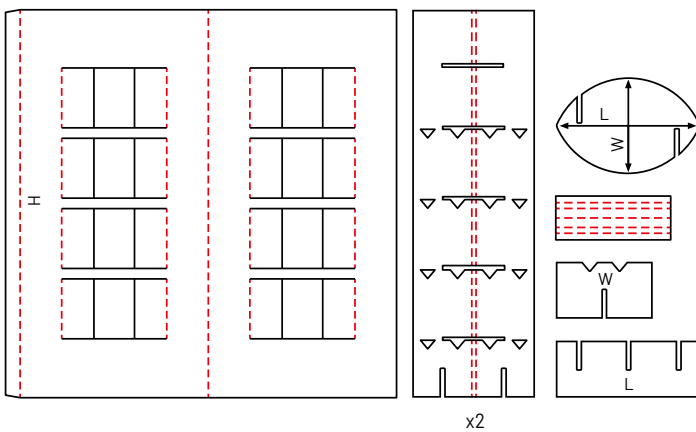
## 0843 M

NEW



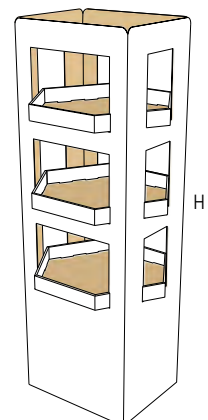
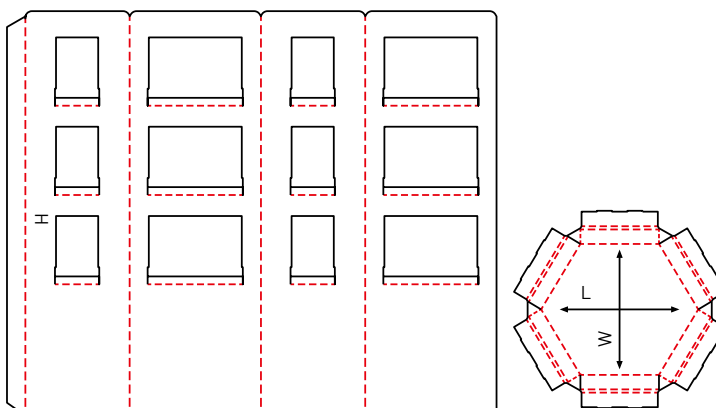
## 0845 M

NEW



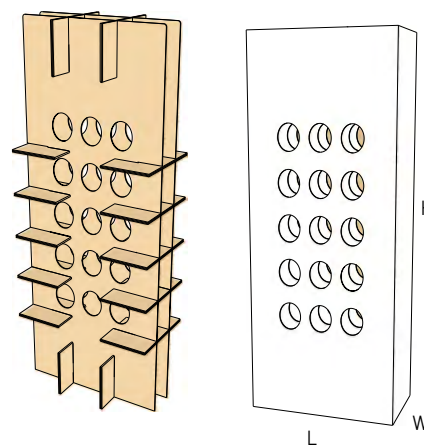
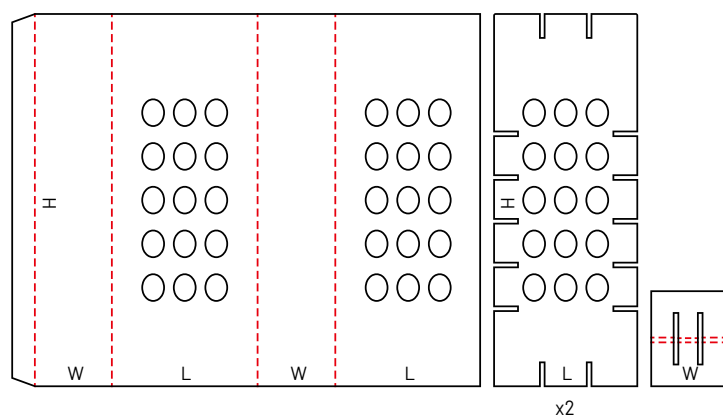
## 0846 M

NEW



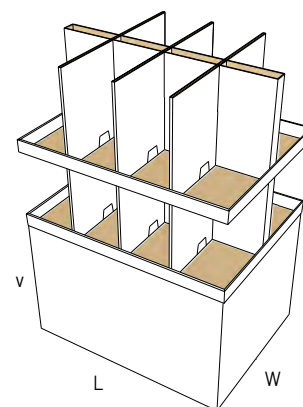
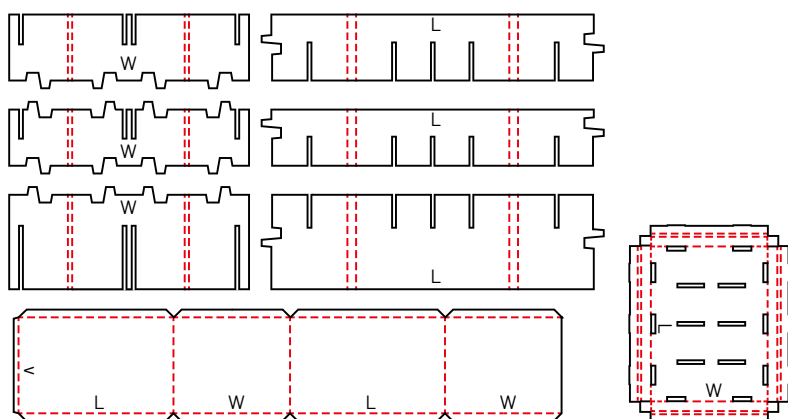
## 0847 M

NEW



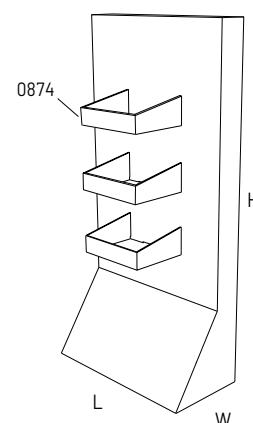
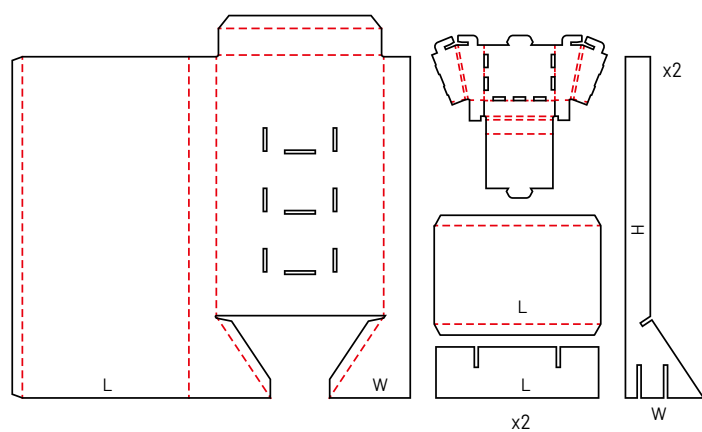
## 0848 M

NEW



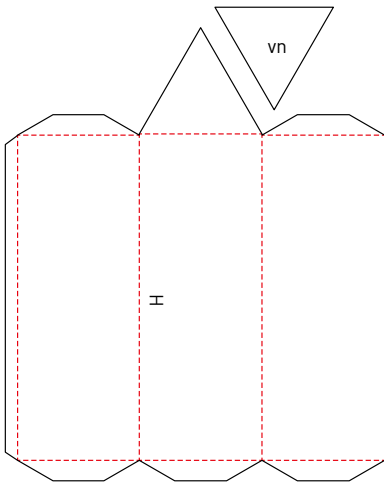
## 0849 M

NEW

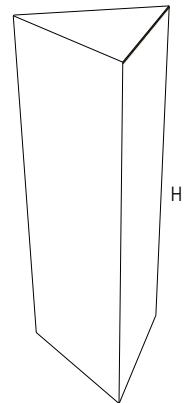
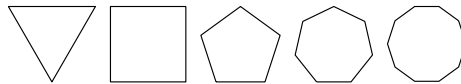


## 0850 M

NEW

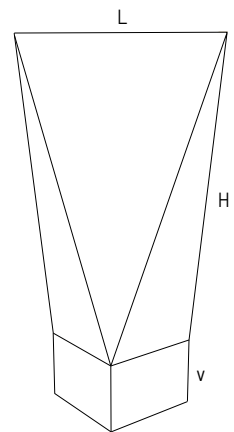
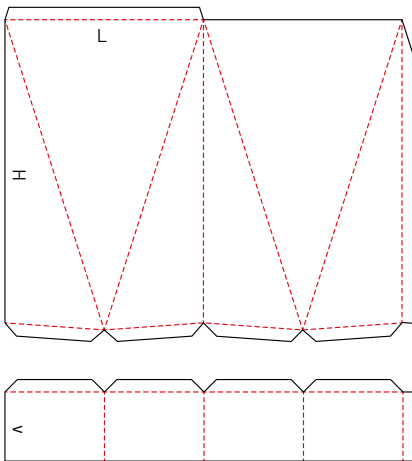


Design style could vary  
with multiple number of sides. (vn)



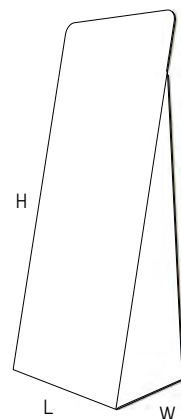
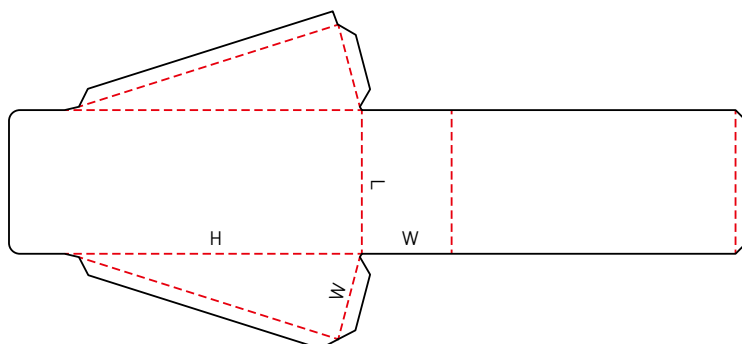
## 0851 M

NEW



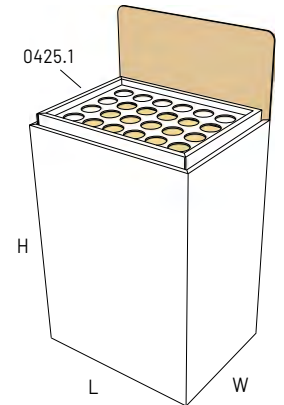
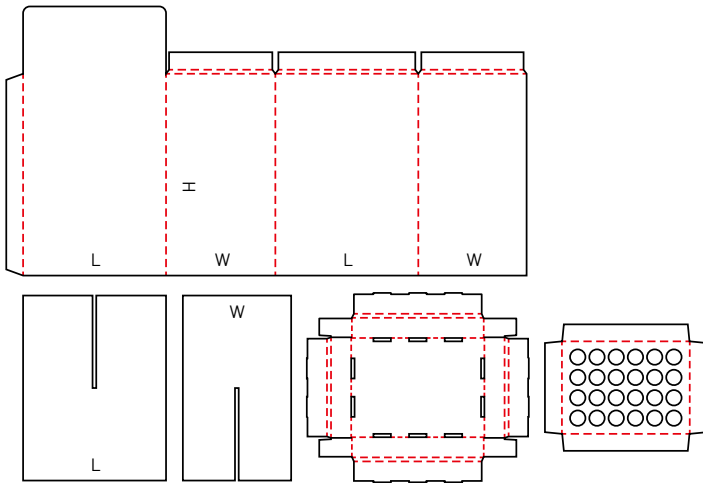
## 0852 M

NEW



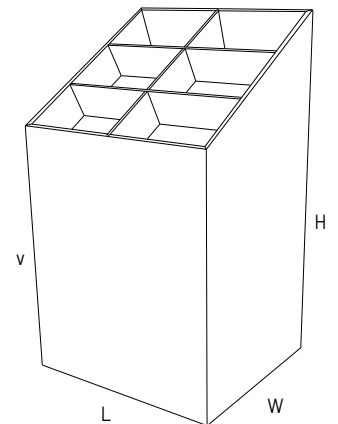
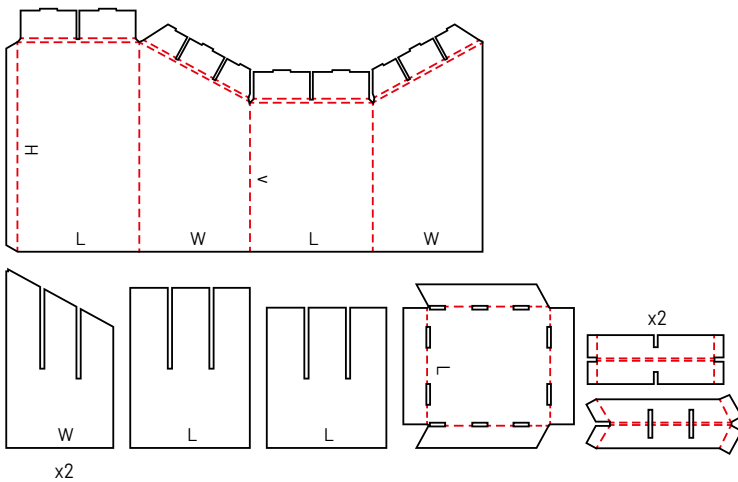
# 0853 M

NEW



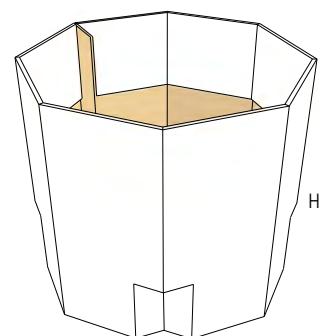
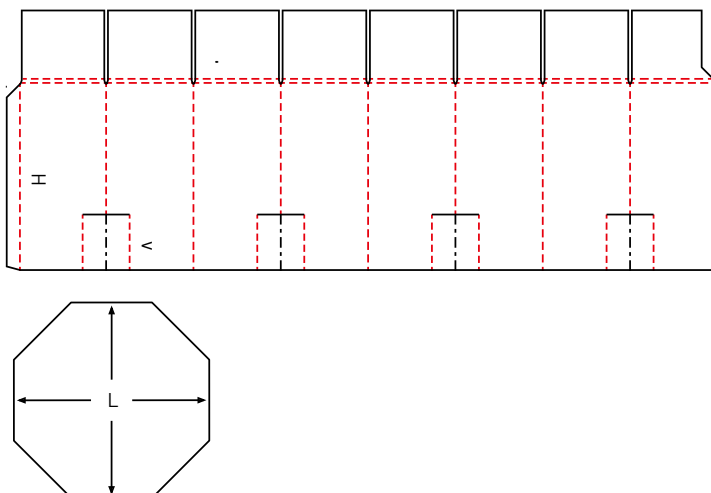
# 0854 M

NEW

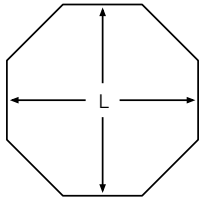
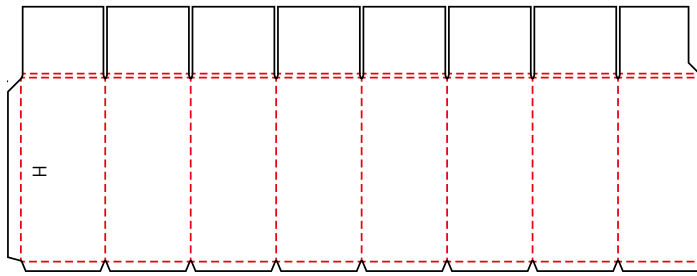


# 0858 M

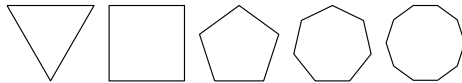
NEW



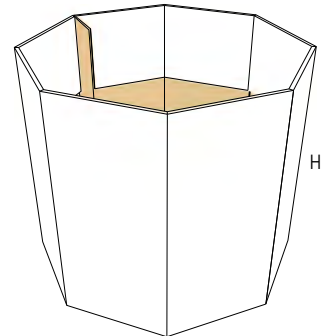
## 0859 M



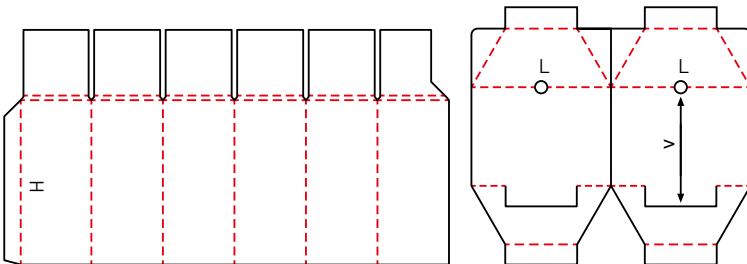
Design style could vary  
with multiple number of sides. (vn)



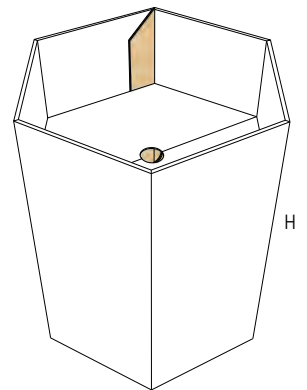
NEW



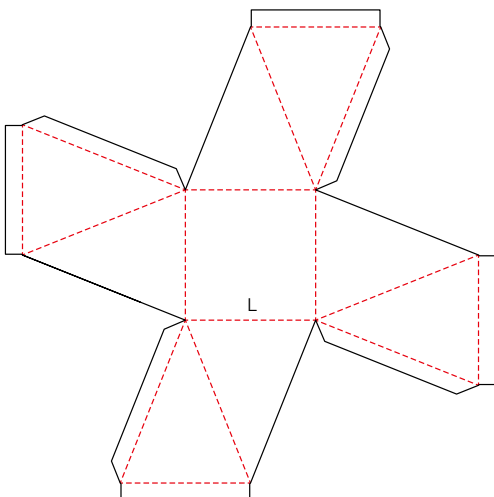
## 0860 M



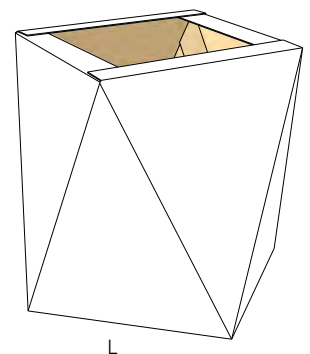
NEW



## 0861 M

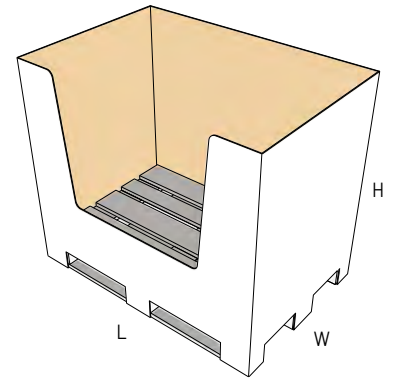
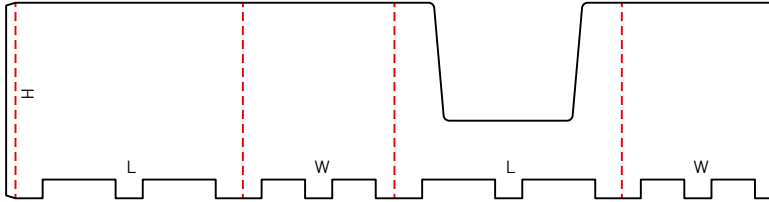


NEW



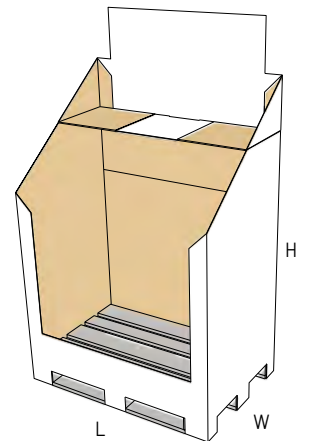
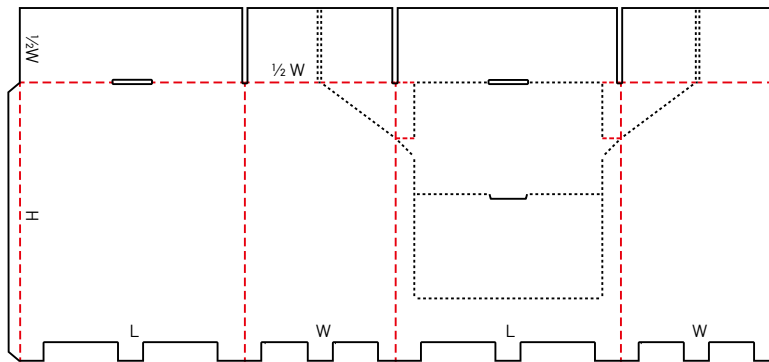
## 0865 M

NEW



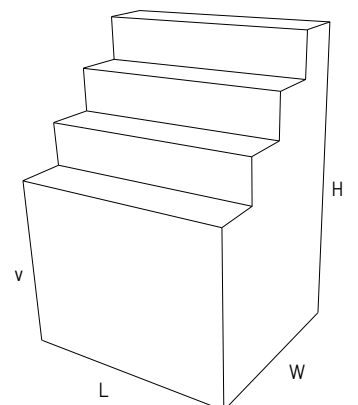
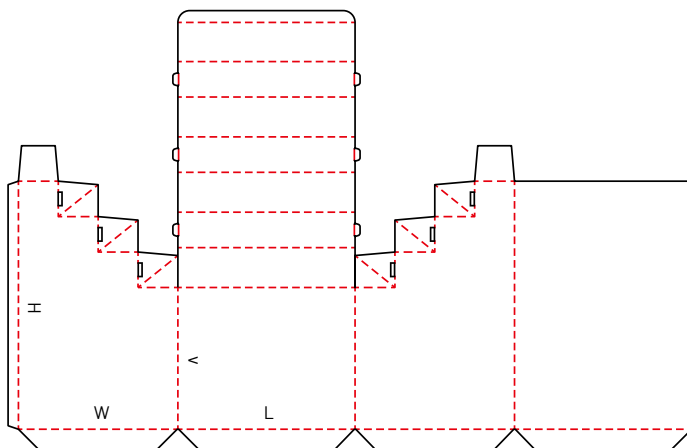
## 0866 M

NEW



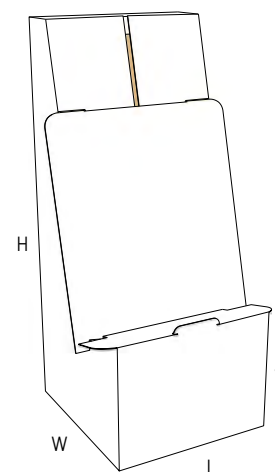
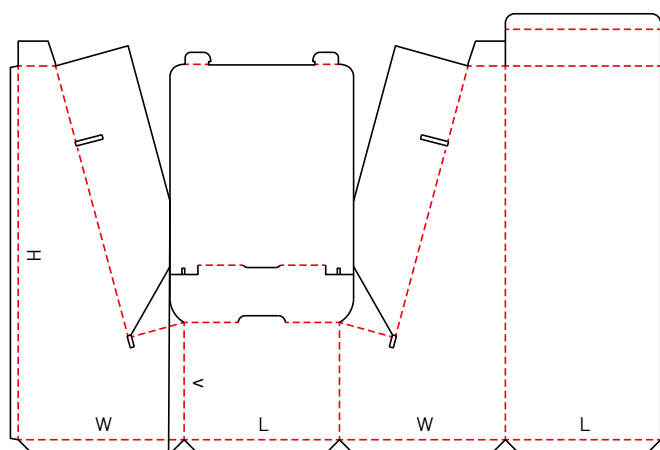
## 0870 M

NEW



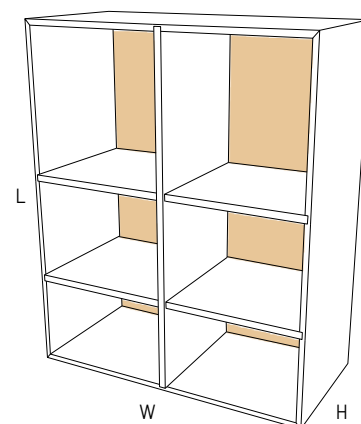
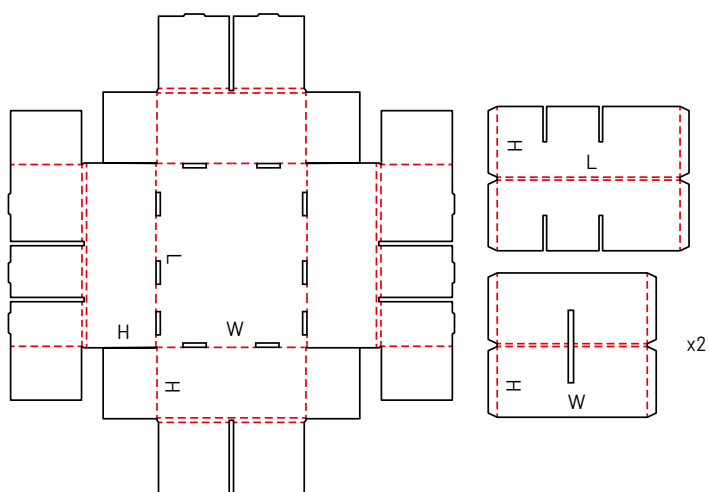
## 0871 M

NEW



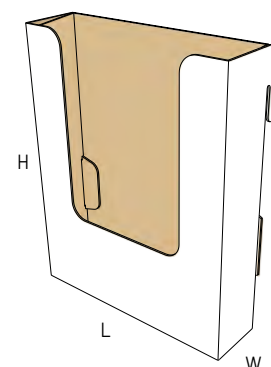
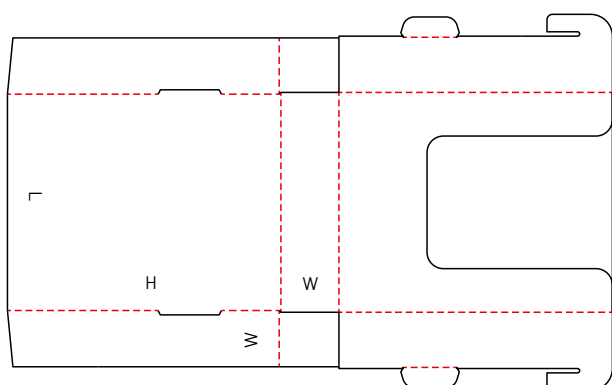
## 0872 M

NEW



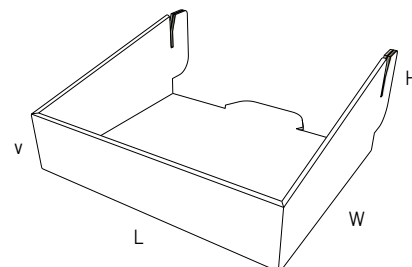
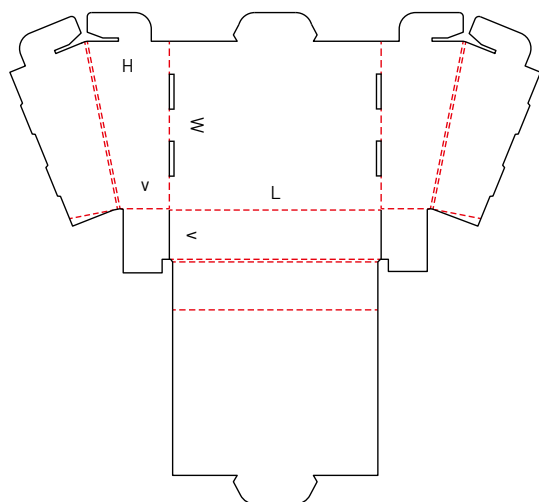
## 0873 M

NEW



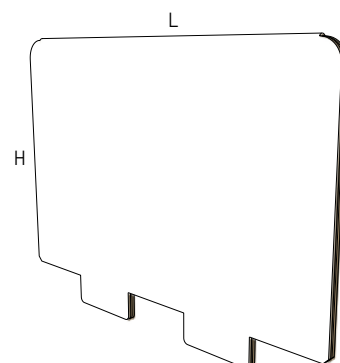
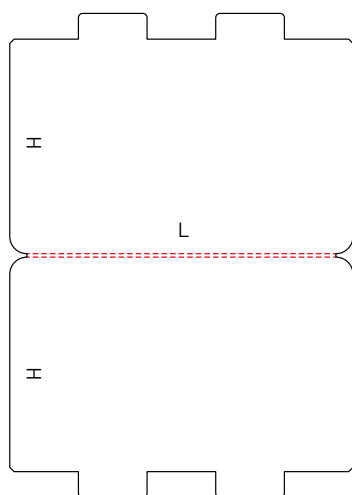
## 0874 M

NEW



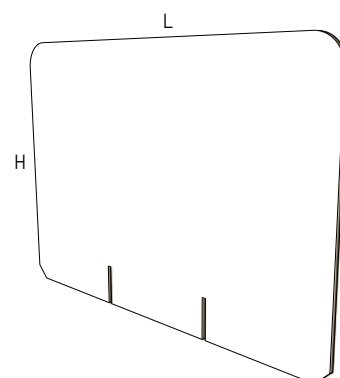
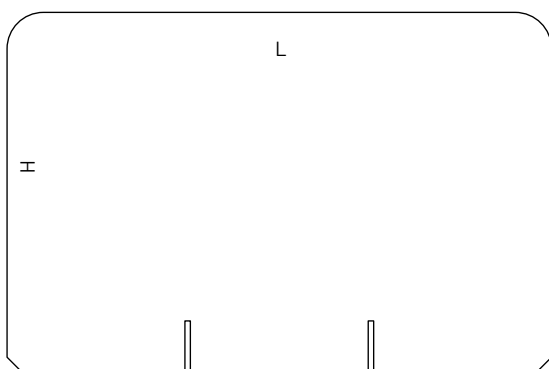
## 0880 M

NEW



## 0881 M

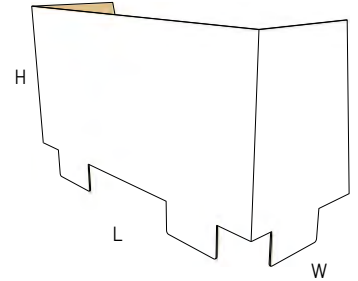
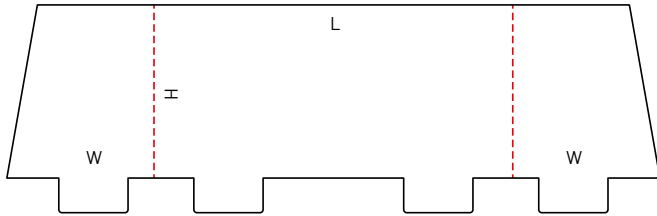
NEW





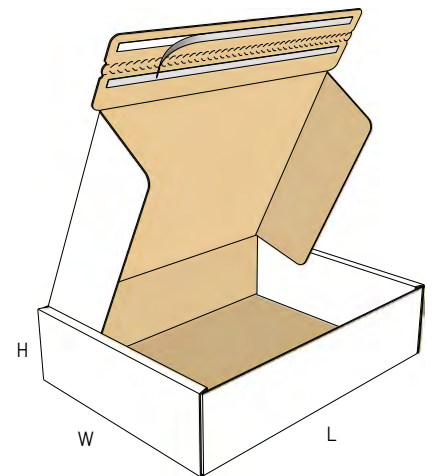
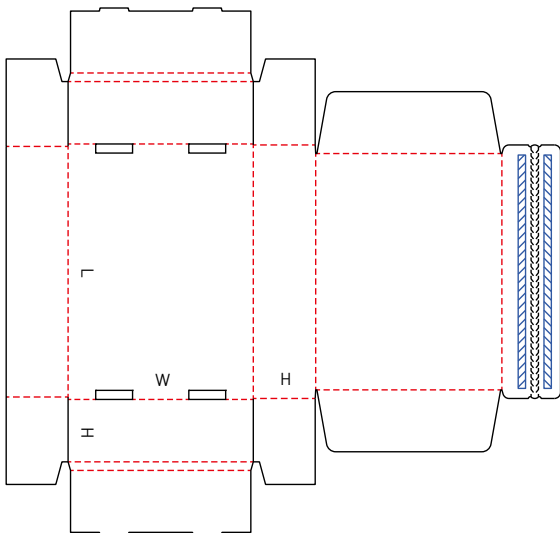
## 0882 M

NEW



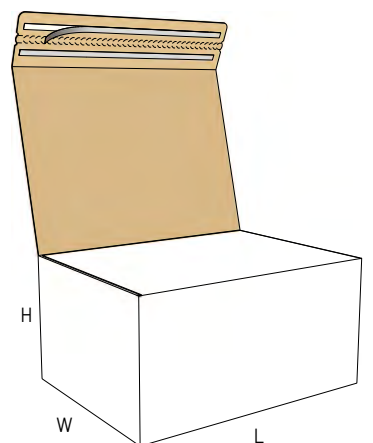
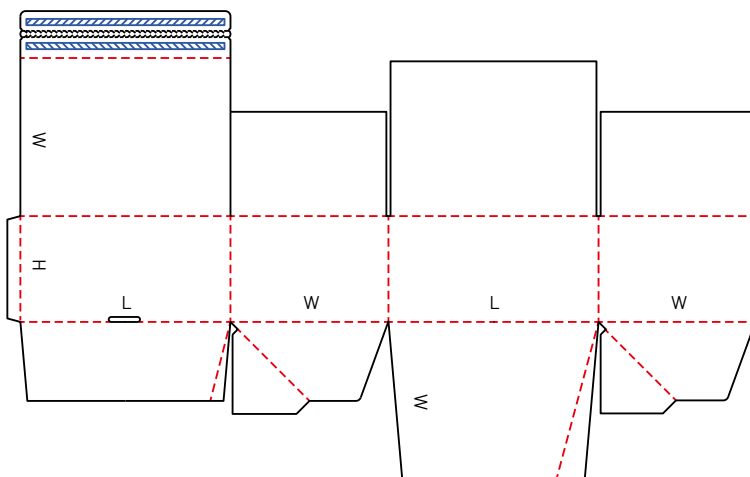
## 0885 M

NEW

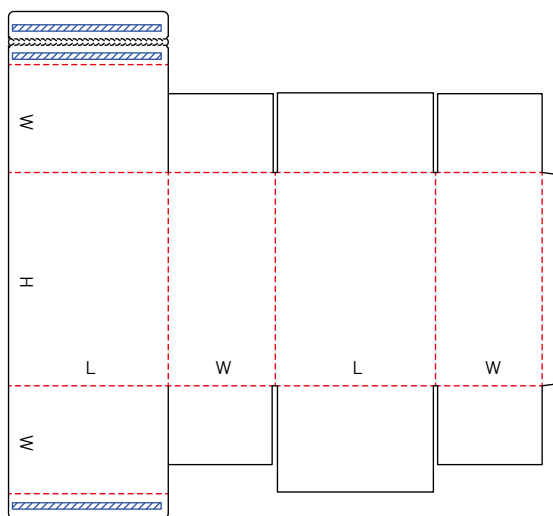


## 0886 M

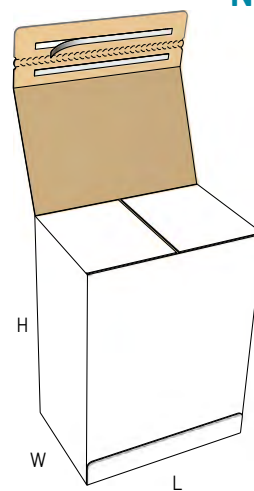
NEW



## 0887 M

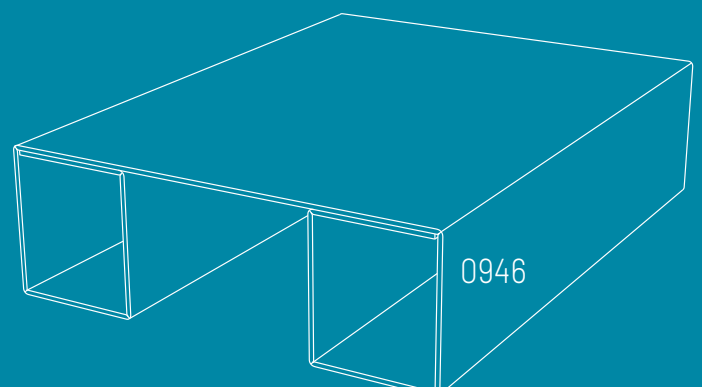
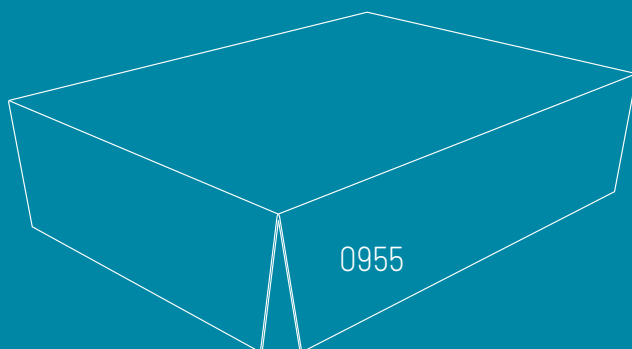
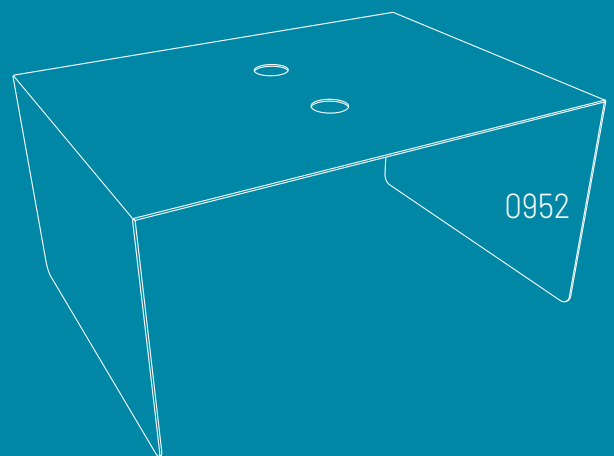
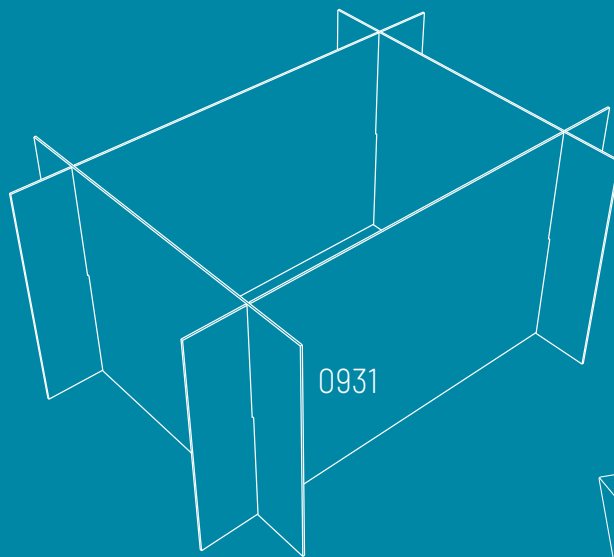


NEW

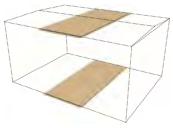


## INTERIOR FITMENTS

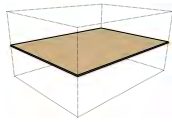
Interior fitments such as inside liners, pads, partitions, dividers, etc. whether integrated in the box design or as separate items. Any shown number of panels is arbitrary and may be increased or decreased as required.



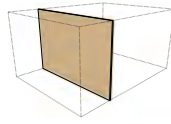
0900 M/A



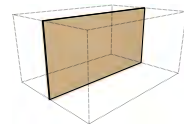
0901 M/A



0902 M/A



0903 M/A



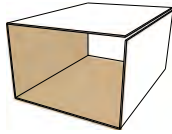
0904 M/A



0905 M/A



0906 M/A



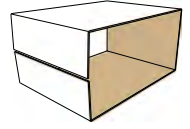
0907 M/A



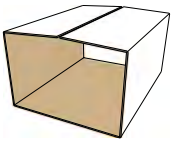
0908 M/A



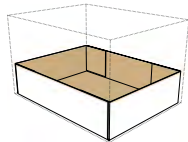
0909 M/A



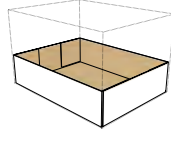
0910 M/A



0911 M/A



0912 M/A  
NEW



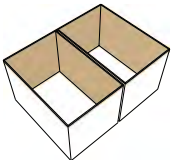
0913 M



0914 M



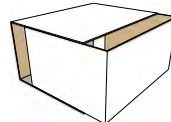
0920 M



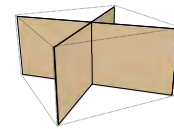
0921 M



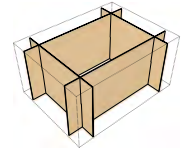
0929 M



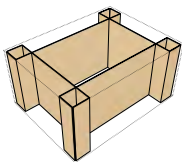
0930 M



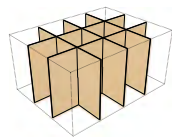
0931 M



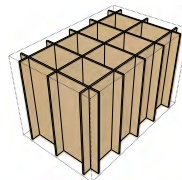
0932 M



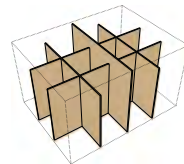
0933 M



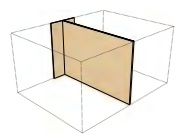
0934 M



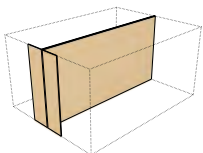
0935 M



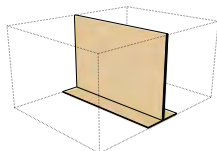
0936 M  
NEW



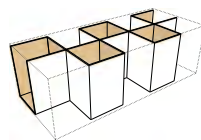
0937 M  
NEW



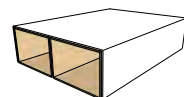
0938 M  
NEW



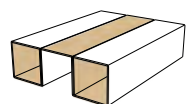
0939 M  
NEW



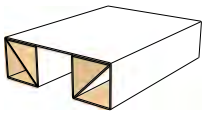
0940 M



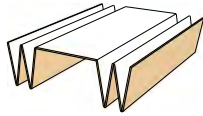
0941 M



0942 M



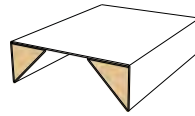
0943 M



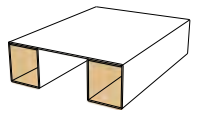
0944 M



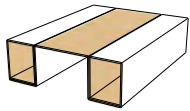
0945 M



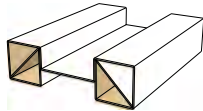
0946 M



0947 M



0948 M



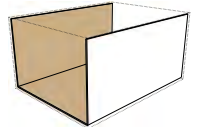
0949 M



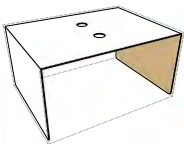
0950 M



0951 M



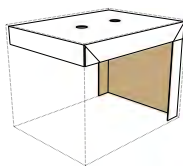
0952 M/A  
NEW



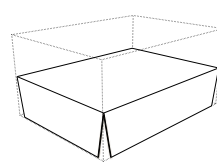
0953 M/A  
NEW



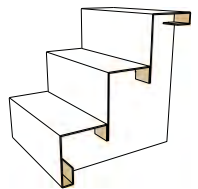
0954 M  
NEW



0955 M  
NEW



0960 M  
NEW



0965 M



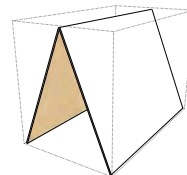
0966 M



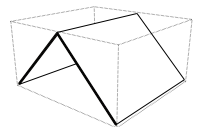
0967 M



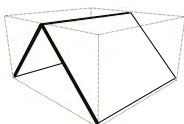
0970 M



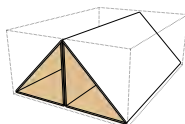
0971 M



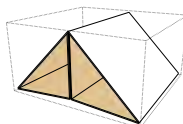
0972 M



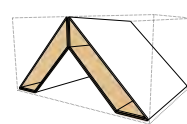
0973 M



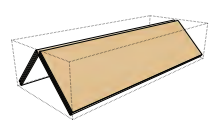
0974 M



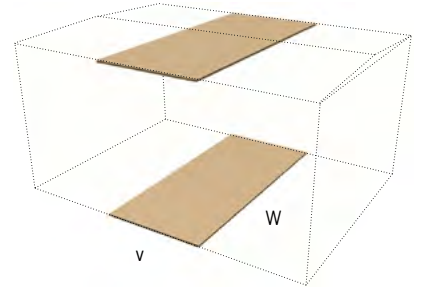
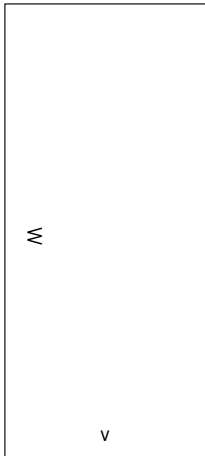
0975 M



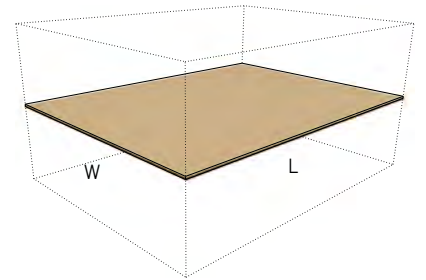
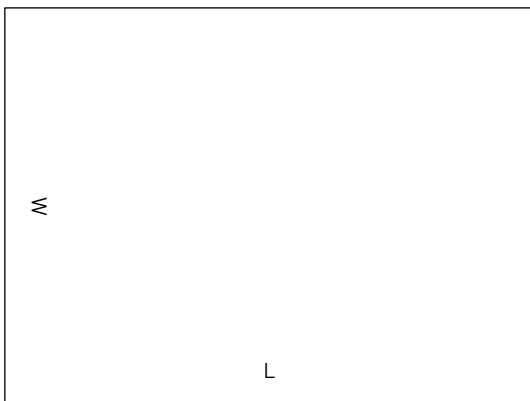
0976 M



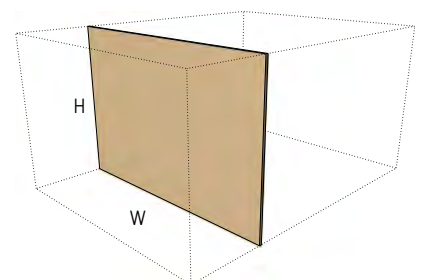
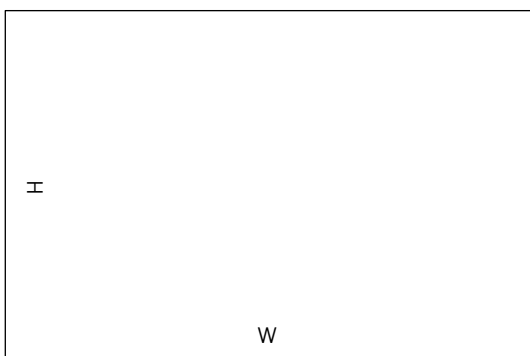
## 0900 M/A



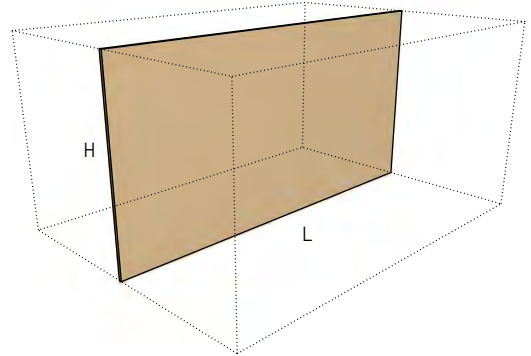
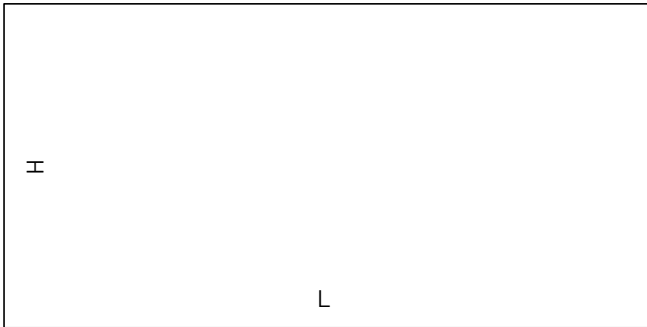
## 0901 M/A



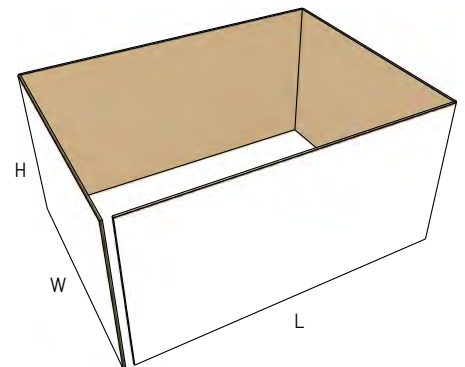
## 0902 M/A



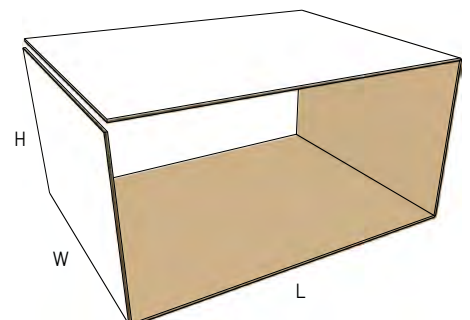
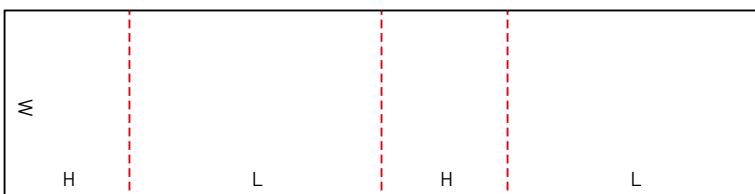
## 0903 M/A



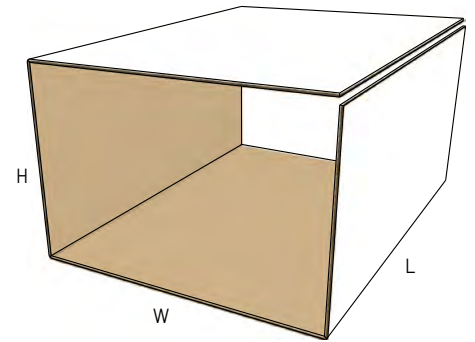
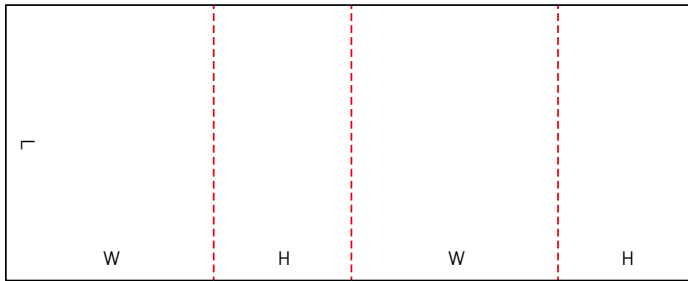
## 0904 M/A



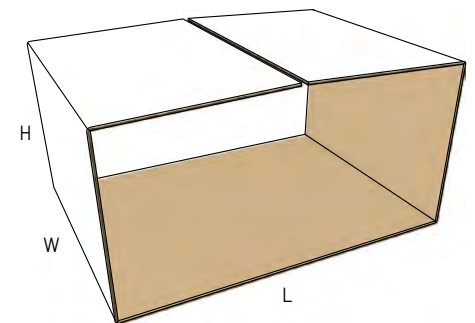
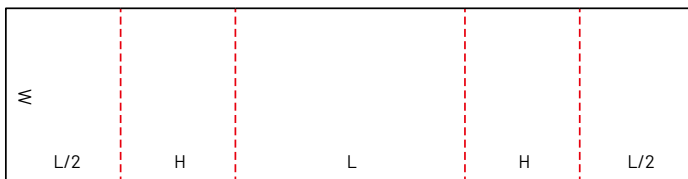
## 0905 M/A



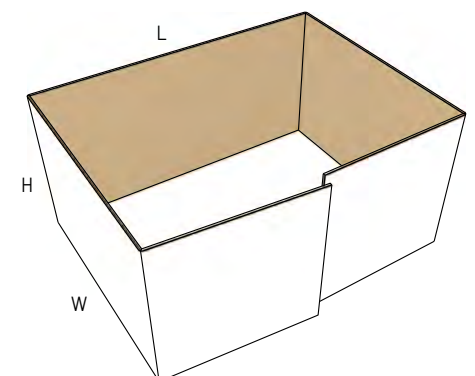
## 0906 M/A



## 0907 M/A

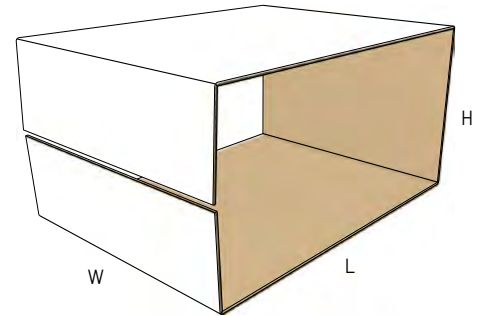
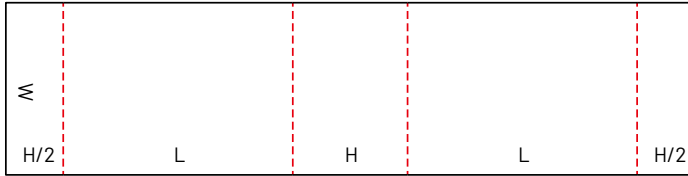


## 0908 M/A

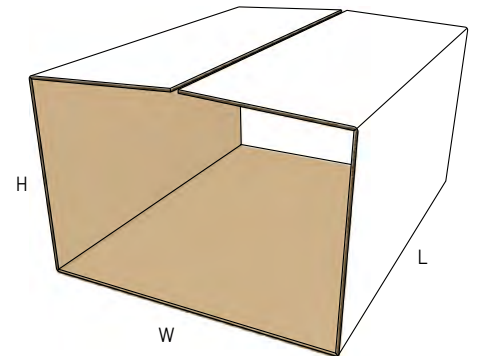
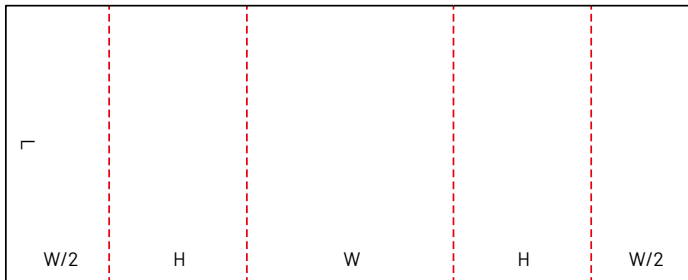




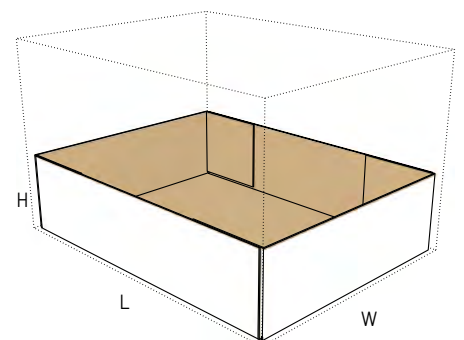
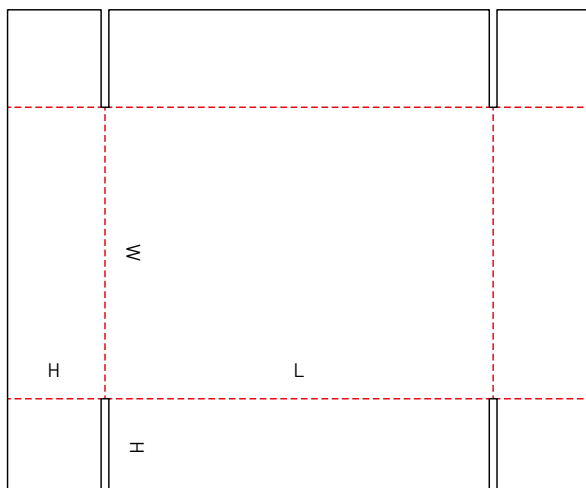
## 0909 M/A



## 0910 M/A

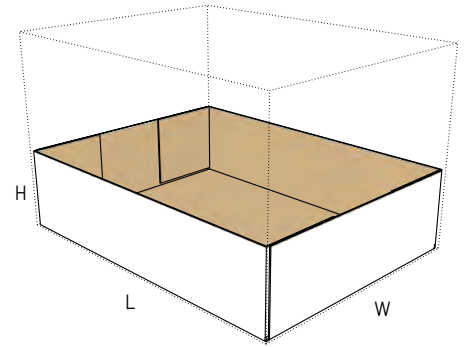
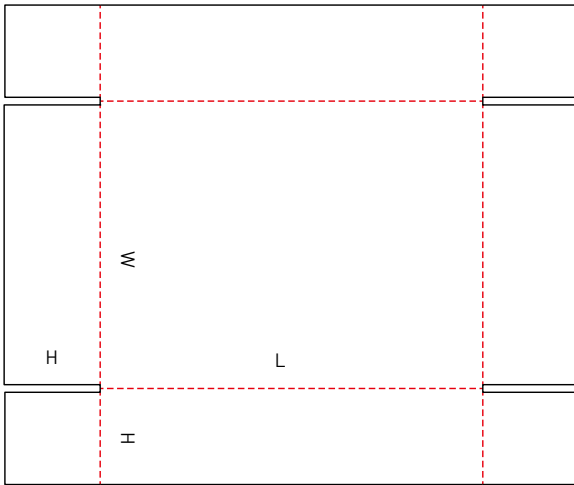


## 0911 M/A

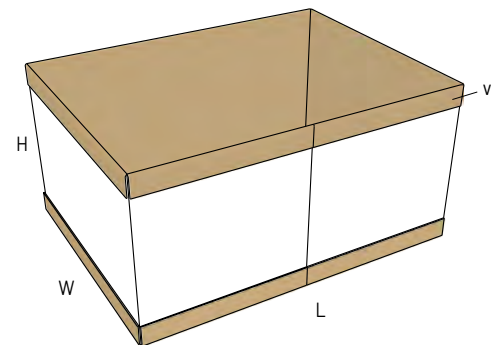
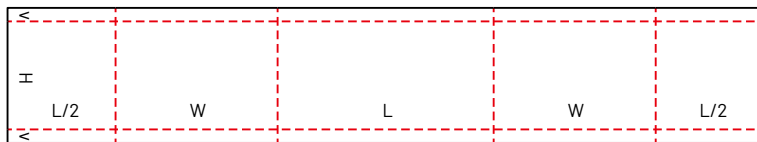


## 0912 M/A

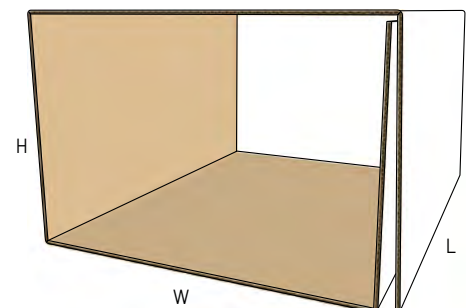
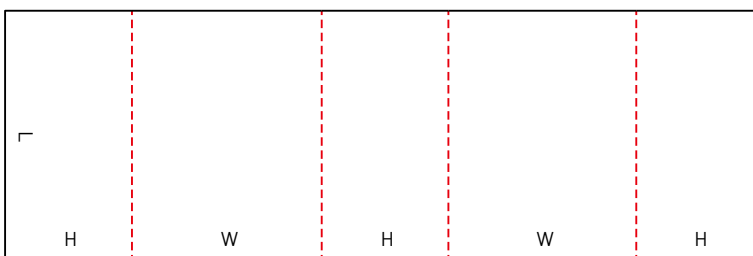
NEW



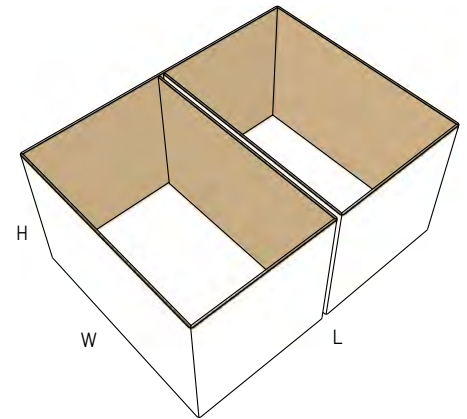
## 0913 M



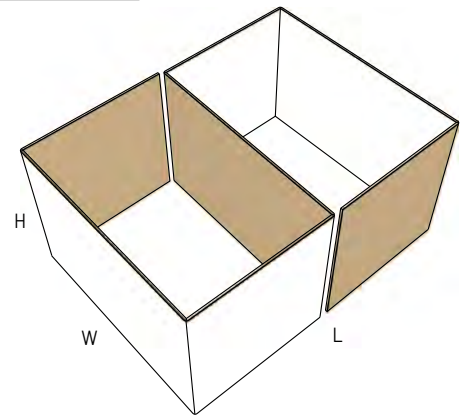
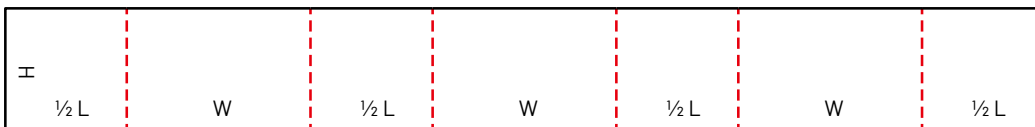
## 0914 M



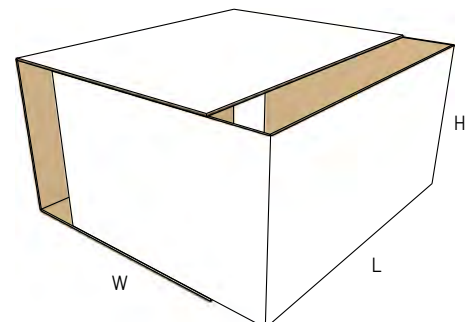
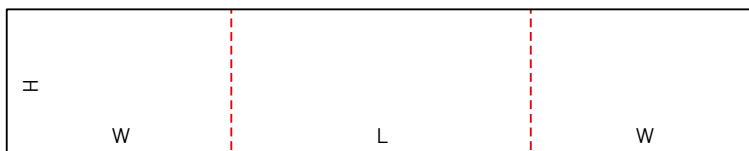
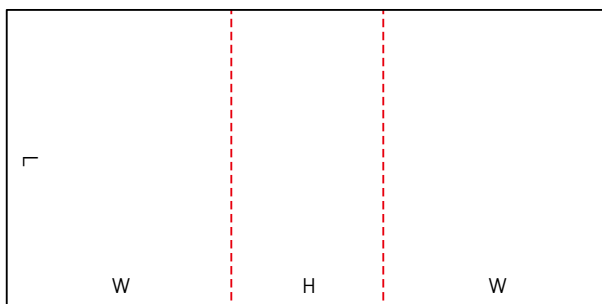
## 0920 M



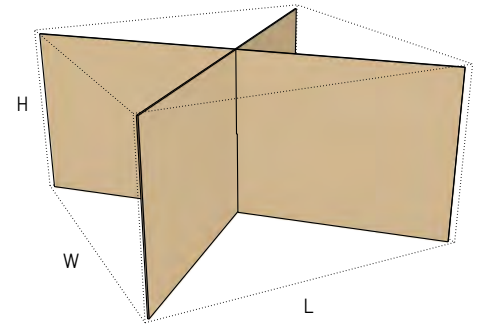
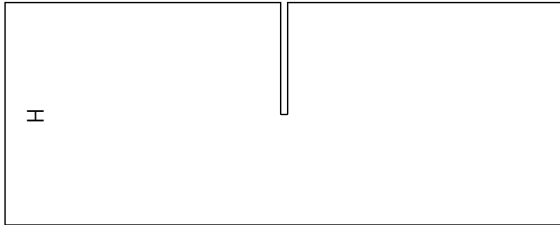
## 0921 M



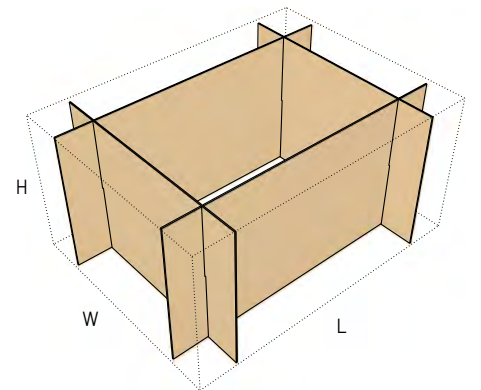
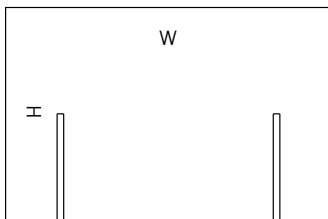
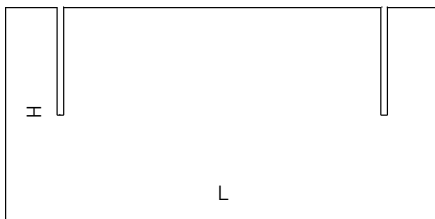
## 0929 M



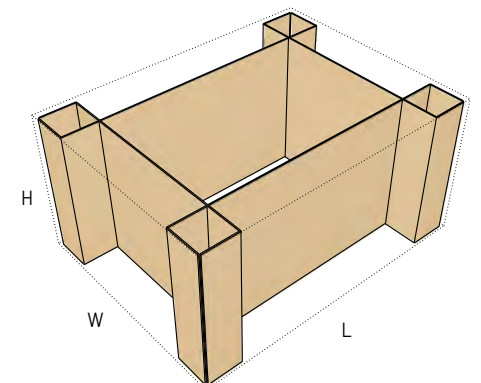
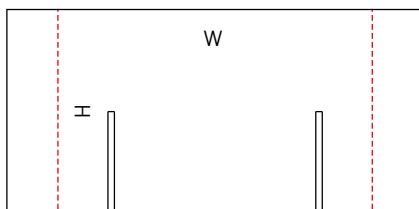
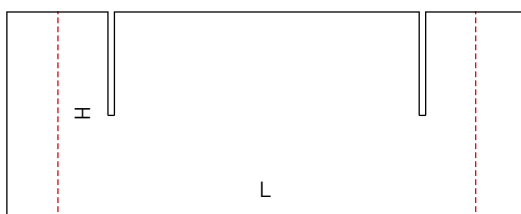
## 0930 M



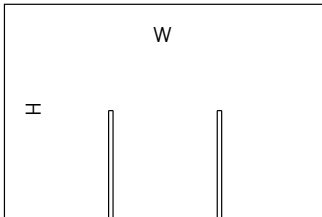
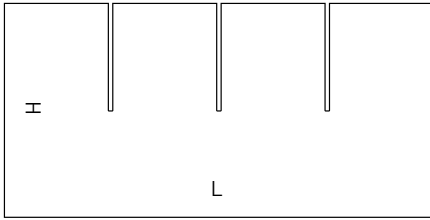
## 0931 M



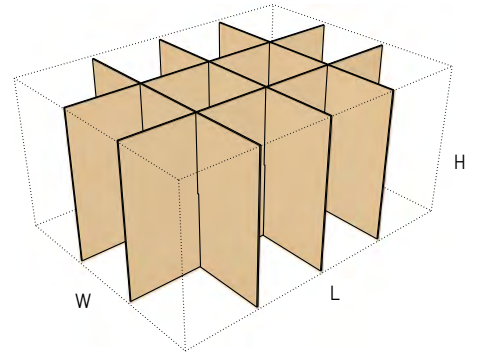
## 0932 M



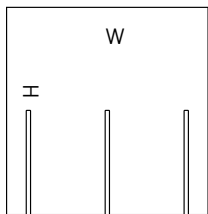
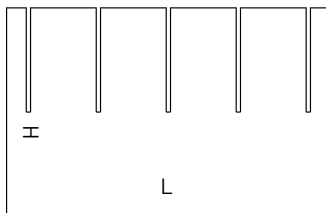
## 0933 M



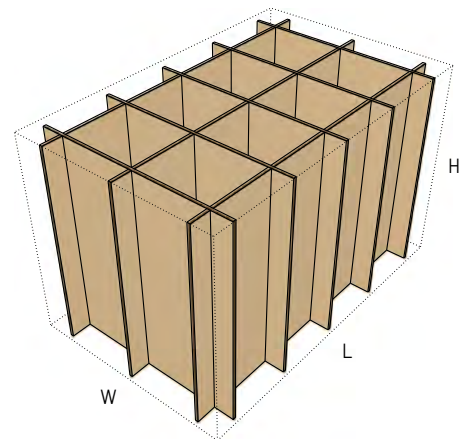
Number of cells  
defined by user.



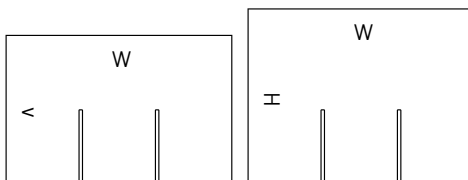
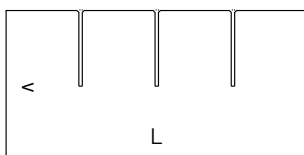
## 0934 M



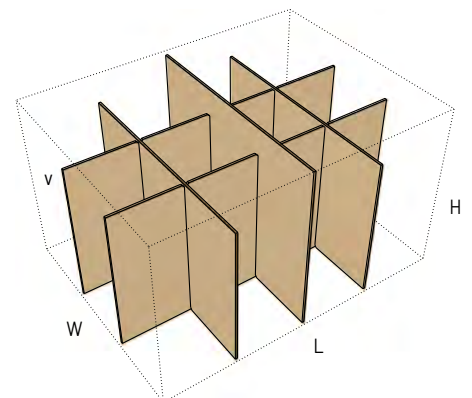
Number of cells  
defined by user.



## 0935 M

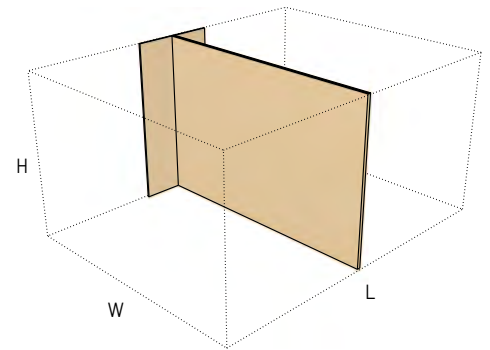


Number of cells  
defined by user.



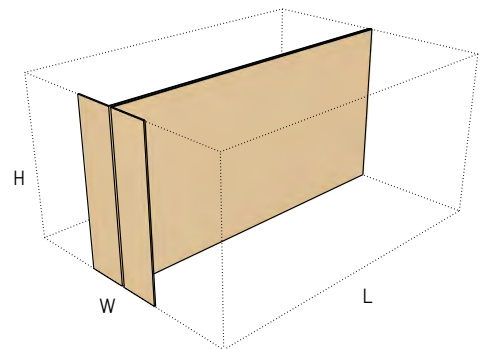
## 0936 M

NEW



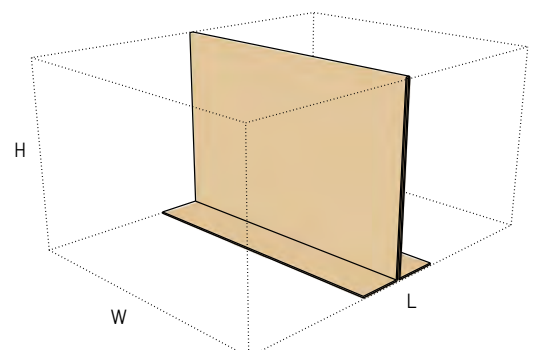
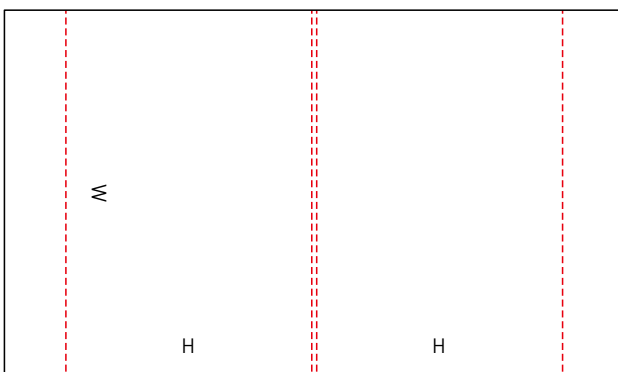
## 0937 M

NEW



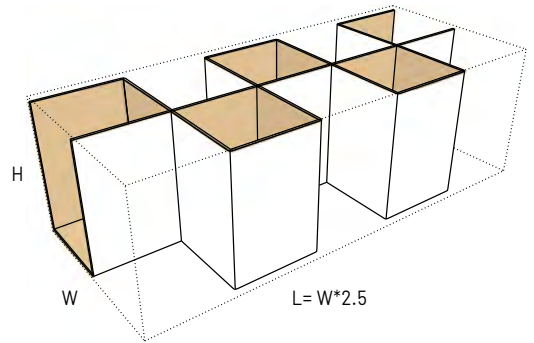
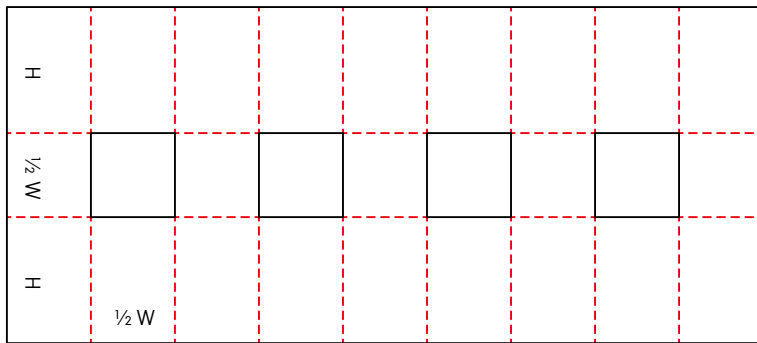
## 0938 M

NEW

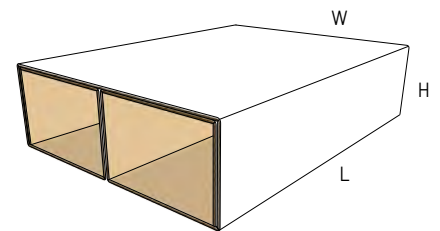
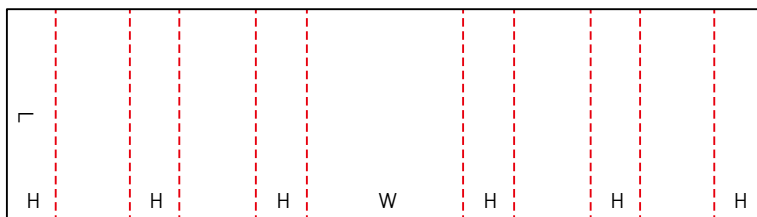


## 0939 M

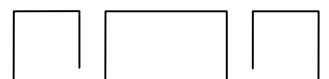
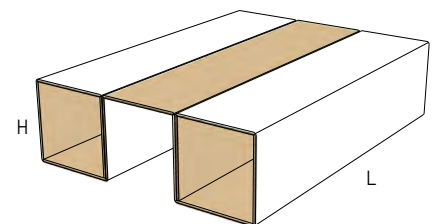
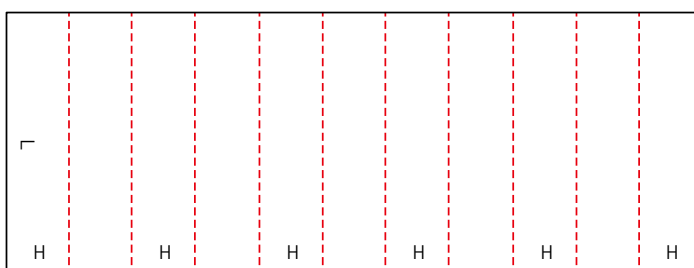
NEW



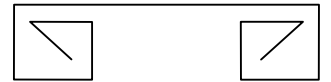
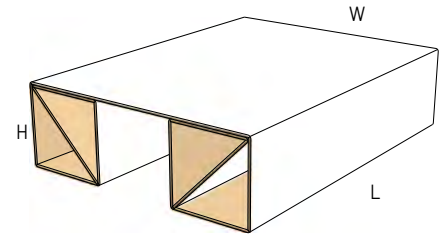
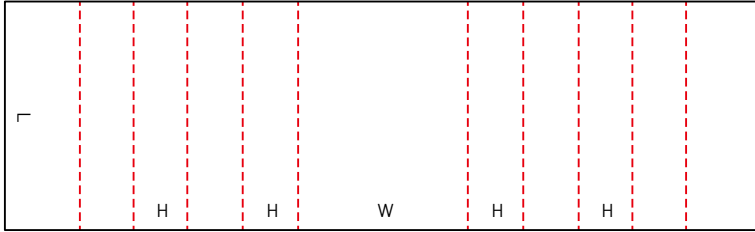
## 0940 M



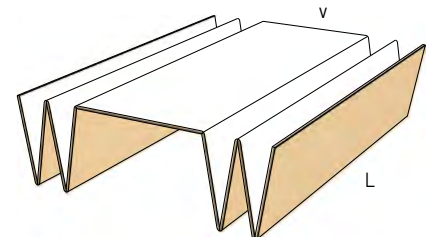
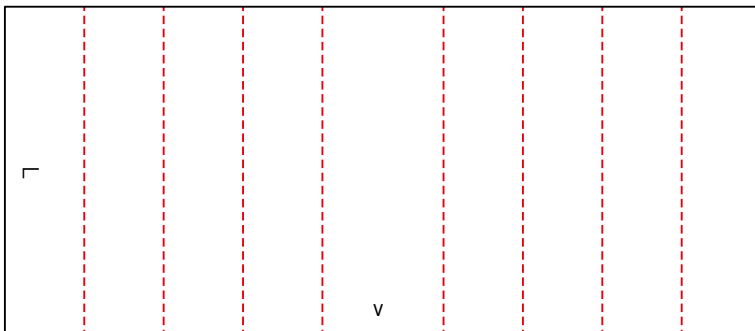
## 0941 M



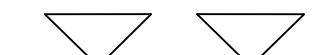
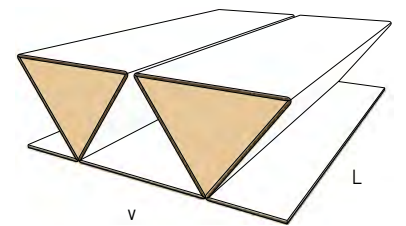
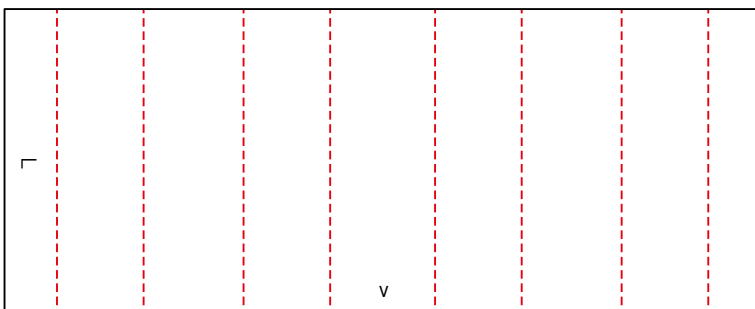
# 0942 M



# 0943 M

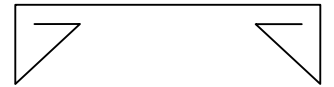
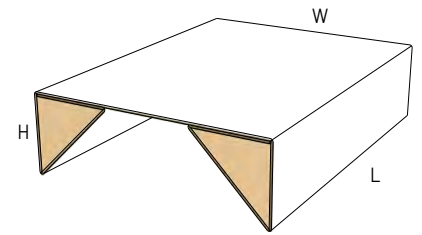
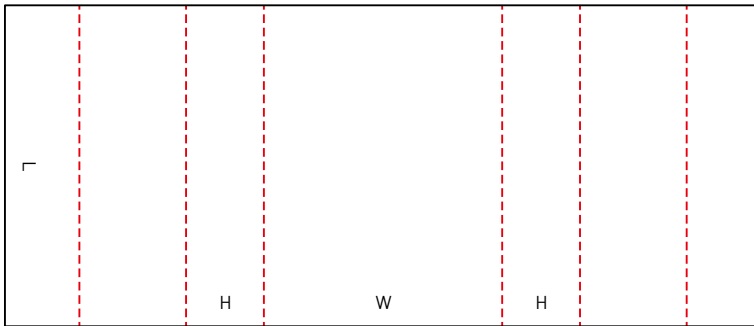


# 0944 M

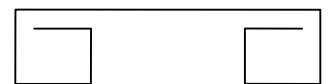
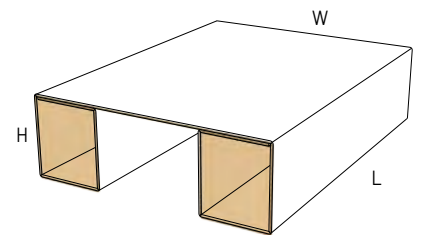
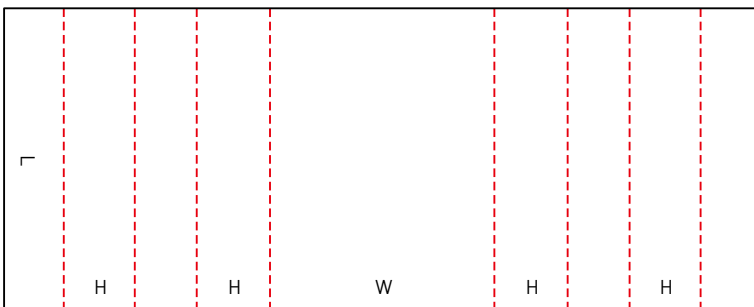




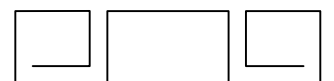
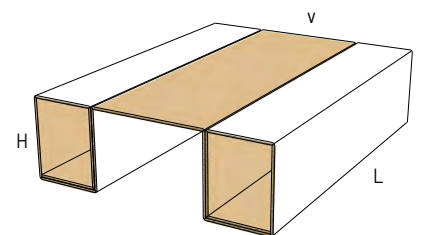
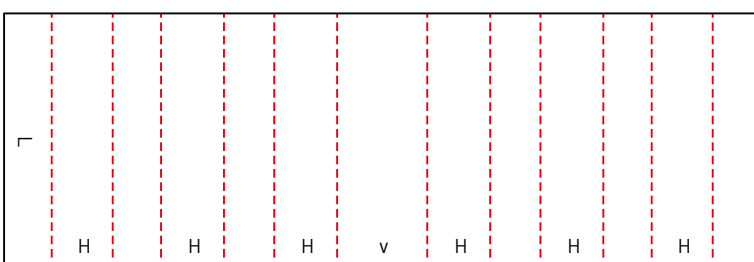
## 0945 M



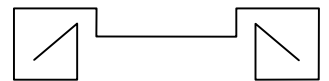
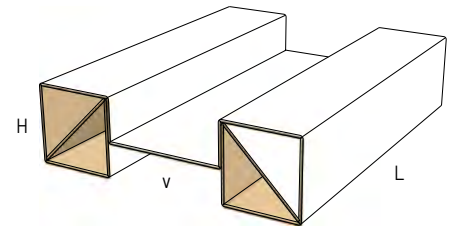
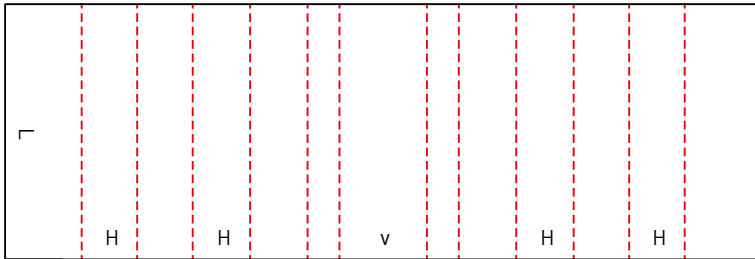
## 0946 M



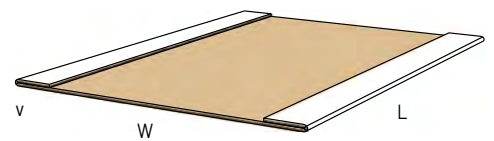
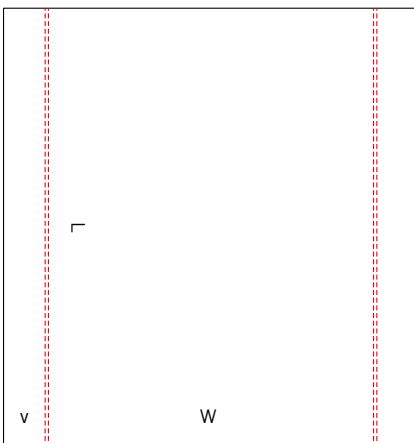
## 0947 M



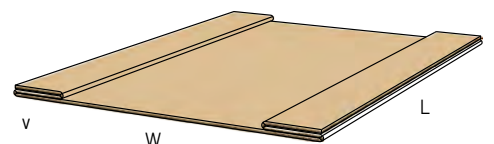
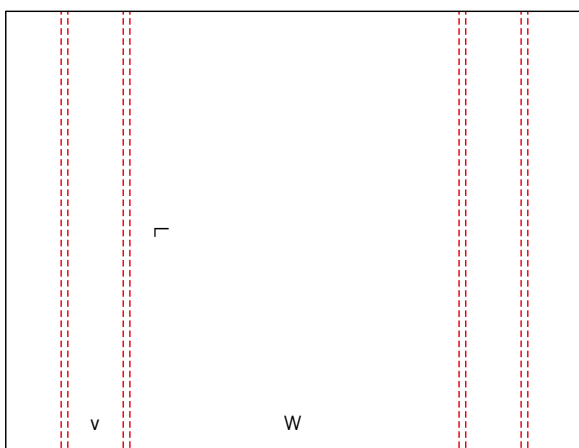
## 0948 M



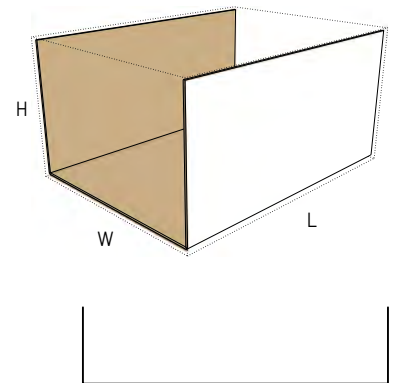
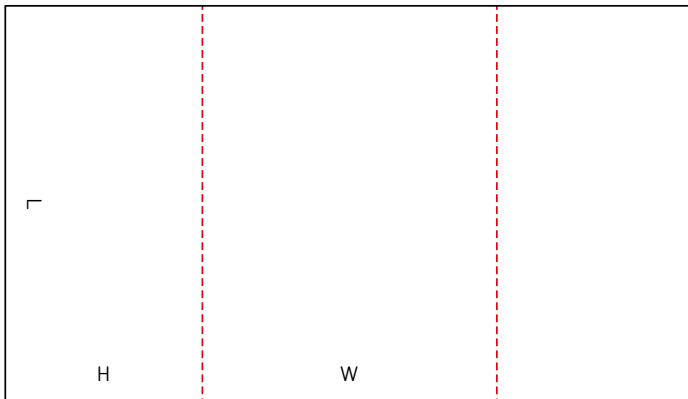
## 0949 M



## 0950 M

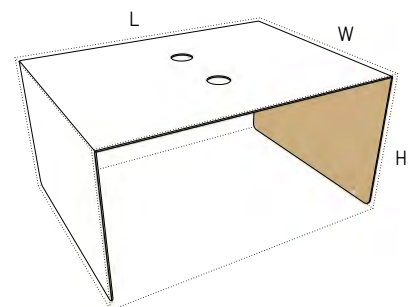
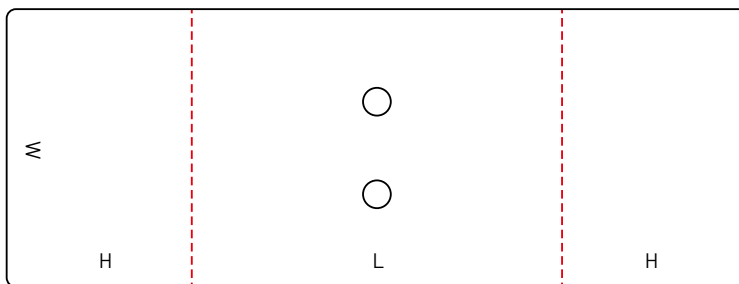


## 0951 M



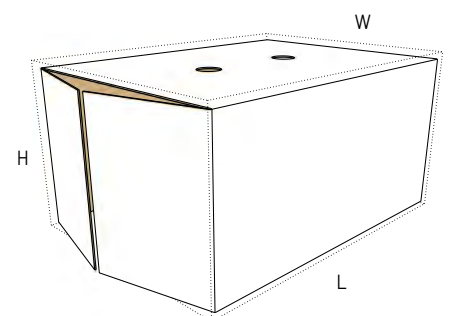
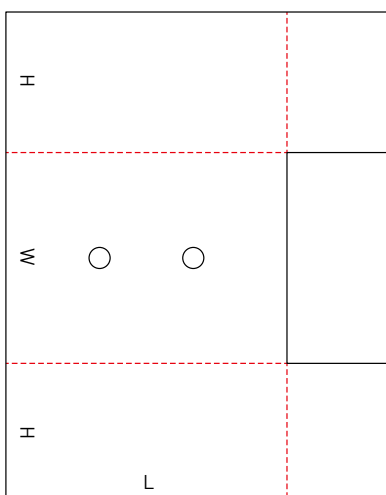
## 0952 M/A

NEW



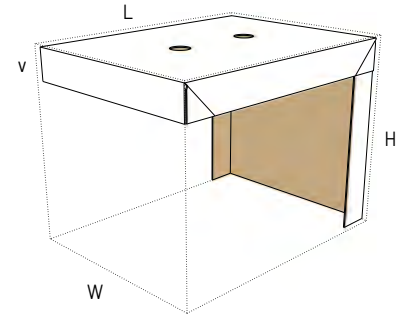
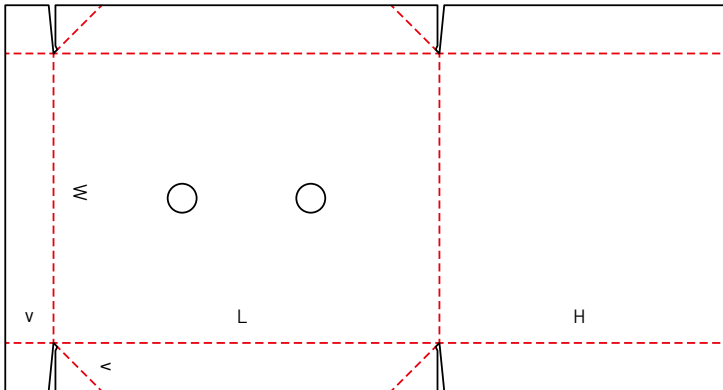
## 0953 M/A

NEW



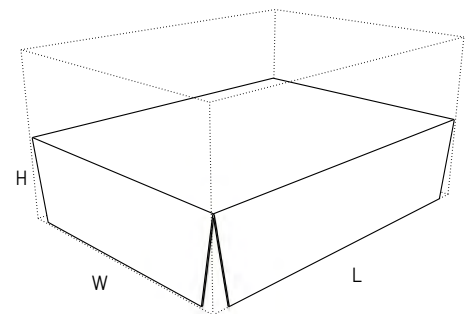
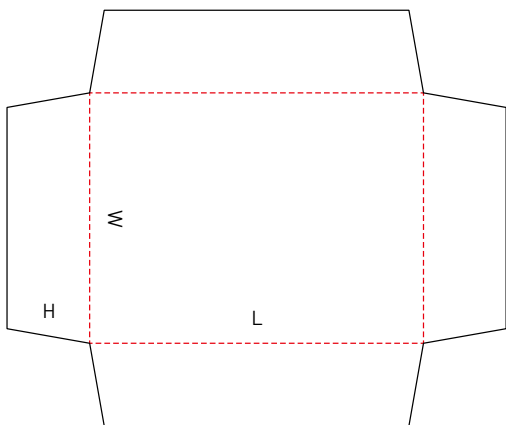
## 0954 M

NEW



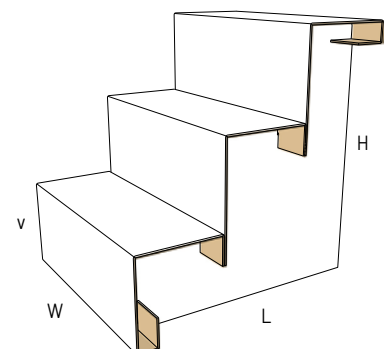
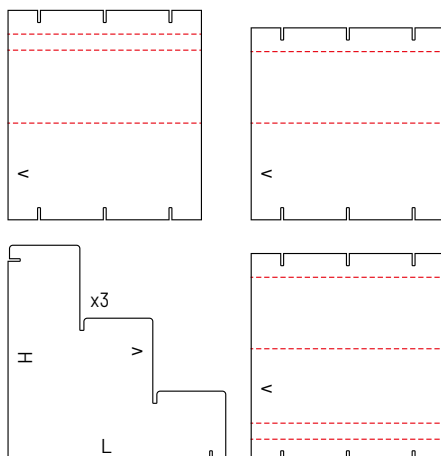
## 0955 M

NEW

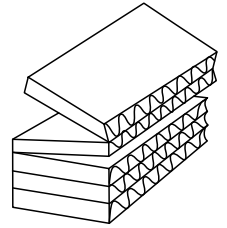
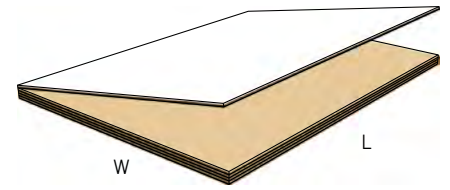


## 0960 M

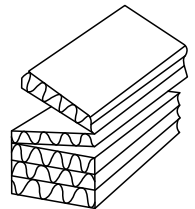
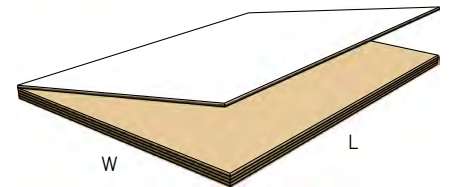
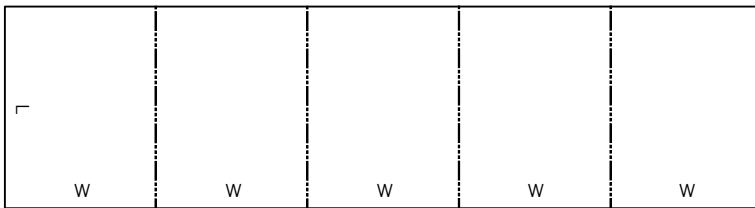
NEW



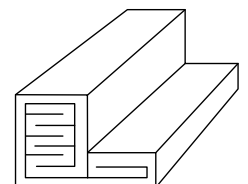
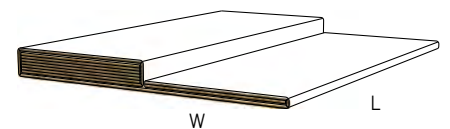
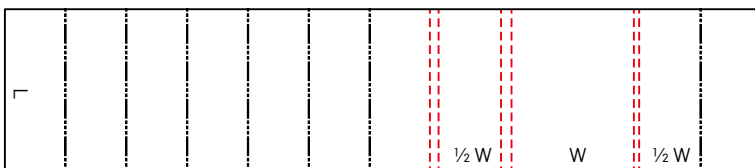
## 0965 M



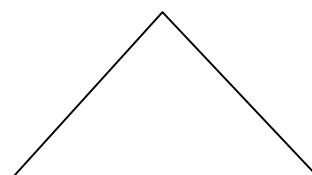
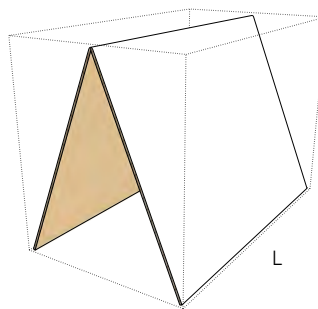
## 0966 M



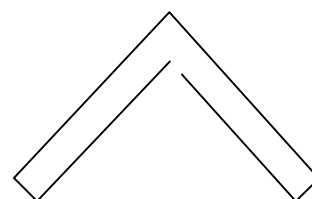
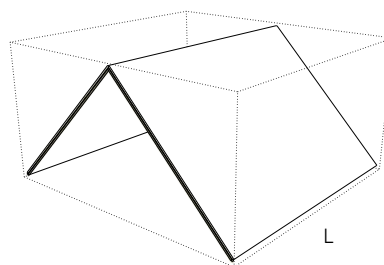
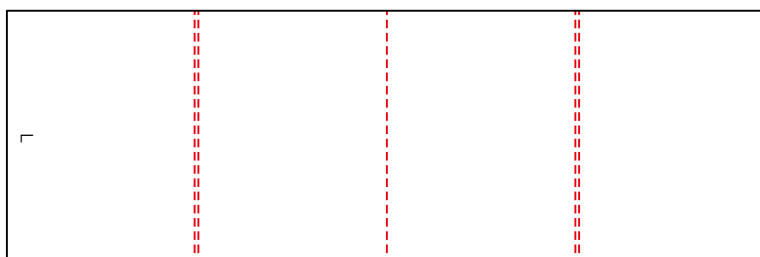
## 0967 M



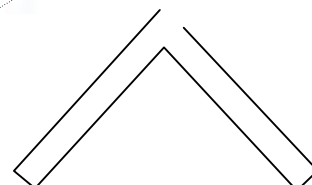
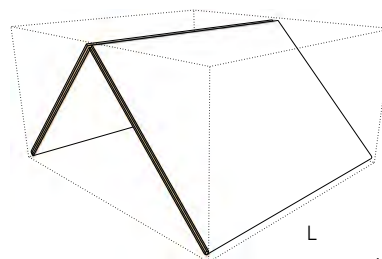
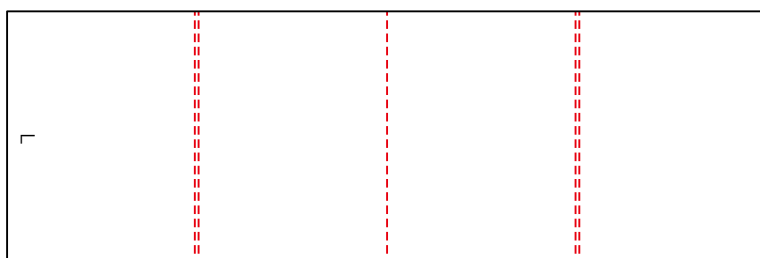
## 0970 M



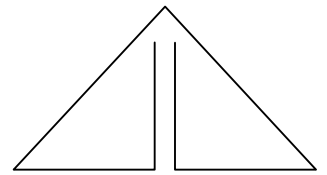
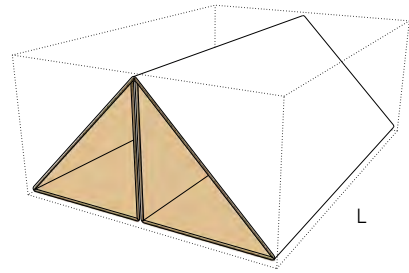
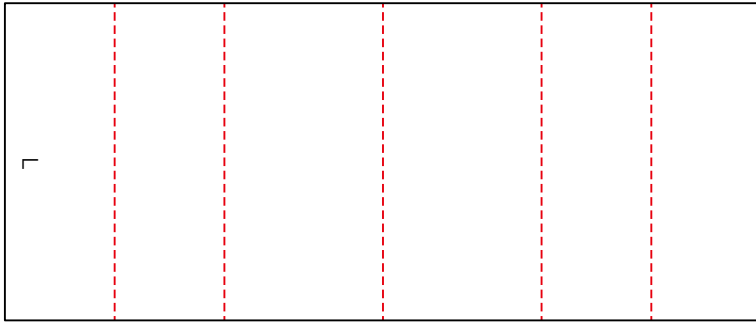
## 0971 M



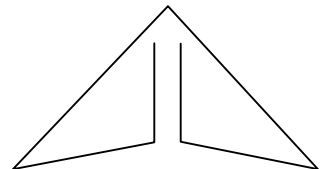
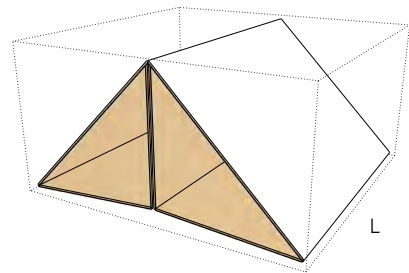
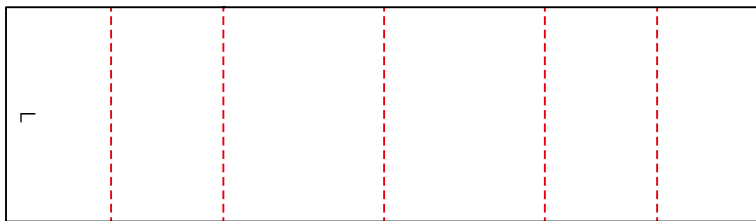
## 0972 M



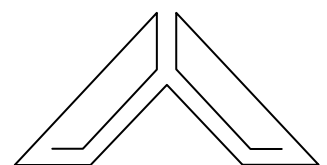
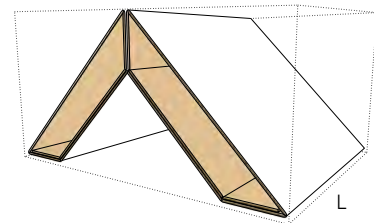
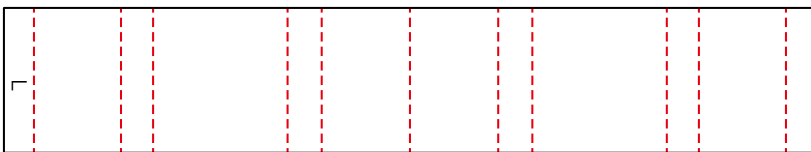
0973 M



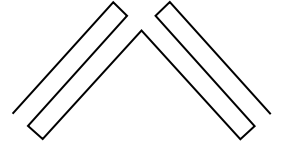
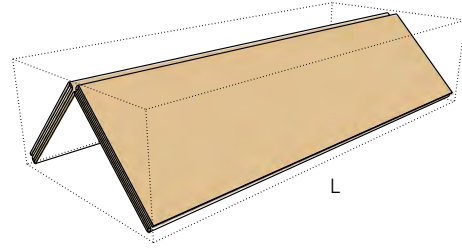
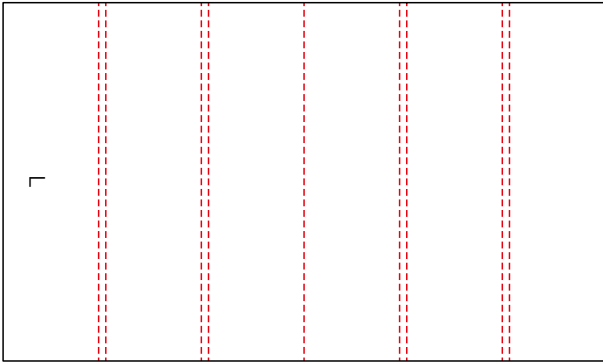
0974 M



0975 M



0976 M





# www.fefco.org



250 Avenue Louise, 1050 Brussels  
+32 2 646 4070 – info@fefco.org